



Main

Range of Product	Lexium Altivar
Range Compatibility	Lexium 05 Lexium 28 Lexium 32i Lexium 52 Altivar 32 Lexium 15 Altivar Machine ATV320 Lexium 32 Easy Lexium 16
Product compatibility	ATV32HU55N4 ATV32HU75N4 Variable speed drive ATV320 5.5 kW, 380...500 V, three phase Variable speed drive ATV320 7.5 kW, 380...500 V, three phase Variable speed drive ATV320 5.5 kW, 525...600 V, three phase Variable speed drive ATV320 7.5 kW, 525...600 V, three phase Motion servo drive LXM16D 0.75 kW, 200...230 V, single phase Motion servo drive LXM16D 1 kW, 200...230 V, single phase Motion servo drive LXM16D 1.5 kW, 200...230 V, single phase
Product or Component Type	Braking resistor
Ohmic value	27 Ohm

Complementary

Energy peak	10500 J 480 V 11400 J 400 V 18100 J 230 V 25500 J 115 V
Average power available	100 W 122 °F (50 °C)
Continuous power	400 W
Protection Type	Thermal protection via the servo drive
Net Weight	3.57 lb(US) (1.62 kg)
Cable length	9.84 ft (3 m)

Environment

IP Degree of Protection	IP65
Ambient Air Temperature for Storage	-13...185 °F (-25...85 °C)
Ambient Air Temperature for Operation	32...122 °F (0...50 °C)

Ordering and shipping details

Category	18263-LEXIUM 32 ACCESSORIES
Discount Schedule	PC51
GTIN	3389119207195
Returnability	No
Country of origin	DE

Packing Units

Unit Type of Package 1	PCE
Number of Units in Package 1	1
Package 1 Height	1.77 in (4.500 cm)
Package 1 Width	5.12 in (13.000 cm)
Package 1 Length	15.75 in (40.000 cm)
Package 1 Weight	3.80 lb(US) (1.725 kg)
Unit Type of Package 2	S03
Number of Units in Package 2	6
Package 2 Height	11.81 in (30.000 cm)
Package 2 Width	11.81 in (30.000 cm)
Package 2 Length	15.75 in (40.000 cm)
Package 2 Weight	24.85 lb(US) (11.273 kg)
Unit Type of Package 3	S06
Number of Units in Package 3	48
Package 3 Height	28.94 in (73.500 cm)
Package 3 Width	23.62 in (60.000 cm)
Package 3 Length	31.50 in (80.000 cm)
Package 3 Weight	212.68 lb(US) (96.472 kg)

Offer Sustainability

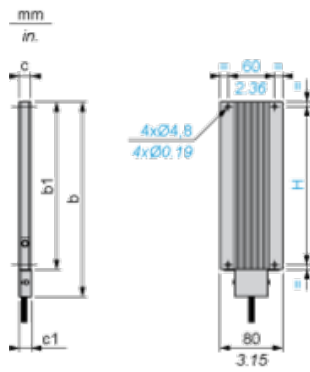
California proposition 65	WARNING: This product can expose you to chemicals including: Lead and lead compounds, which is known to the State of California to cause cancer and birth defects or other reproductive harm. For more information go to www.P65Warnings.ca.gov
REACH Regulation	 REACH Declaration
REACH free of SVHC	Yes
EU RoHS Directive	Pro-active compliance (Product out of EU RoHS legal scope)
Mercury free	Yes
China RoHS Regulation	 China RoHS Declaration
RoHS exemption information	 Yes
PVC free	Yes

Contractual warranty

Warranty	18 months
----------	-----------

Braking Resistor

Dimensions



Dimensions in mm

b	b1	c	c1	H
257	216	30	–	204

Dimensions in in.

b	b1	c	c1	H
10.11	8.50	1.18	–	8.03