



MARCUS

Marcus Transformer LTD
 Phone: 1-800-267-7376
 Fax: 1-866-205-7526
 Email: Info@marcustransformer.com

MODEL:AMTH 15A1 **3-PHASE ISOLATING**

DRAWING FOR APPROVAL

DESCRIPTION

Type	DRY TYPE DISTRIBUTION (ANN)
KVA	15
Primary (Volts)	600
Secondary (Volts)	208Y / 120
Phase	3
Enclosure	NEMA 3R
Impedance (%Z)	5
Insulation Class	220°C
Temperature Rise	150°C
Frequency	60Hz
Weight (LBS/KG)	180 / 79
Connection	Dyn1
BIL.	10KV
Primary connectors per phase : #14-#4	
Secondary connectors per phase: #8-2/0	

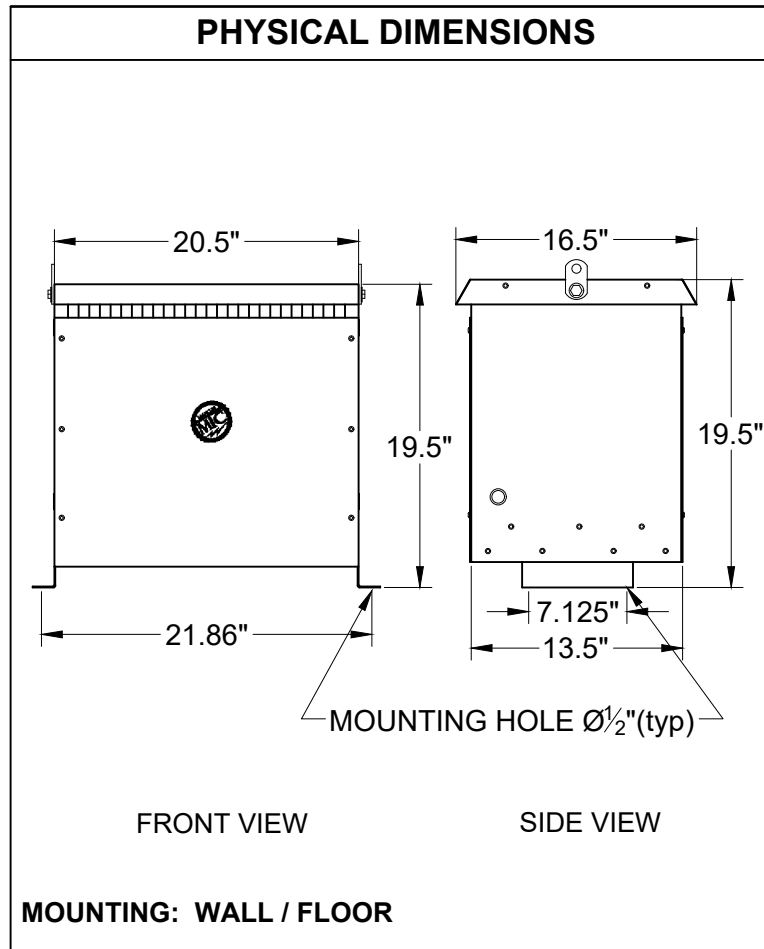
PERFORMANCE

No load loss	93W
Load loss 100%	421W
Noise level	45dB

EFFICIENCY

35%			Efficiency = 97.89% (As per NRCAN 2019)

PHYSICAL DIMENSIONS



WIRING CONNECTION:

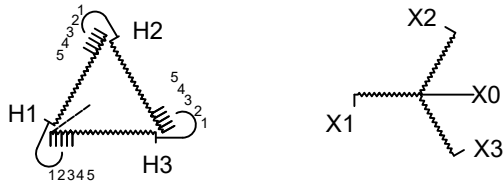
Primary: H1,H2,H3

Voltage	% Tap	Jumpers To:
630	105.0	1-1-1
615	102.5	2-2-2
600	100.0	3-3-3
585	97.5	4-4-4
570	95.0	5-5-5

Secondary:

Voltage	Phase	connect Loads To:
208	3	X1-X2-X3
120	1	X0-X1, X0-X2 and/or X0-X3

VECTOR GROUP:



FEATURES:

- Anti-vibration pads installed between the core/coil and the enclosure
- Ground lug provided
- Leads brought-up and solidly positioned into separate terminal boards
- CSA enclosure: ventilated painted ASA 61gray
- Transformer meets the efficiency values as per NRCAN 2019 / DOE 2016
- Copper ground strap between core/coil and enclosure
- CSA certified
- Aluminium windings

Project	
Engineer	
Revision Date	

COMMENTS

--