

MASS:
 CAT. NO.: PDA-11-2/0-1

TOLERANCES-UNLESS OTHERWISE SPECIFIED
 2 PL. DEC. ±.015 TRUE C.L. ±.015
 3 PL. DEC. ±.015 ANGLES ±1

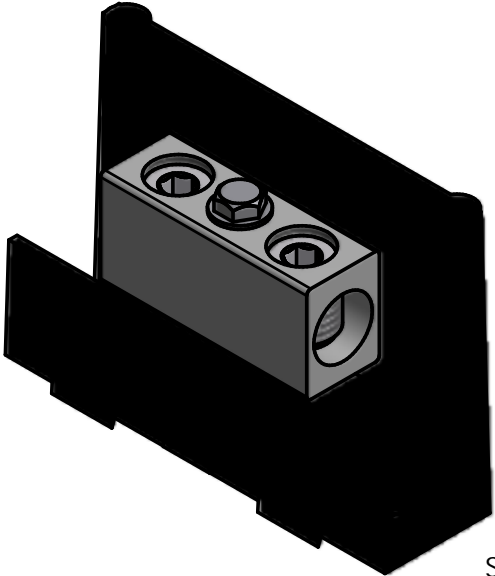
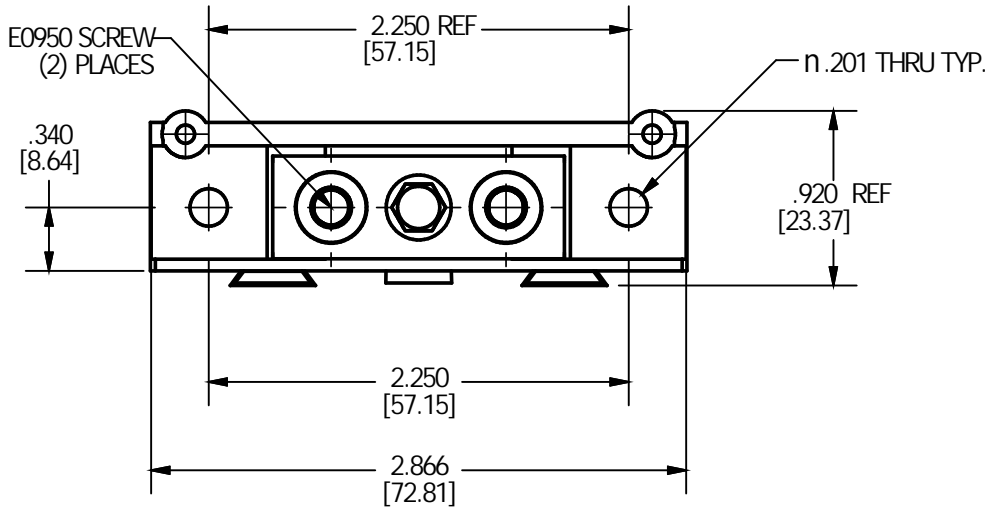
DWG. NO.
M2624
 SHEET 1 OF 1



DRAWN BY: CLH SCALE: 1:1
 DATE: 12/11/2007 SIZE: A

REV.	DESCRIPTION

Cat #: PDA-11-2/0-1



SCALE 1 : 1

