

Main

Range of Product	Harmony Pocket Remote
Product or Component Type	Base station
Device short name	ZARB

Complementary

Cable entry	Cable pre-wired
Material	ABS + PC
[Us] rated supply voltage	12...24 V DC
Provided Equipment	Internal antenna
Number of relays	5
Relay type	Motion relay outputs 5 C/O Auxiliary relay outputs
Safety outputs	2 NC relay outputs
Maximum switching current	10 A AC
Maximum switching voltage	240 V AC +/- 20 %)
Communication network type	Wireless
Transmission frequency	2.4 GHz
Maximum sensing distance	984.25 ft (300 m) in free field
Fixing Mode	4 holes
Electrical durability	100000 cycles
Mechanical durability	10000000 cycles
Width	4.72 in (120 mm)
Height	4.61 in (117 mm)
Depth	2.01 in (51 mm)
Net Weight	0.88 lb(US) (0.40 kg)

Environment

IP degree of protection	IP66
Radio agreement	FCC IC
Relative humidity	0...97 %
Ambient Air Temperature for Operation	-4...131 °F (-20...55 °C)
Ambient Air Temperature for Storage	-40...158 °F (-40...70 °C)
Product Certifications	CE

Ordering and shipping details

Category	22467-PUSHBUTTONS,22MM(PLASTIC) NEW
Discount Schedule	CS2
GTIN	3606481499417
Returnability	No

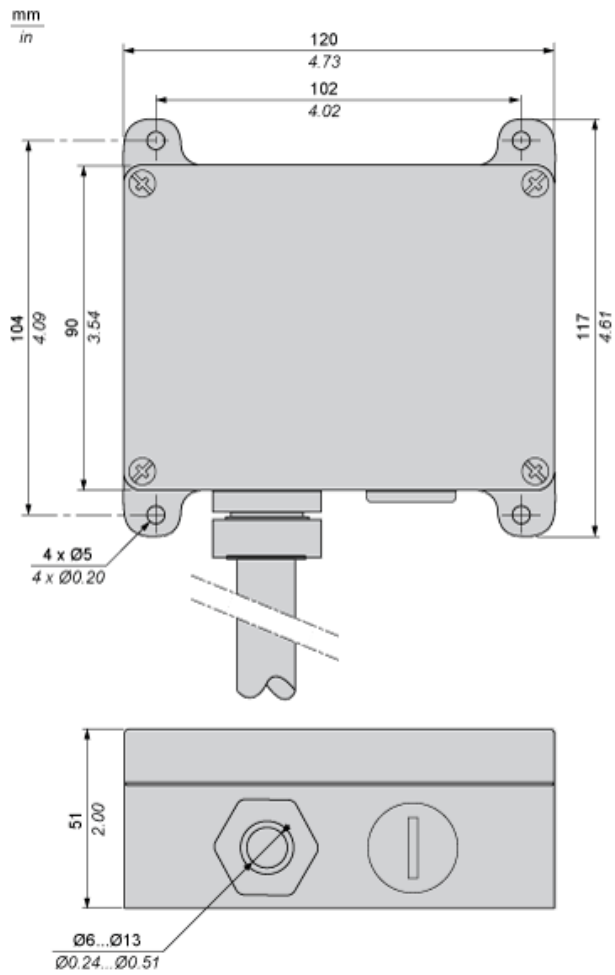
Packing Units

Unit Type of Package 1	PCE
Number of Units in Package 1	1
Package 1 Height	2.95 in (7.5 cm)
Package 1 Width	7.28 in (18.5 cm)
Package 1 Length	8.86 in (22.5 cm)
Package 1 Weight	31.75 oz (900.0 g)
Unit Type of Package 2	S03
Number of Units in Package 2	7
Package 2 Height	11.81 in (30.0 cm)
Package 2 Width	11.81 in (30.0 cm)
Package 2 Length	15.75 in (40.0 cm)
Package 2 Weight	14.87 lb(US) (6.745 kg)

Offer Sustainability

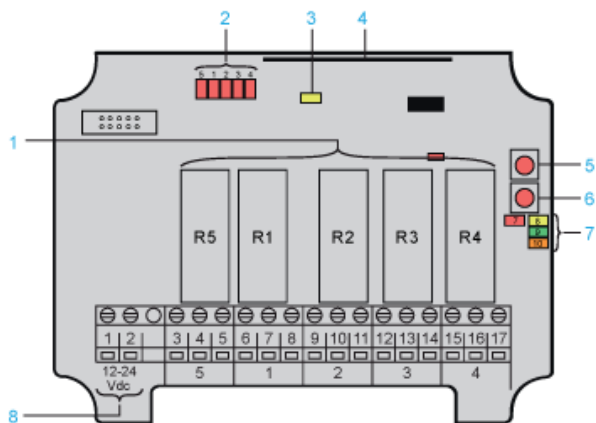
California proposition 65	WARNING: This product can expose you to chemicals including: Nickel compounds, which is known to the State of California to cause cancer, and Di-isodecyl phthalate (DIDP), which is known to the State of California to cause birth defects or other reproductive harm. For more information go to www.P65Warnings.ca.gov
EU RoHS Directive	Pro-active compliance (Product out of EU RoHS legal scope)
Mercury free	Yes
China RoHS Regulation	China RoHS Declaration
RoHS exemption information	Yes
WEEE	The product must be disposed on European Union markets following specific waste collection and never end up in rubbish bins.

Receiver Dimensions

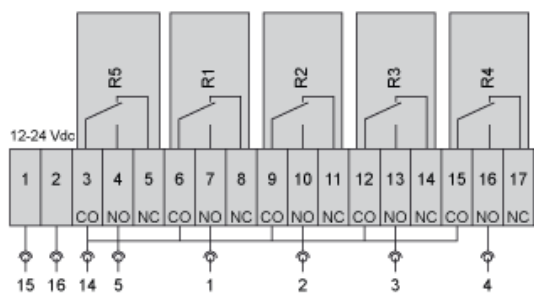


Receiver Wiring

Bottom layer



Part	Description
1	Relays R1...R5
2	Relays LEDs (red)
3	Power LED (yellow)
4	Radio module
5	Function button (cancel)
6	Select button (OK)
7	Function LEDs (7 = red, 8 = yellow, 9 = green, 10 = orange)
8	Terminal block for input power



Signal	Cable no.
Power supply / +	15
Power supply / -	16
Relay R5	Common
Output (NO type)	5
Output (NC type)	-
Relay R1	Common
Output (NO type)	1
Output (NC type)	-
Relay R2	Common
Output (NO type)	2

Signal		Cable no.
Output (NC type)	-	
Relay R3	Common	-
Output (NO type)	3	
Output (NC type)	-	
Relay R4	Common	-
Output (NO type)	4	
Output (NC type)	-	