



### Main

Range of Product	Modicon Momentum automation platform
Product or Component Type	Discrete solid state I/O base DC
Group of channels	4 groups of 4 inputs 2 groups of 4 outputs
Discrete input number	16 IEC 1131-2 Type 1
Discrete input logic	Positive
Discrete input voltage	24 V DC
Discrete output number	8
Discrete output type	Solid state switch
Discrete output voltage	<= 30 V DC 24 V DC
Discrete output logic	Positive
Protective treatment	TC

### Complementary

[Us] rated supply voltage	24 V DC
Input voltage limits	- 3...30 V
Voltage state 0 guaranteed	-3...5 V
Voltage state 1 guaranteed	11...30 V
Current state 0 guaranteed	<= 1.2 mA
Current state 1 guaranteed	>= 2.5 mA
Input resistance	4 kOhm
Discrete output current	16 A per module 2 A per point 8 A per group
Maximum leakage current	1 mA 24 V output circuit)
Peak output current	2.8 A
Fault type	Short circuit on output Overload on output
Response time	< 0.1 ms from state 0 to state 1 on output < 0.1 ms from state 1 to state 0 on output 2.2 ms from state 0 to state 1 on input 3.3 ms from state 1 to state 0 on input
Isolation between channels and bus	500 V AC
Power dissipation	6.5 W <= 10 W
Marking	CE

The information provided in this documentation contains general descriptions and/or technical characteristics of the performance of the products contained herein. This documentation is not intended as a substitute for and is not to be used for determining suitability or reliability of these products for specific user applications. It is the duty of any such user or integrator to perform the appropriate and complete risk analysis, evaluation and testing of the products with respect to the relevant specific application or use thereof. Neither Schneider Electric Industries SAS nor any of its affiliates or subsidiaries shall be responsible or liable for misuse of the information contained herein.

Terminals description PLC n°1	(11)IN_DIS#11 (M-)PW_NEG (L+)PW_POS (7)IN_DIS#7 (15)IN_DIS#15 (16)IN_DIS#16 (1)IN_DIS#1 (4)IN_DIS#4 (6)IN_DIS#6 (14)IN_DIS#14 (13)IN_DIS#13 (5)IN_DIS#5 TB (12)IN_DIS#12 (10)IN_DIS#10 (8)IN_DIS#8 (2)IN_DIS#2 (3)IN_DIS#3 (9)IN_DIS#9
Terminals description PLC n°2	(5)OUT_DIS#5 (1)OUT_DIS#1 (2)OUT_DIS#2 (4)OUT_DIS#4 (6)OUT_DIS#6 (8)OUT_DIS#8 (7)OUT_DIS#7 (3)OUT_DIS#3 (1L+)PW_POS (2L+)PW_POS TB_1
Current consumption	250 mA 24 V DC
Depth	1.87 in (47.5 mm)
Height	5.57 in (141.5 mm)
Width	4.92 in (125 mm)
Net Weight	0.49 lb(US) (0.22 kg)

## Environment

Product Certifications	UL[RETURN]CSA
Resistance to electrostatic discharge	4 kV contact IEC 801-2 8 kV on air IEC 801-2
Resistance to electromagnetic fields	9.14 V/m (10 V/m) 80...1000 MHz IEC 801-3
Ambient Air Temperature for Operation	32...140 °F (0...60 °C)
Ambient Air Temperature for Storage	-40...185 °F (-40...85 °C)
Relative Humidity	95 % without condensation
Operating altitude	<= 16404.2 ft (5000 m)

## Ordering and shipping details

Category	18206-MOMENTUM PROCESSORS,I/O BASES,CONN.
Discount Schedule	PC31
GTIN	3595861147638
Returnability	No
Country of origin	ID

## Packing Units

Unit Type of Package 1	PCE
Number of Units in Package 1	1
Package 1 Height	2.17 in (5.5 cm)
Package 1 Width	7.09 in (18.0 cm)
Package 1 Length	10.24 in (26.0 cm)
Package 1 Weight	13.90 oz (394.0 g)
Unit Type of Package 2	S03
Number of Units in Package 2	10
Package 2 Height	11.81 in (30 cm)
Package 2 Width	11.81 in (30 cm)

Package 2 Length	15.75 in (40 cm)
Package 2 Weight	9.66 lb(US) (4.381 kg)
Unit Type of Package 3	P06
Number of Units in Package 3	80
Package 3 Height	41.34 in (105.0 cm)
Package 3 Width	23.62 in (60.0 cm)
Package 3 Length	31.50 in (80.0 cm)
Package 3 Weight	88.23 lb(US) (40.02 kg)

### Offer Sustainability

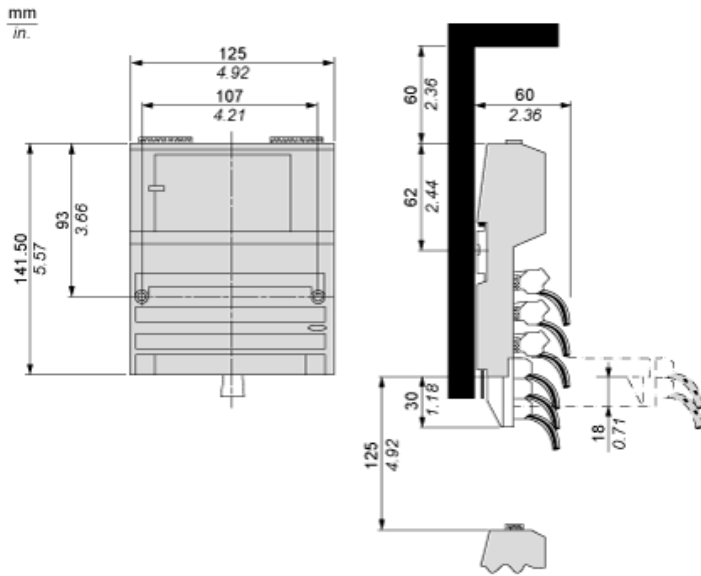
Sustainable offer status	Green Premium product
California proposition 65	WARNING: This product can expose you to chemicals including: Lead and lead compounds, which is known to the State of California to cause cancer and birth defects or other reproductive harm. For more information go to <a href="http://www.P65Warnings.ca.gov">www.P65Warnings.ca.gov</a>
REACH Regulation	<a href="#">REACH Declaration</a>
EU RoHS Directive	Pro-active compliance (Product out of EU RoHS legal scope)
Mercury free	Yes
China RoHS Regulation	<a href="#">China RoHS Declaration</a>
RoHS exemption information	<a href="#">Yes</a>
Environmental Disclosure	<a href="#">Product Environmental Profile</a>
Circularity Profile	<a href="#">End Of Life Information</a>
WEEE	The product must be disposed on European Union markets following specific waste collection and never end up in rubbish bins.

### Contractual warranty

Warranty	18 months
----------	-----------

Standard Adapter on a Typical Base

Dimensions



---

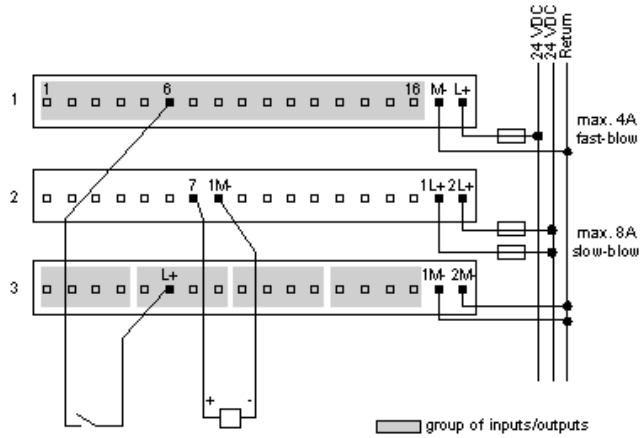
Mounting on a Wall

---

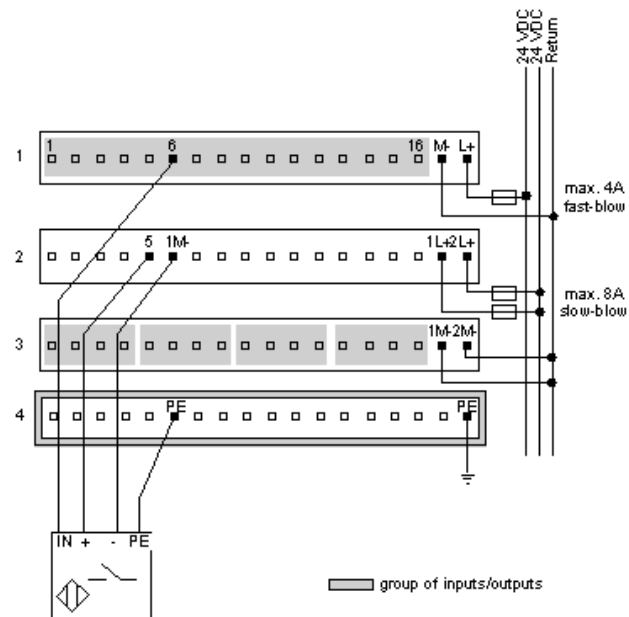


External Wiring Diagrams

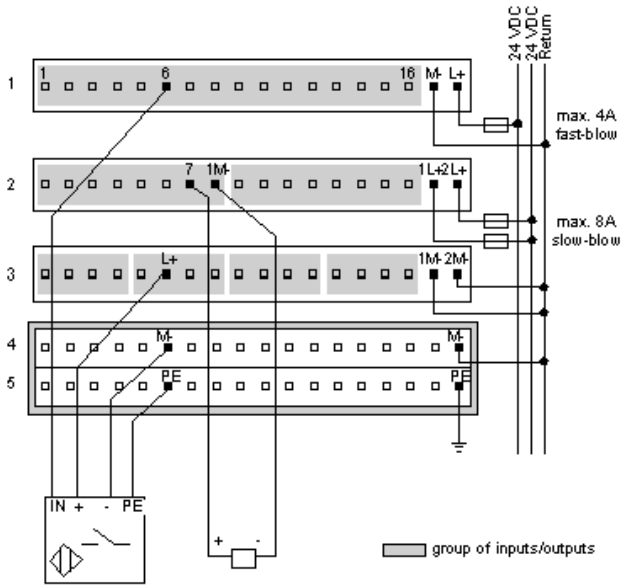
2-Wire Devices



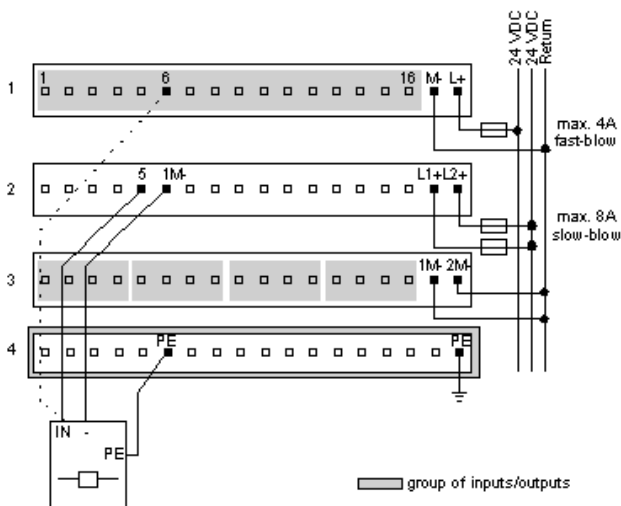
Sensor Activated by Output



## Four-Wire Sensor with a Two-Wire Actuator



## Broken Wire Detection



## Internal Pin Connections

Rows 1 through 3 show the internal connections between terminals on the I/O base. Rows 4 through 5 show the internal connections on the optional busbar.

