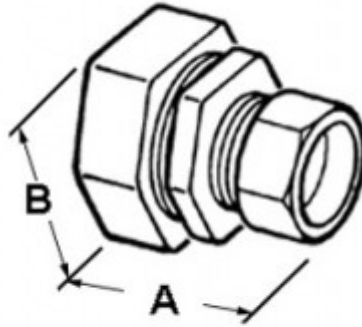


## Liquid Tight to EMT Transition Coupling, Zinc Die Cast, Size 3/4 Inch

Used to join either metallic or non-metallic (Type "B") liquid tight conduit to EMT. Raintight. Concrete-Tight.

[Download Photo](#)[Download Drawing](#)

### Product details

<b>Catalog Number:</b>	4361-DC
<b>UPC Number:</b>	781747943613
<b>Primary Materials:</b>	Zinc Die Cast
<b>Finish:</b>	Ball burnished, mirror smooth
<b>Trade Size:</b>	3/4"
<b>Unit Quantity:</b>	10
<b>Standard Package Quantity:</b>	50

### Dimensions

<b>Trade Size:</b>	3/4"
<b>Dimensions A:</b>	1-3/4
<b>Dimensions B:</b>	1-3/4

### Certifications & Codes

**Federal Specification Number:** A-A-50553

**UL File Number:** E24001

**CSA File Number:** LR39354

**UNSPSC:** 39131707

**Nema Standard:** FB-1

**UL Standard:** UL-514B

**Patent Number:** 7390027