



## Main

Range of Product	Harmony STM6
Product or Component Type	Modular HMI box
Operating System	Linux
Processor name	ARM Cortex-A8

## Complementary

[Us] rated supply voltage	24 V DC power supply
Local signalling	LED multi-colour status
Software package	EcoStruxure Operator Terminal Expert Web viewer
Processor frequency	800 MHz
Port Ethernet	10BASE-T/100BASE-T
Data storage equipment	1 GB Flash disk NAND
Memory description	512 KB backup memory 512 MB internal 1 GB flash
Integrated connection type	2 Ethernet TCP/IP - RJ45 COM1 serial link - SUB-D 9 - RS232C/RS422/RS485 2400...115200 bps USB 2.0 port - micro B USB Display port - RJ45 1 USB 2.0 port - USB type A
Type of cooling	Natural convection
Realtime clock	Built-in
Height	3.98 in (101 mm)
Width	5.93 in (150.5 mm)
Depth	2.49 in (63.3 mm)
Net Weight	1.01 lb(US) (0.456 kg)

## Environment

Standards	CSA C22.2 No 142 ANSI/ISA 12-12-01 UL 508 CSA C22.2 No 213 IEC 61132-2
Product Certifications	CE[RETURN]UKCA[RETURN]cULus[RETURN]RCM[RETURN]KC[RETURN]cULus Class 1 Division 2[RETURN]DNV[RETURN]ABS[RETURN]RINA[RETURN]BV
Pollution degree	2 IEC 61131-2 ed.3
Ambient Air Temperature for Operation	32...140 °F (0...60 °C)
Ambient Air Temperature for Storage	-4...140 °F (-20...60 °C)
Relative humidity	10...90 % non-condensing
Operating altitude	2000
Shock resistance	147 m/s <sup>2</sup> IEC 61131-2

Vibration resistance	3.5 mm constant amplitude 5...9 Hz) IEC 61131-2 9.8 m/s <sup>2</sup> 9...150 Hz) IEC 61131-2
Electromagnetic compatibility	Electrostatic discharge immunity test conforming to IEC 61000-4-2 level 3

## Ordering and shipping details

Category	22565-HARMONY BASIC HMI
Discount Schedule	MC2
GTIN	3606481856432
Returnability	No
Country of origin	ID

## Packing Units

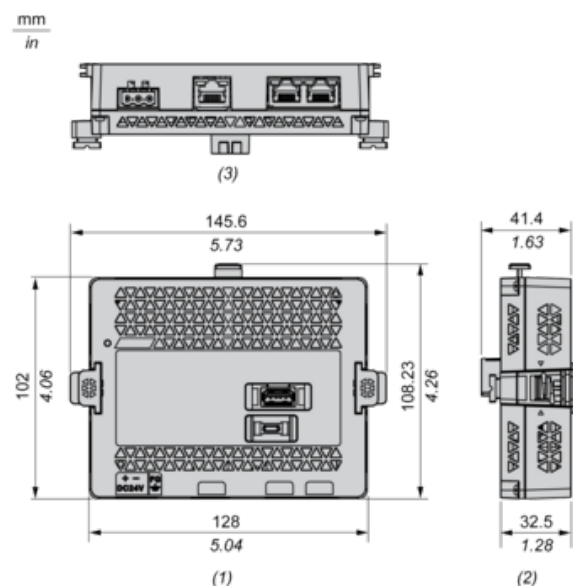
Unit Type of Package 1	PCE
Number of Units in Package 1	1
Package 1 Height	3.54 in (9.0 cm)
Package 1 Width	6.93 in (17.6 cm)
Package 1 Length	10.43 in (26.5 cm)
Package 1 Weight	23.81 oz (675.0 g)
Unit Type of Package 2	S03
Number of Units in Package 2	6
Package 2 Height	11.81 in (30 cm)
Package 2 Width	11.81 in (30 cm)
Package 2 Length	15.75 in (40 cm)
Package 2 Weight	10.79 lb(US) (4.895 kg)

## Offer Sustainability

Sustainable offer status	Green Premium product
California proposition 65	WARNING: This product can expose you to chemicals including: Lead and lead compounds, which is known to the State of California to cause cancer and birth defects or other reproductive harm. For more information go to <a href="http://www.P65Warnings.ca.gov">www.P65Warnings.ca.gov</a>
REACH Regulation	<a href="#">REACH Declaration</a>
EU RoHS Directive	Pro-active compliance (Product out of EU RoHS legal scope)
Mercury free	Yes
China RoHS Regulation	<a href="#">China RoHS Declaration</a>
RoHS exemption information	<a href="#">Yes</a>
Environmental Disclosure	<a href="#">Product Environmental Profile</a>
Circularity Profile	<a href="#">End Of Life Information</a>
WEEE	The product must be disposed on European Union markets following specific waste collection and never end up in rubbish bins.

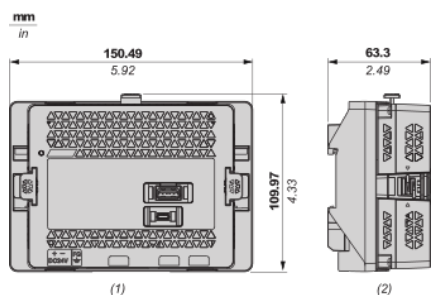
Dimensions

External dimensions



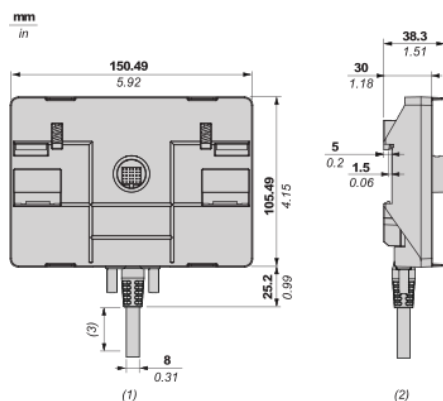
- (1) : Front
- (2) : Right
- (3) : Bottom

Dimension with installation adapter



- (1) : Front
- (2) : Right

Dimension with separation cable



(1) : Front

(2) : Right

(3) : To assemble this product, 20 mm (0.78 in) or more space required to bend the rubber portion at the end of the cable.