

| PART NO. | ENGINEERING NO. | FINISHED LENGTH |
|------------|-----------------|-----------------|
| 1300120194 | 332020K04M020 | 2.0M |
| 1300120195 | 332020K04M030 | 3.0M |
| 1300120198 | 332020K04M060 | 6.0M |

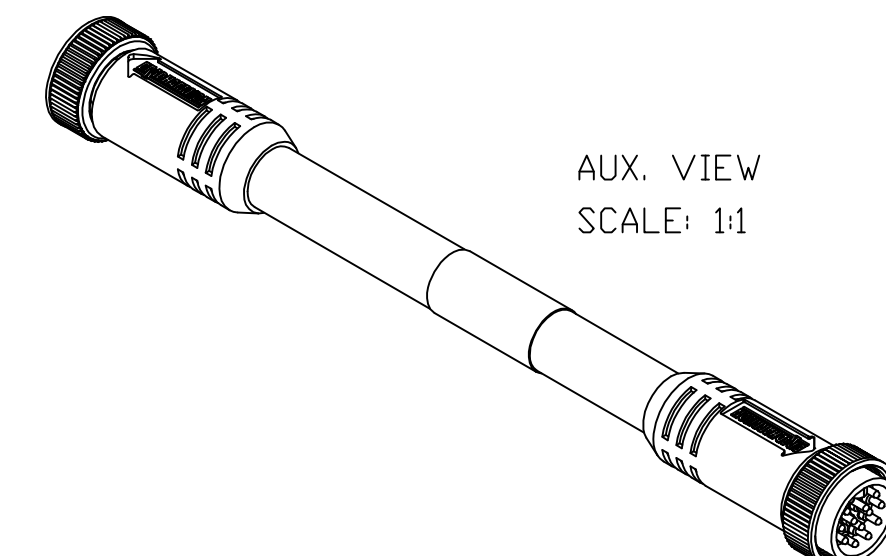
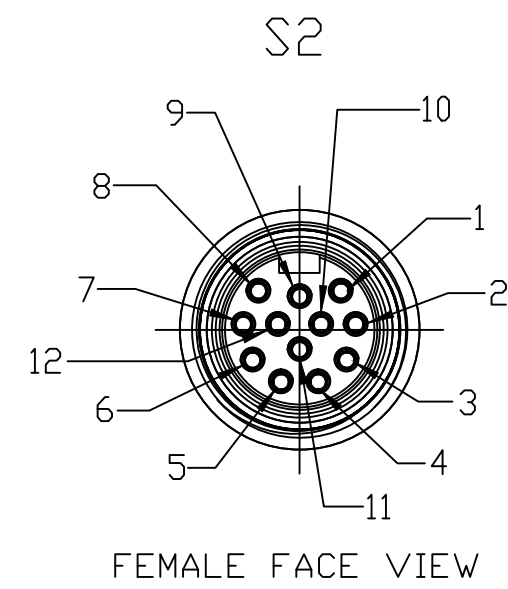
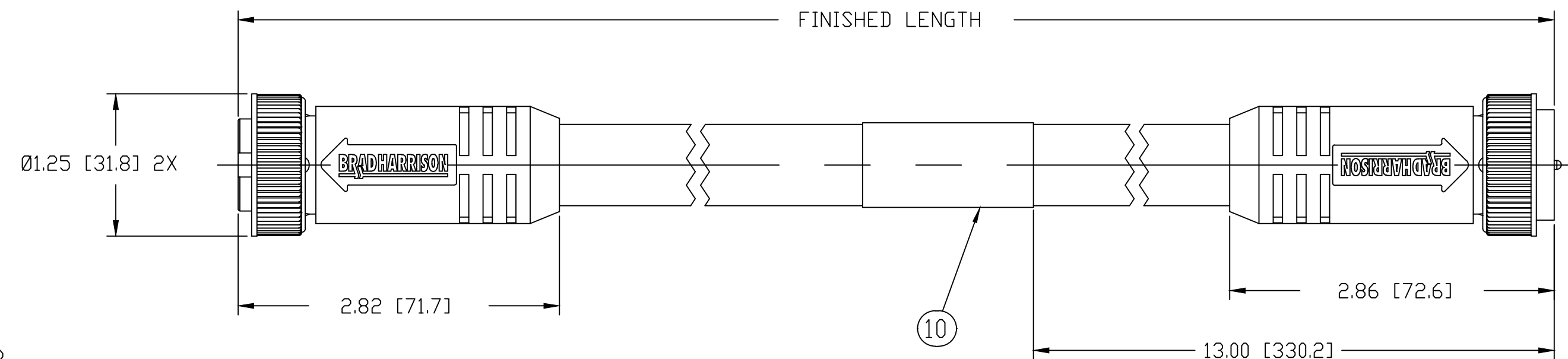
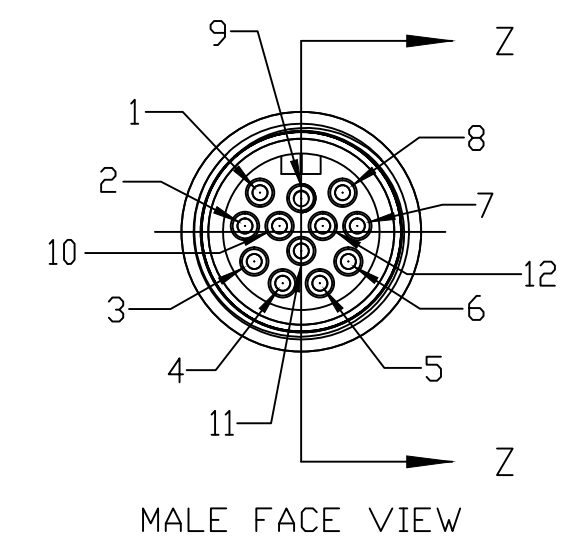
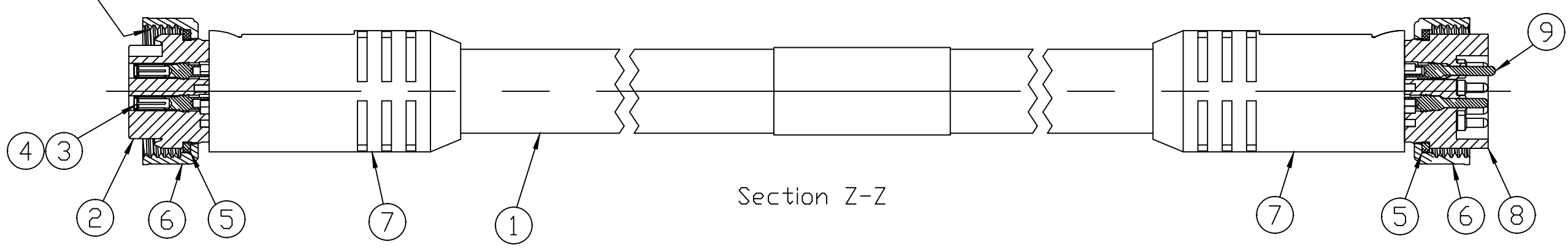


CHART
B1



1 1/8-16 THD. BOTH ENDS



PART NUMBER LEGEND
332020K04M010

LENGTH
M010 - 1 METER
M100 - 10 METER
F050 - 5 FEET
F500 - 50 FEET

- NOTES:**
- MATERIAL: AS NOTED
 - FINISH: AS NOTED
 - ELECTRICAL:
VOLTAGE: 320V PER IEC60664
600V PER UL2238
CURRENT: 5A
 - TEMP RATING: -20° TO +90°C
 - PROTECTION: IP67 (WHEN MATED)
 - ALL DIMS ARE FOR REFERENCE UNLESS NOTED OTHERWISE

| S2 | | P1 |
|----|------------------|----|
| 1 | WHITE | 1 |
| 2 | GREEN | 2 |
| 3 | YELLOW | 3 |
| 4 | GRAY | 4 |
| 5 | GREEN/BLACK/PINK | 5 |
| 6 | RED | 6 |
| 7 | BLACK | 7 |
| 8 | VIOLET | 8 |
| 9 | GREEN/YELLOW | 9 |
| 10 | BROWN | 10 |
| 11 | WHITE | 11 |
| 12 | GRAY/PINK | 12 |

WIRING DIAGRAM

CABLE LENGTH TOLERANCES

| |
|--|
| >.3M [1FT]: +19mm-0 [+1.75in-0] |
| .3 - .9M [1 - 3FT]: +44.5mm-0 [+1.75in-0] |
| .9 - 1.8M [3 - 6FT]: +55.6mm-0 [+2.19in-0] |
| 1.8 - 3.7M [6 - 12FT]: +88.9mm-0 [+3.50in-0] |
| 3.7 - 7.3M [12 - 24FT]: +165.1mm-0 [+6.50in-0] |
| 7.3-14.6M [24 - 48FT]: +317.5mm-0 [+12.50in-0] |
| 14.6 - 30.5M [48-100FT]: +622.3mm-0 [+24.50in-0] |
| OVER 30M [100FT] +2% OF FINISHED LENGTH |

| ITEM | DESCRIPTION | MATERIAL | FINISH |
|------|-------------------------|-----------------|--------------|
| 10 | LABEL | VINYL | BLACK/YELLOW |
| 9 | PIN CONTACT | BRASS | GOLD PLATED |
| 8 | INSERT, MALE, 12 POLE | TPE | YELLOW |
| 7 | OVERMOLD | TPE | YELLOW |
| 6 | COUPLING NUT | ZINC DIE CAST | BLACK |
| 5 | FRICTION RING | NYLON | NATURAL |
| 4 | SOCKET CONTACT | BRASS | GOLD PLATED |
| 3 | SOCKET SLEEVE | STAINLESS STEEL | |
| 2 | INSERT, FEMALE, 12 POLE | TPE | YELLOW |
| 1 | CABLE, 16-12 HI FLEX | TPEJACKET | YELLOW |

| IEC VOLTS WAS 250, ADD CHART & LENTOLS EC NO.: IPG2017-0977 DRWN: RSTONE 4/26/17 CH'KD: M ZIELIN 2017/04/28 APPR: BWOODMAN2015/08/12 | QUALITY SYMBOL ▽=0 ▽=0 | GENERAL TOLERANCES (UNLESS SPECIFIED) <table border="1"> <thead> <tr> <th></th> <th>mm</th> <th>INCH</th> </tr> </thead> <tbody> <tr><td>4 PLACES</td><td>±---</td><td>±---</td></tr> <tr><td>3 PLACES</td><td>±---</td><td>±---</td></tr> <tr><td>2 PLACES</td><td>±---</td><td>±---</td></tr> <tr><td>1 PLACE</td><td>±---</td><td>±---</td></tr> </tbody> </table> | | mm | INCH | 4 PLACES | ±--- | ±--- | 3 PLACES | ±--- | ±--- | 2 PLACES | ±--- | ±--- | 1 PLACE | ±--- | ±--- | DIMENSION STYLE IN/MM DRAWN BY: BARDEN DATE: 2015/08/12 CHECKED BY: TWOLDEGE DATE: 2015/08/12 APPROVED BY: JFMURPHY DATE: 2015/08/12 | SCALE: NTS DESIGN UNITS: INCH THIRD ANGLE PROJECTION |
|--|-------------------------------------|---|------------------|----|------|----------|------|------|----------|------|------|----------|------|------|---------|------|------|---|--|
| | | mm | INCH | | | | | | | | | | | | | | | | |
| | 4 PLACES | ±--- | ±--- | | | | | | | | | | | | | | | | |
| | 3 PLACES | ±--- | ±--- | | | | | | | | | | | | | | | | |
| 2 PLACES | ±--- | ±--- | | | | | | | | | | | | | | | | | |
| 1 PLACE | ±--- | ±--- | | | | | | | | | | | | | | | | | |
| DRAFT WHERE APPLICABLE MUST REMAIN WITHIN DIMENSIONS | SEE MATRIX | MOLEX INCORPORATED SD-130012-018 | SHEET NO. 1 OF 1 | | | | | | | | | | | | | | | | |
| THIS DRAWING CONTAINS INFORMATION THAT IS PROPRIETARY TO MOLEX INCORPORATED AND SHOULD NOT BE USED WITHOUT WRITTEN PERMISSION | | | | | | | | | | | | | | | | | | | |