



► Model 191XL-CN

Hazardous Location Zone Listed LED Light



Model 191XL-CN is a hazardous location LED signal light that comes standard in flashing mode and is field configurable to steady-burn mode for maximum functionality.

Federal Signal's super bright LED array used in the 191XL-CN produces intense light output and 50,000 hours of service. Increased shock and vibration resistance add to this unit's rugged industrial portfolio of features.

FEATURES

- Available in 24VAC/DC and 120-240VAC
- Five lamp/lens colors: Amber, Blue, Clear, Green and Red
- Flashing mode standard, configurable to steady-burn
- 50,000 hours, vibration-resistant LED lamp
- Dome guard included
- Available in 3/4-inch NPT pipe mount or surface mount
- Type 4X, IP66 enclosure
- IP69K compliant
- Marine Listed
- UL and cUL Listed for Class I, Zone 2, AEx nA IIC Gc; Zone 22 AEx tc IIIC Dc

MODEL	VOLTAGE	OPERATING CURRENT	IN-RUSH CURRENT	FLASH RATE/ MINUTE	MOUNT	LIGHT OUTPUT
191XL-CN- * 024 **	24VAC/DC	0.40 amps	1.75 amps, 5.0 mS	60	3/4" NPT Pipe or Surface	200 cd***
191XL-CN * 120-240 **	120/240VAC	0.21/0.13 amps	2.0 amps, 0.25 mS	60	3/4" NPT Pipe or Surface	200 cd***

* Include (S) for Surface Mount Option (Example part number: 191XL-CN-S024R for surface mount option, 191XL-CN-024R for pipe mount)

** Indicates color: (A) Amber, (B) Blue, (C) Clear, (G) Green or (R) Red

*** Tested with clear lens and flashing mode

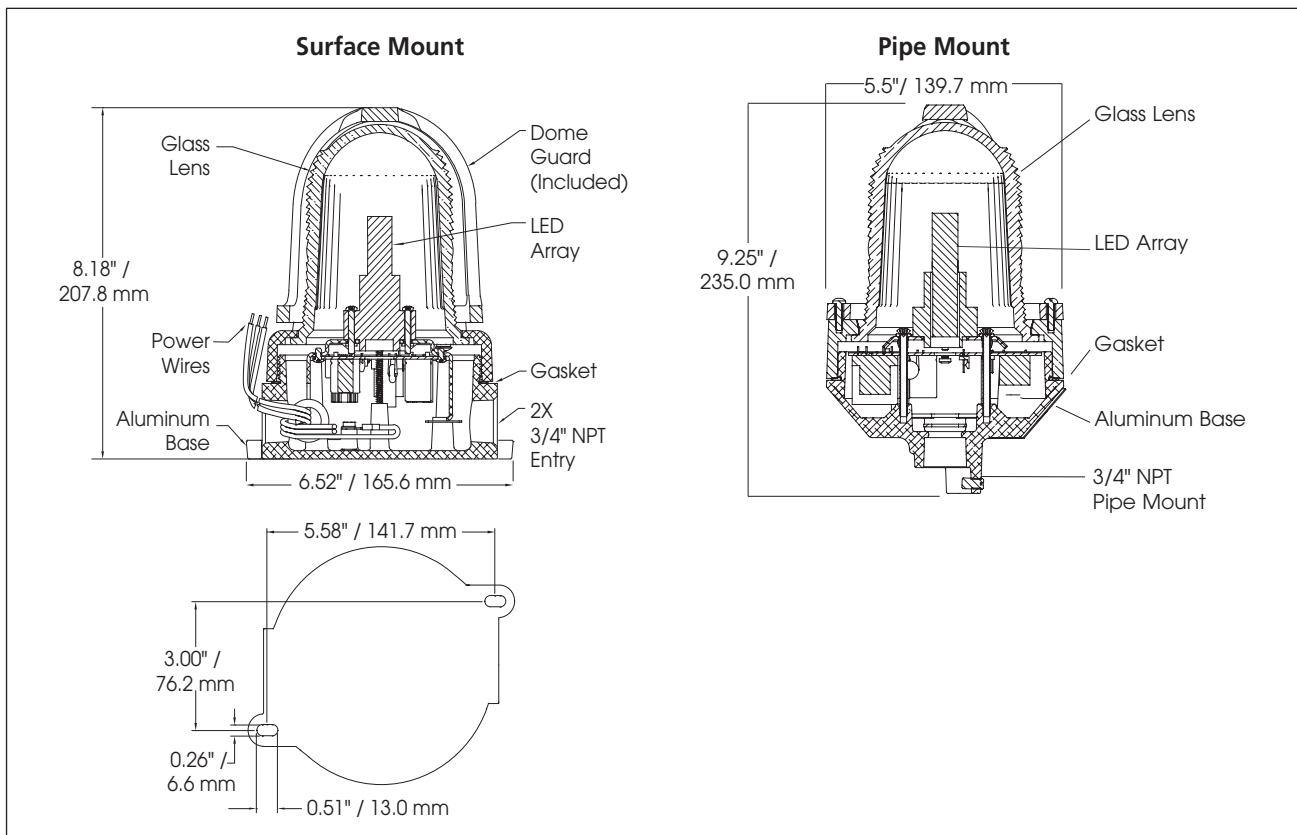
Note: When ordering the 120/240 voltage, use 120-240 for the pipe mount model and 120240 for the surface mount model

HAZARDOUS LOCATION RATING: 191XL-CN

T-CODE AT MAXIMUM AMBIENT TEMPERATURE, °C

	66°C
Hazardous Location	All Voltages
Class I, Zone 2	T4
Class II, Zone 22	T85

Hazardous Location Zone Listed LED Light (191XL-CN)



SPECIFICATIONS

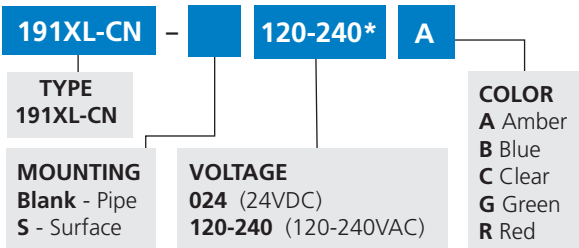
Lamp Life:	50,000 Hours	
Light Source:	LED	
Certified Operating Temperature:	-31°F to 150°F	-35°C to 66°C
Electrical Operating Temperature:	-67°F to 150°F	-55°C to 66°C
Net Weight:	4.0 lbs	1.81 kg
Shipping Weight:	4.25 lbs	1.93 kg
Pipe Mount		
Height (with Dome Guard):	9.25"	235.0 mm
Diameter:	5.5"	139.7 mm
Surface Mount		
Height (with Dome Guard)	8.18"	207.8 mm
Diameter	6.52"	165.6 mm

REPLACEMENT PARTS

Description	Part Number
LED array, Amber	K14700030A-A
LED array, Blue	K14700030A-B
LED array, Clear	K14700030A-W
LED array, Green	K14700030A-G
LED array, Red	K14700030A-R
PC Board Assembly, 24VDC	K2005455A
PC Board Assembly, 120/240VAC	K2005416A
Glass Lens/Ring Assembly, Amber ¹	K8449078C-01
Glass Lens/Ring Assembly, Blue ¹	K8449078C-06
Glass Lens/Ring Assembly, Clear ¹	K8449078C-04
Glass Lens/Ring Assembly, Green ¹	K8449078C-07
Glass Lens/Ring Assembly, Red ¹	K8449078C
Guard, Dome	K8449090C

¹Assembly includes a gasket

HOW TO ORDER



*Shown for ordering a pipe mount model. Use 120240 for surface mount.