

Watertight Hubs

Die Cast, Insulated and Gasketed

Use:

- Used in applications to connect rigid metal conduit or IMC to a threadless opening in an enclosure.
- May be used in wet or dry locations, indoors or outdoors.
- Suitable for hazardous locations: Class I, Division 2; Class II, Divisions 1 and 2; Class III, per NEC 501.10(B)(4), 502.10(A)(1)(4), 502.10(B)(4), 503.10(A)(1).


Features:


- Rugged metallic construction ensures mechanical protection.
- Diecast design provides clean lines and aesthetic appeal.
- Insulated throat, rated up to 221 °F/105 °C, prevents wire abrasion.
- Integral O-ring provides watertight seal.
- Grounding version provides positive ground for external conductor.
- Unique profile permits easy wrenching.
- Smooth, accurately tapped threads facilitate installation.
- Watertight and corrosion resistant: NEMA 4X.

Material:

Bodies and nuts: Die Cast Zinc
 O-ring: BUNA-N
 Insulator: Polycarbonate
 Ground Screw: Mild Steel
 Size Ranges: 1/2" through 4"

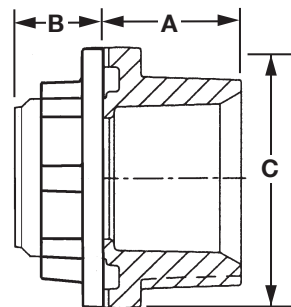
Third Party Certification:

 UL Listed
 UL Standard 514B
 O-Z/Gedney UL File No. E11853

 CSA Certified
 (Includes Class II, Groups E, F, G)
 CSA Standard C22.2-18-98
 NEMA Type 2, 3, 3R, 4, 4X, 5, 12, 13
 NEMA Standard FB-1
 O-Z/Gedney CSA File No. 009795



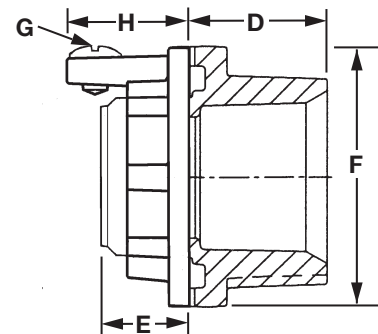
HUB



HUB Series



HUBG



HUBG Series

Watertight Hubs

Die Cast, Insulated and Gasketed

Die Cast Hubs – Insulated

Catalog Number	Trade Size (in./mm.)	Dimensions in Inches / Millimeters		Dimensions in Inches / Millimeters		
		Hole Diameter Min. — Max.	Panel Thickness Min. — Max.	A	B	C
HUB-50DN	0.50/12.7	0.86 — 0.91/ 21.8 — 23.1	0.03 — 0.25/ 0.8 — 6.4	0.84/21.3	0.64/16.3	1.44/36.6
HUB-75DN	0.75/19.1	1.08 — 1.14/ 27.4 — 28.9	0.03 — 0.25/ 0.8 — 6.4	0.94/23.9	0.64/16.3	1.69/42.9
HUB-100DN	1.00/25.4	1.33 — 1.41/ 33.8 — 35.8	0.03 — 0.25/ 0.8 — 6.4	1.03/26.2	0.78/19.8	2.00/50.8
HUB-125DN	1.25/31.8	1.67 — 1.77/ 42.4 — 44.9	0.03 — 0.25/ 0.8 — 6.4	1.12/28.4	0.78/19.8	2.38/60.5
HUB-150DN	1.50/38.1	1.92 — 2.02/ 48.8 — 51.3	0.06 — 0.25/ 1.5 — 6.4	1.12/28.4	0.78/19.8	2.75/69.9
HUB-200DN	2.00/50.8	2.36 — 2.50/ 59.9 — 63.5	0.06 — 0.25/ 1.5 — 6.4	1.12/28.4	0.78/19.8	3.25/82.6
HUB-250DN	2.50/63.5	2.86 — 3.00/ 72.6 — 76.2	0.06 — 0.31/ 1.5 — 7.9	1.56/39.6	1.06/26.9	3.72/94.5
HUB-300DN	3.00/76.2	3.48 — 3.63/ 88.4 — 92.2	0.06 — 0.31/ 1.5 — 7.9	1.56/39.6	1.06/26.9	4.38/111.3
HUB-350DN	3.50/88.9	3.98 — 4.16/ 101.1 — 105.7	0.06 — 0.31/ 1.5 — 7.9	1.56/39.6	1.06/26.9	4.94/125.5
HUB-400DN	4.00/101.6	4.48 — 4.67/ 113.8 — 118.6	0.06 — 0.31/ 1.5 — 7.9	1.56/39.6	1.06/26.9	5.47/138.9

Grounding Style Hubs – Insulated

Catalog Number	Trade Size (in./mm.)	Dimensions in Inches / Millimeters		Dimensions in Inches / Millimeters				
		Hole Diameter Min. — Max.	Panel Thickness Min. — Max.	D	E	F	G	H
HUBG-50DN	0.50/12.7	0.86 — 0.91/ 21.8 — 23.1	0.03 — 0.25/ 0.8 — 6.4	0.84/21.3	0.64/16.3	1.44/36.6	10—32x1/4	0.69/17.5
HUBG-75DN	0.75/19.1	1.08 — 1.14/ 27.4 — 28.9	0.03 — 0.25/ 0.8 — 6.4	0.94/23.9	0.64/16.3	1.69/42.9	10—32x1/4	0.78/19.8
HUBG-100DN	1.00/25.4	1.33 — 1.41/ 33.8 — 35.8	0.03 — 0.25/ 0.8 — 6.4	1.03/26.2	0.78/19.8	2.00/50.8	10—32x1/4	0.78/19.8
HUBG-125DN	1.25/31.8	1.67 — 1.77/ 42.4 — 44.9	0.03 — 0.25/ 0.8 — 6.4	1.12/28.4	0.78/19.8	2.38/60.5	1/4—20x3/8	0.81/20.6
HUBG-150DN	1.50/38.1	1.92 — 2.02/ 48.8 — 51.3	0.06 — 0.25/ 1.5 — 6.4	1.12/28.4	0.78/19.8	2.75/69.9	1/4—20x3/8	1.00/25.4
HUBG-200DN	2.00/50.8	2.36 — 2.50/ 59.9 — 63.5	0.06 — 0.25/ 1.5 — 6.4	1.12/28.4	0.78/19.8	3.25/82.6	1/4—20x1/2	1.00/25.4
HUBG-250DN	2.50/63.5	2.86 — 3.00/ 72.6 — 76.2	0.06 — 0.31/ 1.5 — 7.9	1.56/39.6	1.06/26.9	3.72/94.5	1/4—20x1/2	1.25/31.8
HUBG-300DN	3.00/76.2	3.48 — 3.63/ 88.4 — 92.2	0.06 — 0.31/ 1.5 — 7.9	1.56/39.6	1.06/26.9	4.38/111.3	1/4—20x1/2	1.25/31.8
HUBG-350DN	3.50/88.9	3.98 — 4.16/ 101.1 — 105.7	0.06 — 0.31/ 1.5 — 7.9	1.56/39.6	1.06/26.9	4.94/125.5	1/4—20x1/2	1.31/33.3
HUBG-400DN	4.00/101.6	4.48 — 4.67/ 113.8 — 118.6	0.06 — 0.31/ 1.5 — 7.9	1.56/39.6	1.06/26.9	5.47/138.9	1/4—20x1/2	1.31/33.3

Watertight Hubs

Grounding Nuts and Hub Spacing Chart

Knockout Hole Size (in./mm.)	Trade Size (in./mm.)	Dimensions in Inches / Millimeters									
		1/2"	3/4"	1"	1-1/4"	1-1/2"	2"	2-1/2"	3"	3-1/2"	4"
0.88/22.2	0.50/12.7	1.56/33.6									
1.13/3.2	0.75/19.1	1.69/42.9	1.81/45.9								
1.38/9.5	1.00/25.4	1.84/46.7	1.97/50.0	2.13/54.1							
1.75/19.1	1.25/31.8	2.03/51.6	2.16/54.9	2.31/58.7	2.50/63.5						
2.00/50.8	1.50/38.1	2.22/56.4	2.34/59.4	2.50/63.5	2.69/68.3	2.88/73.1					
2.50/63.5	2.00/50.8	2.47/62.7	2.59/65.8	2.75/69.9	2.97/75.4	3.13/79.5	3.38/85.9				
3.00/76.2	2.50/63.5	2.72/69.1	2.84/72.1	3.00/76.2	3.19/81.0	3.38/85.9	3.63/92.2	3.88/98.6			
3.63/92.2	3.00/76.2	3.01/76.5	3.16/80.3	3.31/84.1	3.50/88.9	3.69/93.7	3.81/96.8	4.49/114.0	4.50/114.3		
4.13/104.9	3.50/88.9	3.34/84.8	3.47/88.1	3.63/92.2	3.81/96.8	4.00/101.6	4.25/107.9	4.50/114.3	4.81/122.2	5.13/130.3	
4.63/117.6	4.00/101.6	3.59/91.2	4.72/119.9	3.88/98.6	4.06/103.1	4.25/107.9	4.50/114.3	4.75/120.7	5.06/128.5	5.38/136.7	5.75/146.1

Dimensions in **bold** are for centers of conduits of same size, all other dimensions are for centers of conduits of a different size.