

# Technical Information Bulletin

## LED Lamps



Date: \_\_\_\_\_ Name of distributor: \_\_\_\_\_  
 In hands date of project: \_\_\_\_\_ Client #: \_\_\_\_\_  
 Project name/Number: \_\_\_\_\_ Name of end user: \_\_\_\_\_

### ORDERING INFORMATION

**Order code:** 67925  
**Description:** CRN/S3/36W/50K/BYP/120-347/ND/E26/STD  
**UPC:** 69549679252  
**Case quantity:** 12



### PHYSICAL DATA

**Base:** E26  
**Type:** High Intensity 360°

### PERFORMANCE DATA

**Watts (W):** 36  
**Install method:** Ballast bypass  
**Lamp volts (VAC):** 120-347  
**Colour temperature (K)<sup>1</sup>:** 5 000  
**Life L70 (hrs):** 50 000  
**Bare lumens (lm)<sup>2</sup>:** 5 200  
**Bare lamp lumens per watt (lm/W):** 144  
**CRI:** 80  
**Beam angle (°):** 360  
**Power factor:** >0.9  
**THD (%):** <20  
**Operating temperature range:** - 40 °C to 45 °C (-40°F to 113 °F)

<sup>1</sup> Typical colour temperature range: +/- 5 %

<sup>2</sup> Lumen values are derived from photometric testing. Initial lumens range: +/- 10 %



\*This product complies with UL1598C Standard for LED luminaire Retrofit kits. Not suitable for hazardous location.

### DESCRIPTION AND OTHER OPTIONS

CRN360	/	S3	/	36W	/	40K	/	BYP	/	120-347V	/	ND	/	E26	/	STD
Family		Series		Watts		Colour temp.		Installation		Volts		Dimmable		Base		Brand
CRN LED High Intensity		S3 Series 3		36W 36 watts 50W 50 watts 115W 115 watts		30K 3 000 K 40K 4 000 K 50K 5 000 K		BYP Ballast bypass		120-347V 120-347 volts		ND Non-dimmable		E26 E26 medium E39 E39 mogul		STD Standard

This lighting equipment complies with Canadian standard ICES-005 for use in residential applications. Data is based upon tests performed in a controlled environment and representative of relative performance. Actual performance can vary depending on operating conditions. Specifications are subject to change without notice.

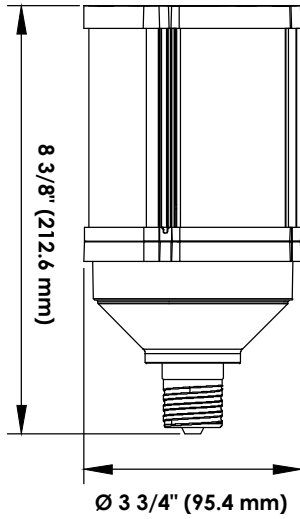
# Technical Information Bulletin

## LED Lamps



ORDER CODE : 67925

### TECHNICAL DRAWINGS AND DIMENSIONS



Qty	Description	Price

I accept the specifications of the luminaire configuration mentioned above.

Name: \_\_\_\_\_

Company: \_\_\_\_\_

Signature: \_\_\_\_\_

Date: \_\_\_\_\_