

**BURNDY Catalog Number**  
**UPC Number**  
**Description**  
**Status**

GKA4C  
7818101009988  
14-4 CU GRD LUG,DB,MECH  
Active

**Web Use**  
BURNDY Product Line

**Dimensional**

Length (in) 1.13  
Height (in) 0.71  
Size (Hex) or Size (Bolt) 5/16  
B Length (in) 0.46  
Pad Width (in) 0.54  
Hole Size (in) 0.28

**General**

**Product Description**

Copper Alloy Direct Burial  
Terminal, #14 Sol. - #4 Str., 1.13  
in L

**Conductor(s)**

Copper Solid Size (Range) 14 AWG-4 AWG  
Copper Stranded (Range) 14 AWG-4 AWG

**Physical**

Screw Type

Slot

**Approvals / Certifications**

ROHS Compatible  
CULUS

Compliant  
N

**Documentation**

For further technical assistance, please contact us

**BURNDY LLC - USA**

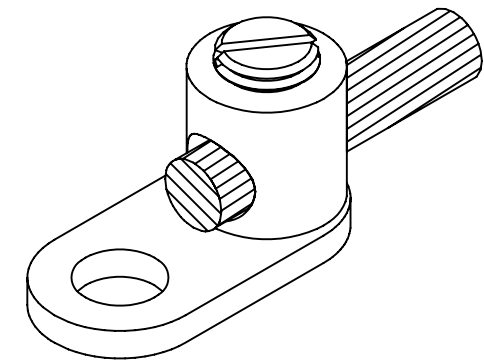
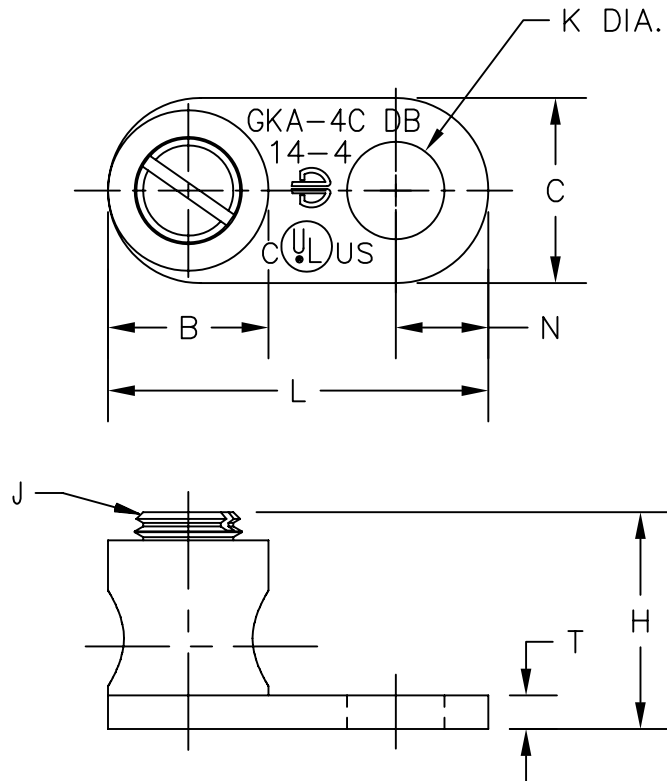
47 East Industrial Park Drive  
Manchester NH 03109

**BURNDY Technical Services**

47 East Industrial Park Drive  
Manchester NH 03109

Hours: 8:00 AM - 5:00 PM  
Monday - Friday  
Phone: 800-346-4175

CATALOG NO.	COPPER CONDUCTOR RANGE				DIMENSIONS								SCREW DESCRIPTION	TORQUE	
	AWG		METRIC WIRE SIZE		B	C	H REF.	J	K	STUD HOLE SIZE	L	N			T
	MIN.	MAX.	MIN.	MAX.											
GKA8C	10 SOL. (.102 DIA.)	#8 STR. (.146 DIA.)	6mm <sup>2</sup> SOL [3]	6mm <sup>2</sup> STR [3]	.31 [8]	.38 [10]	.58 [15]	#12-24	.21 [5]	#10	.81 [21]	.19 [5]	.08 [2]	STAINLESS STEEL SLOTTED HEADLESS SET SCREW	4
GKA4C	14 SOL. (.064 DIA.)	#4 STR. (.232 DIA.)	2.5mm <sup>2</sup> SOL [2]	16mm <sup>2</sup> STR [5]	.46 [12]	.54 [14]	.71 [18]	5/16-24	.28 [7]	1/4	1.13 [29]	.25 [6]	.10 [3]	STAINLESS STEEL SLOTTED HEADLESS SET SCREW	5



**NOTES:**

- MATERIAL: BODY - COPPER ALLOY  
SCREW - STAINLESS STEEL
- DIMENSIONS IN [ ] BRACKETS ARE IN MILLIMETERS, ROUNDED OFF TO THE NEAREST MILLIMETER, UNLESS OTHERWISE NOTED. METRIC DIMENSIONS ARE FOR REFERENCE ONLY.
- CONNECTORS ARE UL 467 LISTED FOR DIRECT BURIAL APPLICATIONS (FILE E9999).

4 TORQUE REQUIREMENTS:

CONDUCTOR	TORQUE
10 AWG	20 lb-in [2.3 N-m]
8 AWG	25 lb-in [2.8 N-m]

5 TORQUE REQUIREMENTS:

CONDUCTOR	TORQUE
14-10 AWG	35 lb-in [4.0 N-m]
8 AWG	40 lb-in [4.5 N-m]
6-4 AWG	45 lb-in [5.1 N-m]

TO ORDER BURNDY®PRODUCTS CALL 1-800-346-4175  
MANCHESTER, NH 03109, USA  
FOR PRODUCT INFO = <http://www.fciconnect.com>

**DIRECT BURIAL TERMINAL**

ITEM NO: --

CAT NO: (TABLE)

SCALE: 2X  
DRAWN BY: R. PERREAULT 04/27/95  
CHECKER: K. HENRY 04/28/95  
DSN APPVL: K. MELLO 04/28/07  
MFG APPVL: --  
QC APPVL: D. VARIO 05/02/95  
MKT APPVL: L. HERRON 05/01/95



PROD FAM:	DRAWING NO	REV
---	SC209774	A
PROJECT #: --	SIZE	
DOCUMENT TYPE: Sales	B	
REL LEVEL: AutoCAD		

REV.	DATE	DESCRIPTION	ECO	BY	C'K'D.
A	06/13/07	CHG. THE MARKINGS OF THE PRODUCT DUE TO NEW VENDOR - SAGE	14520	RB	PL

DRAWING NO	REV
SC209774	A
SHEET 1	OF 1