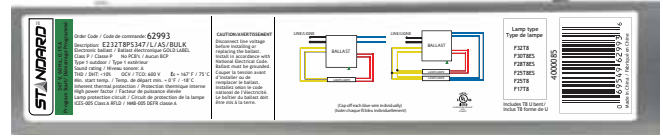


ORDERING INFORMATION

Order code: 62993
 Description: E232T8PS347/L/AS/BULK
 UPC: 69549629936



SPECIFICATIONS

Ballast type: Electronic
Starting method: Program Start
Lamp connection: Parallel
Input voltage (V): 347
Input frequency (Hz): 60
Max. case temperature: 90 °C
Thermal protection: Class P

Type: 1 Outdoor
Contains PCBs: No
Sound rating: A
Open current voltage (OCV) (V): 600
Inherent thermal protection: Yes
Lamp protection circuit: Yes
RFLD: ICES-005 Class A



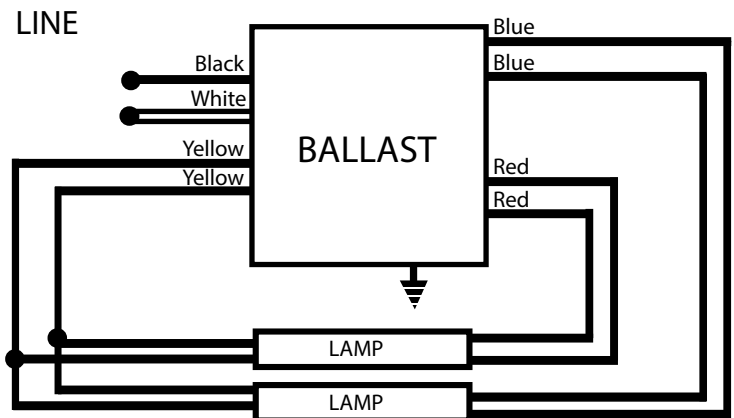
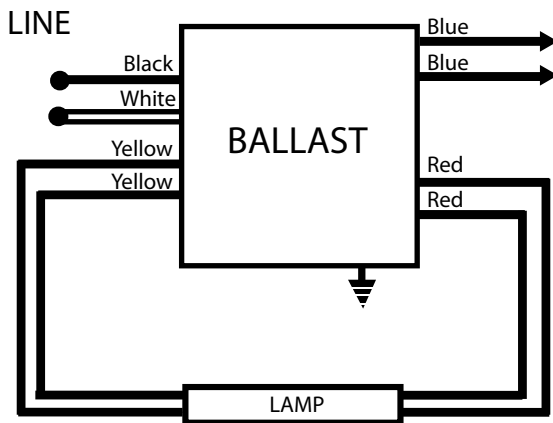
347 VOLTS

Lamp type	Number of lamps	Rated lamp watts	Min. start temp. (°F / °C)	Input current (A)	Input power (ANSI watts)	Ballast factor	Max THD %	Power factor	Max. lamp current crest factor	B.E.F.
F32T8	2	32	0/-18	0.15	49.2	0.79	10	0.99	1.7	1.61
F32T8	1	32	0/-18	0.09	32	0.94	15	0.98	1.7	2.94
F32T8/ES (30 W)	2	30	32/0	0.14	47	0.79	10	0.99	1.7	1.68
F32T8/ES (30 W)	1	30	32/0	0.09	31	0.94	15	0.98	1.7	3.03
F32T8/ES (28 W)	2	28	32/0	0.13	44	0.79	10	0.99	1.7	1.80
F32T8/ES (28 W)	1	28	32/0	0.09	29	0.94	15	0.98	1.7	3.24
F32T8/ES (25 W)	2	25	32/0	0.12	40	0.79	15	0.98	1.7	1.98
F32T8/ES (25 W)	1	25	32/0	0.08	26	0.94	15	0.98	1.7	3.62
F25T8	2	25	0/-18	0.12	40	0.81	15	0.98	1.7	2.03
F25T8	1	25	0/-18	0.08	26	0.98	15	0.97	1.7	3.77
F17T8	2	17	0/-18	0.09	31	0.89	15	0.98	1.7	2.87
F17T8	1	17	0/-18	0.06	20	1.18	20	0.97	1.7	5.90
F40T8	1	40	0/-18	0.11	40	0.89	15	0.98	1.7	2.23

ORDERING INFORMATION

Order code: 62993
 Description: E232T8PS347/L/AS/BULK
 UPC: 69549629936

WIRING DIAGRAM



LEADS LENGTH

Black	18.8" (48 cm)
White	18.8" (48 cm)
Blue	30.9" (78.5 cm)
Red	30.9" (78.5 cm)
Yellow	46.4" (118 cm)

BALLAST DIMENSIONS

Length (L):	9.50" (24.1 cm)
Width (W):	1.70" (4.3 cm)
Height (H):	1.14" (2.9 cm)
Mounting (M):	8.90" (22.6 cm)

