

Home: >

Part Number: 120070-4011

MIC 5P MR 0.5M 18/1 PVC 1/2 NPT

Image not available

Status: Active
Series: [120070](#)
Category: Molex Parts
Old Part Number: 8R5006A16M005

[CHECK DISTRIBUTOR INVENTORY](#)

[Add to My Parts](#)

Go to [Part Detail](#)

Series image - Reference only

Specifications & Other Documents:

Documents not available online

Sales Drawings, 3D Models, and Brochures

[Drawing \(PDF\)](#)

Note - Please disable browser pop-up blockers to view documents on www.molex.com

Product Environmental Compliance

Questions on Product Environmental Compliance? Email productcompliance@molex.com

EU RoHS: ELV and RoHS Compliant

China RoHS:

REACH SVHC: Not Reviewed

Low-Halogen Status: Not Reviewed

[Product Compliance Statement](#)

Application Tooling

[FAQ](#)

Tooling specifications and manuals are found by selecting the products below.

Crimp Height Specifications are then contained in the Application Tooling Specification document.

Previously Available Application Tooling

[Check our list of old tooling that used to be available for this part](#)

Part Detail

[COLLAPSE ALL](#)

General

Status	Active
Category	Molex Parts
Series	120070
UPC	78172501221

Agency Certification

Please find UL Certificates by searching the UL Database using the Molex Series Number. [Click here to visit the UL Database](#)

CSA	LR6837
UL	E152210

Material Info

Old Part Number	8R5006A16M005
-----------------	---------------

Molex Connectors

Wire-to-Board
Board-to-Board
Wire-to-Wire
Input/Output (IO)
FFC/FPC
Sockets

Other Products

Fiber Optic Products
Antennas
Industrial Automation
Membrane Switches
Copper Flex
PCB Assemblies
Woodhead Electrical
Solid State Lighting
Application Tooling

Resources

Contact Us
Catalog
Cross-Reference
Industries
Literature
Product Name

Company Info

About Us
Careers
ecocare
Investors
Press Room
Shows & Events
Supplier Portal

Other Info

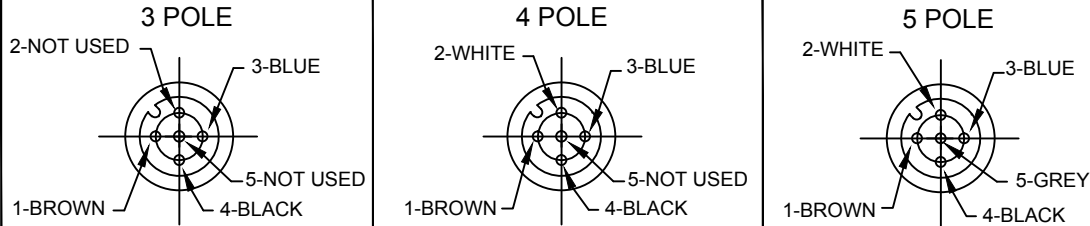
Feedback
Help
Legal Disclaimer
Trademarks
View Mobile Site
Privacy Policy
Sitemap

Stay Connected with Molex:

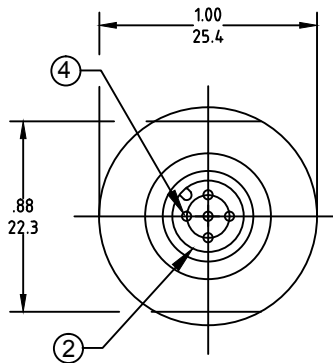


10 9 8 7 6 5 4 3 2 1

**FRONT VIEW
FEMALE INSERT CONFIGURATION CHART**

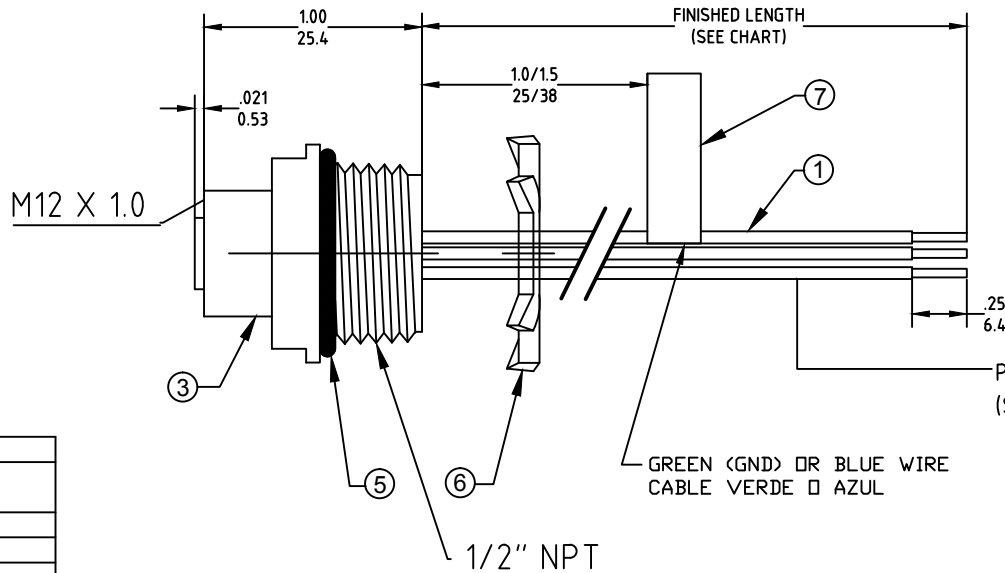


POLE	MATERIAL NO.	ENGINEERING NO.	FINISHED LENGTH
3	120070	8R3000A16A120	12.0" +.75"-0 (.3M +19mm-0)
4	1200700170	8R4000A16M020	6'7"+3.50"-0 (2M +88.9mm-0)
5	1200700246	8R5000A16M010	3'3"+2.19"-0 (1M +55.6mm-0)

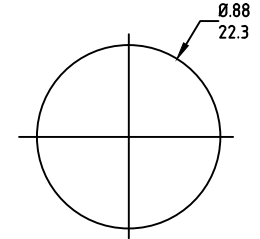


CONNECTOR SPECIFICATION:

VOLTAGE RATING 3 - 4 PIN	250V per IEC 60664
VOLTAGE RATING 5 PIN	60V per IEC 60664 250V per UL 2238
AMPERAGE RATING	4 AMPS
PROTECTION	IP67
OPERATING TEMPERATURE	-20°C TO 80°C
UL CERTIFICATIONS	UL LISTED, FILE NO. E152210
CSA CERTIFICATIONS	CSA CERTIFIED, FILE NO. LR6837



KNOCKOUT HOLE



PVC WIRE, 0.34mm
(SEE TABLE FOR COLOURS)

GREEN (GND) OR BLUE WIRE
CABLE VERDE O AZUL

ITEM	COMPONENT	MATERIAL	FINISH
7	LABEL	MYLAR	BLACK/YELLOW
6	LOCKNUT	STEEL	ZINC PLATED
5	O-RING	VITON	BLACK
4	CONTACT SOCKET	COPPER ALLOY	GOLD OVER NICKEL
3	SHELL FM M12x1	DIE CAST ZINC	NICKEL PLATED
2	MALE INSERT	NYLON	BLACK
1	CONDUCTOR- 18 AWG 3-5 CONDUCTOR 300V	PVC	SEE WIRING DIAGRAMM

NEW SALES DOC
EC NO: IPG2017-0318
DRWN: BBRAUCH 2016/09/21
CHKD: RSILLER 2016/09/21
APPR: RSILLER 2013/02/07

QUALITY SYMBOLS
▽=0
▽=0

	GENERAL TOLERANCES (UNLESS SPECIFIED)	
	mm	INCH
4 PLACES	±---	±---
3 PLACES	±---	±---
2 PLACES	±---	±.01
1 PLACE	±0.3	±---
ANGULAR ±2°		
DRAFT WHERE APPLICABLE MUST REMAIN WITHIN DIMENSIONS		

DIMENSION STYLE		SCALE	DESIGN UNITS	THIRD ANGLE PROJECTION
INCH/MM		4:1	INCH	
DRAWN BY	DATE	MICRO CHANGE RECEPTACLE 3-5 POLE FEMALE #18/3-5 AWG PVC WIRING MOLEX INCORPORATED		
CHECKED BY	DATE			
APPROVED BY	DATE			
MATERIAL NO.		DOCUMENT NO.	SHEET NO.	
SEE CHART		SD-120070-043	1 OF 1	

THIS DRAWING CONTAINS INFORMATION THAT IS PROPRIETARY TO MOLEX INCORPORATED AND SHOULD NOT BE USED WITHOUT WRITTEN PERMISSION

10 9 8 7 6 5 4 3 2 1