



Main

Range of Product	Harmony Modular iPC
Accessory / separate part type	Adaptor
Accessory / separate part category	Adaptation accessory
Product compatibility	Harmony iPC industrial PCs

Complementary

Accessory / separate part destination	Harmony modular display HMIDM
[Us] rated supply voltage	24 V DC 100...240 V AC external adaptor
Input voltage	24 V DC 100...240 V AC external adaptor
Inrush current	5.3 A
Integrated connection type	Display port input video signal 1 USB (V2.0) port B output touch screen signal
Power consumption in W	15.77 W HMIDM6422) 13.97 W HMIDM6522) 12.42 W HMIDM7421) 14.68 W HMIDM7521) 17.57 W HMIDM9521) 23.33 W HMIDMA521) 22.05 W HMIDM6422 receiver module) 20.02 W HMIDM6522 receiver module) 19.05 W HMIDM7421 receiver module) 21.29 W HMIDM7521 receiver module) 24 W HMIDM9521 receiver module) 29.12 W HMIDMA521 receiver module) 24.51 W HMIDM6422 transmitter and receiver module) 22.53 W HMIDM6522 transmitter and receiver module) 21.25 W HMIDM7421 transmitter and receiver module) 23.76 W HMIDM7521 transmitter and receiver module) 26.53 W HMIDM9521 transmitter and receiver module) 31.48 W HMIDMA521 transmitter and receiver module)
Net Weight	0.00 Lb(US) (0 kg) 3.97 Lb(US) (1.8 kg) 5.29 lb(US) (2.4 kg)

Environment

Pollution degree	2
Ambient Air Temperature for Operation	32...131 °F (0...55 °C)
Ambient Air Temperature for Storage	-22...158 °F (-30...70 °C)
Operating altitude	6561.68 ft (2000 m)
Product Certifications	IEC Ex hazardous locations 3GD zone 2/22[RETURN]RCM[RETURN]cULus HazLoc Class I Division 2 ANSI/ISA 12-12-01[RETURN]CCC[RETURN]cULus CSA 22-2 No 142[RETURN]EAC[RETURN]ATEX[RETURN]CE[RETURN]cULus[RETURN]cULus HazLoc Class I Division 2 CSA 22-2 No 213
Relative Humidity	10...95 % non-condensing

The information provided in this documentation contains general descriptions and/or technical characteristics of the performance of the products contained herein. This documentation is not intended as a substitute for and is not to be used for determining suitability or reliability of these products for specific user applications. It is the duty of any such user or integrator to perform the appropriate and complete risk analysis, evaluation and testing of the products with respect to the relevant specific application or use thereof. Neither Schneider Electric Industries SAS nor any of its affiliates or subsidiaries shall be responsible or liable for misuse of the information contained herein.

Ordering and shipping details

Category	22574-MAGELIS BOX PC AND PANEL PC
Discount Schedule	MC2
GTIN	3606481245564
Returnability	No
Country of origin	TW

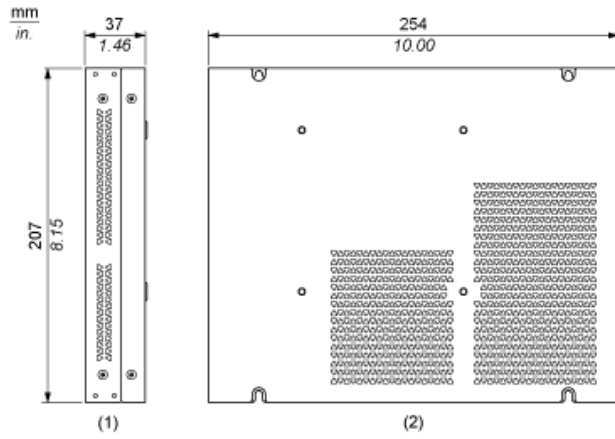
Packing Units

Unit Type of Package 1	PCE
Number of Units in Package 1	1
Package 1 Height	5.91 in (15.0 cm)
Package 1 Width	9.25 in (23.5 cm)
Package 1 Length	14.76 in (37.5 cm)
Package 1 Weight	4.85 lb(US) (2.2 kg)
Unit Type of Package 2	S04
Number of Units in Package 2	3
Package 2 Height	11.81 in (30.0 cm)
Package 2 Width	15.75 in (40.0 cm)
Package 2 Length	23.62 in (60.0 cm)
Package 2 Weight	14.55 lb(US) (6.6 kg)
Unit Type of Package 3	P12
Number of Units in Package 3	36
Package 3 Height	31.50 in (80 cm)
Package 3 Width	41.34 in (105 cm)
Package 3 Length	49.21 in (125 cm)
Package 3 Weight	229.72 lb(US) (104.2 kg)

Offer Sustainability

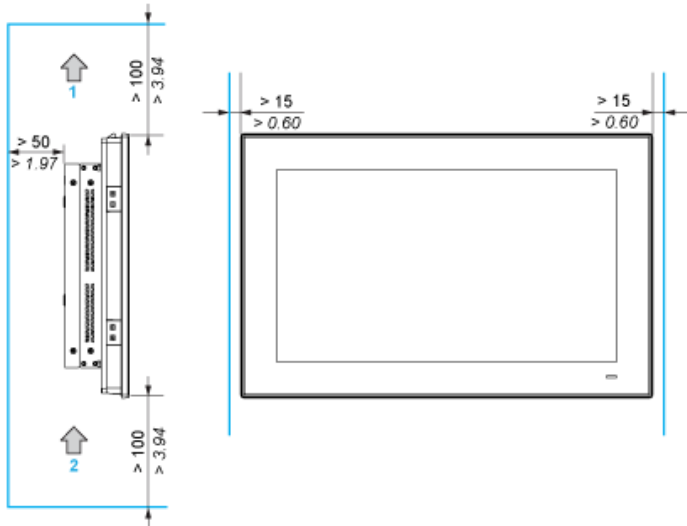
California proposition 65	WARNING: This product can expose you to chemicals including: Lead and lead compounds, which is known to the State of California to cause cancer and birth defects or other reproductive harm. For more information go to www.P65Warnings.ca.gov
REACH Regulation	REACH Declaration
REACH free of SVHC	Yes
EU RoHS Directive	Pro-active compliance (Product out of EU RoHS legal scope)
Mercury free	Yes
China RoHS Regulation	China RoHS Declaration
RoHS exemption information	Yes
WEEE	The product must be disposed on European Union markets following specific waste collection and never end up in rubbish bins.

External Dimensions



- (1) Side view
- (2) Rear view

Spacing Requirements



- (1) Air out
- (2) Air in

Mounting Orientation

