



Main

| | |
|---------------------------------|---|
| Range of Product | Modicon Momentum automation platform |
| Product or Component Type | Analogue, discrete I/O base |
| Group of channels | 1 group of 8 discrete outputs 2 groups of 4 discrete inputs 1 group of 6 analog inputs 1 group of 4 analog outputs |
| Analogue input range | 0...10 V |
| Analogue input type | Single ended |
| Analogue input resolution | 14 bits 0...10 V |
| Discrete input voltage | 24 V DC |
| Analogue output range | 0...10 V 14 bits |
| Discrete output voltage | 10...30 V |
| Output short-circuit protection | With discrete output |
| Output overload protection | With discrete output |

Complementary

| | |
|--------------------------------|---|
| Discrete input number | 8 IEC 1131-2 Type 2 |
| [Us] rated supply voltage | 24 V 19.2...30 V)DC |
| Maximum analogue input voltage | 15 V |
| Input voltage limits | 3...32 V |
| Discrete input logic | Positive |
| Voltage state 0 guaranteed | <= 5 V discrete input |
| Voltage state 1 guaranteed | >= 11 V discrete input |
| Current state 0 guaranteed | <= 2 mA discrete input) |
| Current state 1 guaranteed | >= 6 mA discrete input) |
| Input overvoltage protection | 45 V 10 s discrete input |
| Input resistance | 1 MOhm analogue input circuit |
| Output load | >= 2 kOhm 0...10 V analogue output |
| Conversion time | 0.75 Ms analogue input circuit 1.2 ms analogue output |
| Conversion error | +/- 0.4 % 0...10 V 77 °F (25 °C) analogue output 0,002 0...10 V 77 °F (25 °C) analogue input circuit |
| Fail state | Analogue output hold Analogue output reset to zero |
| Discrete output type | Transistor |
| Discrete output logic | Positive |
| Discrete output current | 2 A per group 2 A per module 0.25 A per point |
| Maximum leakage current | 0.4 mA DC 30 V discrete output |
| Maximum voltage drop | <0.4 V 0.25 A at state on discrete output |
| Surge current | 2.5 A 1 ms discrete output |
| Response time | 1.05 ms from state 1 to state 0 discrete output 1.2 ms from state 0 to state 1 discrete input 1.2 ms from state 0 to state 1 discrete output 1.2 ms from state 1 to state 0 discrete input |

The information provided in this documentation contains general descriptions and/or technical characteristics of the performance of the products contained herein. This documentation is not intended as a substitute for and is not to be used for determining suitability or reliability of these products for specific user applications. It is the duty of any such user or integrator to perform the appropriate and complete risk analysis, evaluation and testing of the products with respect to the relevant specific application or use thereof. Neither Schneider Electric Industries SAS nor any of its affiliates or subsidiaries shall be responsible or liable for misuse of the information contained herein.

| | |
|--------------------------------|---|
| Isolation voltage | 500 V 1 min) between analogue I/O and operating voltage 500 V 1 min) between operating voltage and I/O from ground |
| Maximum power dissipation in W | 6 W |
| Marking | CE |
| Local signalling | For channel status 4 LEDs |
| Electrical connection | 2 connectors for removable terminal blocks |
| Current consumption | 400 mA 24 V DC |
| Depth | 1.87 in (47.5 mm) |
| Height | 4.92 in (125 mm) |
| Width | 5.57 in (141.5 mm) |
| Net Weight | 0.53 lb(US) (0.24 kg) |

Environment

| | |
|---------------------------------------|---|
| Product Certifications | UL[RETURN]CSA |
| Protective treatment | TC |
| Resistance to electrostatic discharge | 4 KV contact IEC 801-2 8 kV on air IEC 801-2 |
| Resistance to electromagnetic fields | 9.14 V/m (10 V/m) 80...1000 MHz IEC 801-3 |
| Ambient Air Temperature for Operation | 32...140 °F (0...60 °C) |
| Ambient Air Temperature for Storage | -40...185 °F (-40...85 °C) |
| Relative Humidity | 95 % without condensation |
| Operating altitude | <= 16404.2 ft (5000 m) |

Ordering and shipping details

| | |
|-------------------|---|
| Category | 18206-MOMENTUM PROCESSORS,I/O BASES,CONN. |
| Discount Schedule | PC31 |
| GTIN | 3595860019523 |
| Returnability | Yes |
| Country of origin | ID |

Packing Units

| | |
|------------------------------|--------------------------|
| Unit Type of Package 1 | PCE |
| Number of Units in Package 1 | 1 |
| Package 1 Height | 2.17 in (5.5 cm) |
| Package 1 Width | 7.09 in (18.0 cm) |
| Package 1 Length | 10.24 in (26.0 cm) |
| Package 1 Weight | 13.54 oz (384.0 g) |
| Unit Type of Package 2 | S03 |
| Number of Units in Package 2 | 10 |
| Package 2 Height | 11.81 in (30 cm) |
| Package 2 Width | 11.81 in (30 cm) |
| Package 2 Length | 15.75 in (40 cm) |
| Package 2 Weight | 9.44 lb(US) (4.281 kg) |
| Unit Type of Package 3 | P06 |
| Number of Units in Package 3 | 80 |
| Package 3 Height | 29.53 in (75.0 cm) |
| Package 3 Width | 15.75 in (40.0 cm) |
| Package 3 Length | 31.50 in (80.0 cm) |
| Package 3 Weight | 122.84 lb(US) (55.72 kg) |

Offer Sustainability

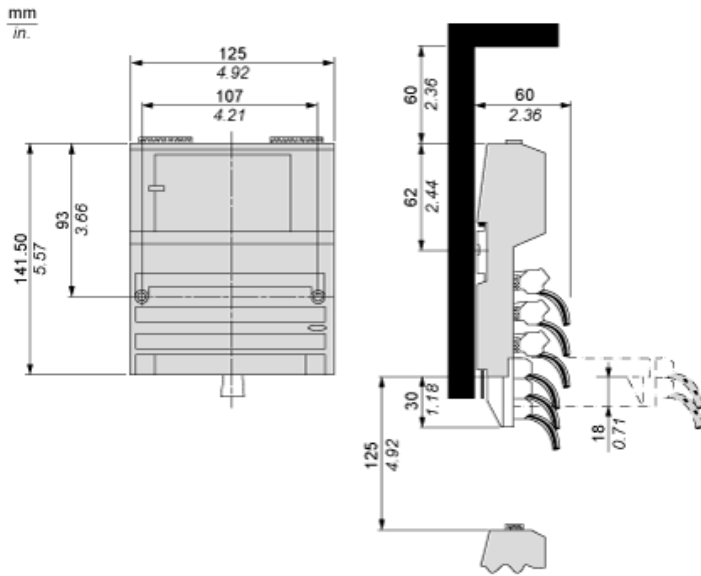
| | |
|----------------------------|---|
| Sustainable offer status | Green Premium product |
| California proposition 65 | WARNING: This product can expose you to chemicals including: Lead and lead compounds, which is known to the State of California to cause cancer and birth defects or other reproductive harm. For more information go to www.P65Warnings.ca.gov |
| REACH Regulation | REACH Declaration |
| EU RoHS Directive | Pro-active compliance (Product out of EU RoHS legal scope) |
| Mercury free | Yes |
| China RoHS Regulation | China RoHS Declaration |
| RoHS exemption information | Yes |
| Environmental Disclosure | Product Environmental Profile |
| Circularity Profile | End Of Life Information |
| WEEE | The product must be disposed on European Union markets following specific waste collection and never end up in rubbish bins. |

Contractual warranty

| | |
|----------|-----------|
| Warranty | 18 months |
|----------|-----------|

Standard Adapter on a Typical Base

Dimensions

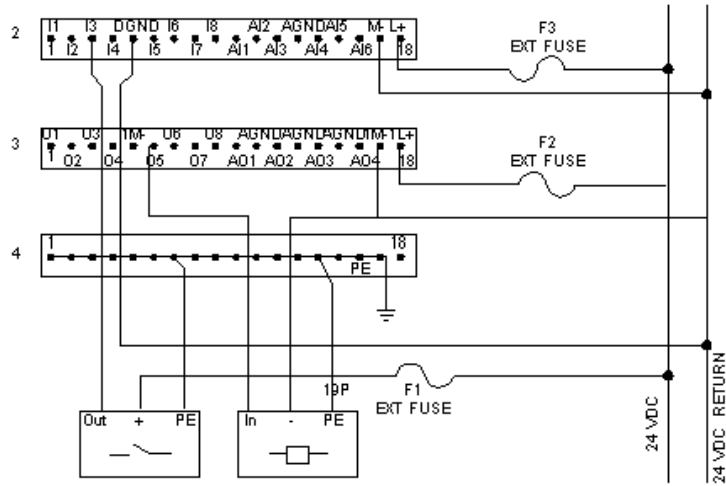


Mounting on a Wall



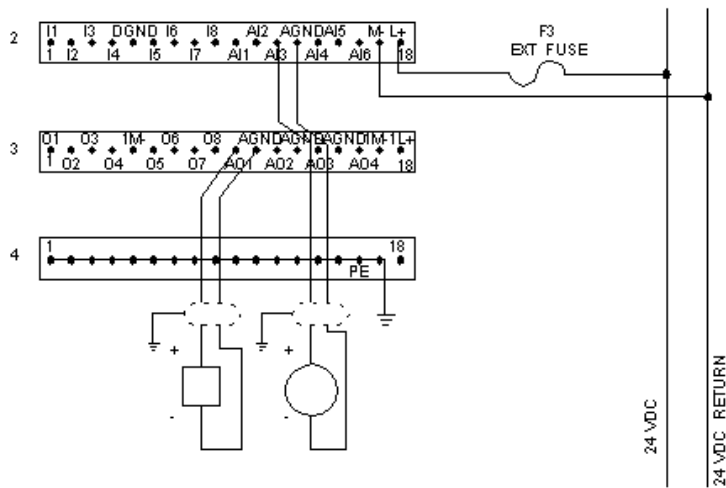
External Wiring Diagrams

Discrete I/O Devices



- F1, 1 A fuse
- F3
- F2 2.5 A fuse

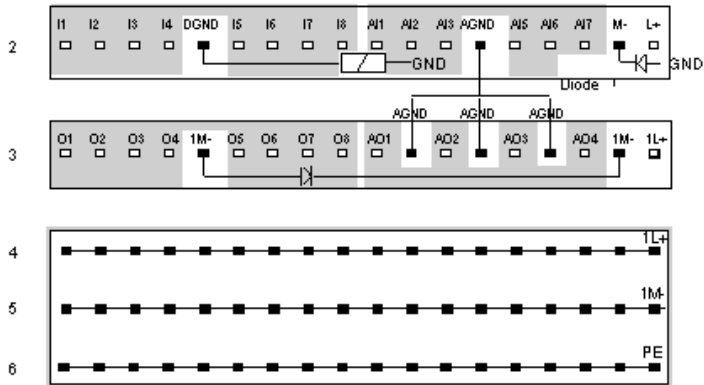
Analog I/O Devices



- F3 1 A fuse

Internal Pin Connections

Rows 2 and 3 show the internal connections between terminals on the I/O base. Rows 4 through 6 show the internal connections on the optional busbar.



NOTE: AGND and DGND are separated inside the module. External digital inputs must be returned to the DGND terminal. External analog circuits must be returned to AGND terminals.