

DIN rail adaptor for RJ45 modular jack

Product Classification

Regional Availability	Asia EMEA Latin America North America
Portfolio	NETCONNECT®
Product Type	Adapter

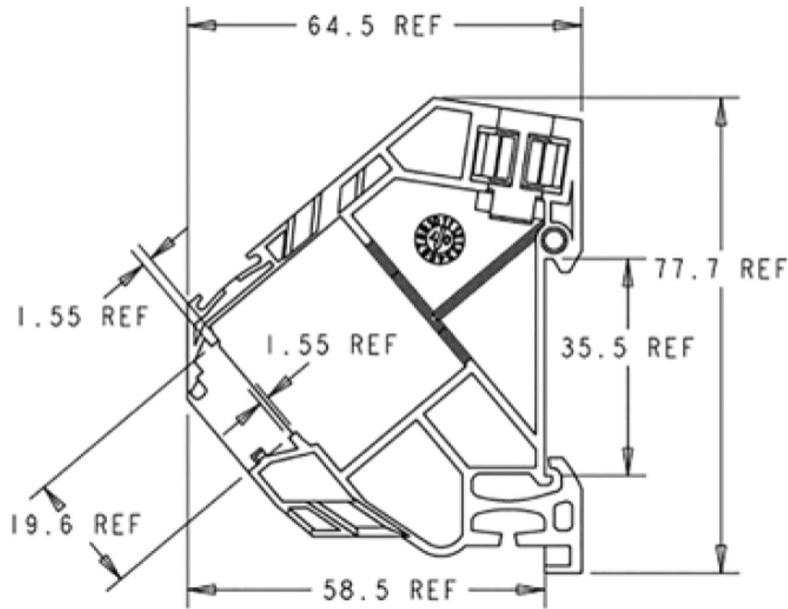
General Specifications

Application	For use with SL Series outlets (UTP and STP)
Color	Gray

Dimensions

Height	77.7 mm 3.059 in
Width	16.13 mm 0.635 in
Depth	64.5 mm 2.539 in

Outline Drawing



Material Specifications

Material Type Polyamide (PA) 30% glass filled

Environmental Specifications

Environmental Space Indoor

Packaging and Weights

Included Tie wrap

Packaging quantity 1

Packaging Type Bag

Regulatory Compliance/Certifications

Agency

CHINA-ROHS

REACH-SVHC

ROHS

Classification

Below maximum concentration value

Compliant as per SVHC revision on www.commscope.com/ProductCompliance

Compliant

