



## Main

Range of Product	Harmony iPC
Product or Component Type	Flat screen
Terminal type	Touchscreen display
Device mounting	Flush
Product Compatibility	Modular Box PC

## Complementary

View angle horizontal x vertical	150 x 140°
Contrast ratio	500:1
Pixel resolution	1366 x 768
Touchscreen resolution	4096 x 4096
Display resolution	1366 x 768 pixels WHD FWXGA
Display size	15.6 inch
Aspect ratio	16:9
Display type	Colour TFT LCD LED
Display colour	16777216 colors
Luminance	27.87 fc (300 cd/m <sup>2</sup> )
Backlight lifespan	50000 hours 77 °F (25 °C)
Touch panel	Multi-touch projected capacitive technology (PCT)
Function Available	Operate with water on screen
[Us] rated supply voltage	24 V DC power supply 100...240 V AC power supply
Supply voltage limits	18...36 V
Inrush current	8.9 A
Power consumption in W	54.5 W Box PC HMIBMP) 49.5 W Box PC HMIBMU)
Local signalling	Status LED
Depth	Enclosure 1.10 in (28 mm) 0.28 in (7 mm)
Height	10.59 in (269 mm)
Width	16.52 in (419.7 mm)
Net Weight	9.48 lb(US) (4.3 kg)

## Environment

Standards	Class I division 2 CSA C22.2 No 213 CSA C22.2 No 142 UL 6110-2-201 Class I division 2 ANSI/ISA 12-12-01
Product certifications	IEC-Ex[RETURN]C-tick[RETURN]EAC[RETURN]Marine GL Bridge[RETURN]ATEX[RETURN]CE
IP degree of protection	IP66
NEMA degree of protection	NEMA 4X
Pollution degree	2
Ambient air temperature for storage	-22...158 °F (-30...70 °C)
Relative Humidity	10...95 % non-condensing
Ambient air temperature for operation	32...131 °F (0...55 °C)
Operating altitude	6561.68 ft (2000 m)
Vibration resistance	1 gn 5...500 Hz) HDD 2 gn 5...500 Hz) SSD 2 gn 5...500 Hz) Cfast card

## Ordering and shipping details

Category	22574-MAGELIS BOX PC AND PANEL PC
Discount Schedule	MC2
GTIN	3606480853678
Returnability	Yes
Country of origin	US

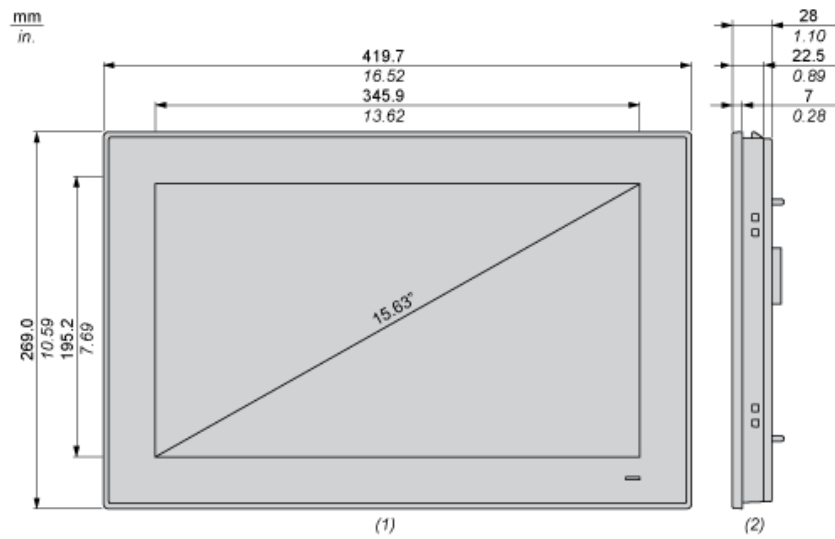
## Packing Units

Unit Type of Package 1	PCE
Number of Units in Package 1	1
Package 1 Height	1.10 in (2.8 cm)
Package 1 Width	10.59 in (26.9 cm)
Package 1 Length	16.54 in (42.0 cm)
Package 1 Weight	9.48 lb(US) (4.3 kg)

## Offer Sustainability

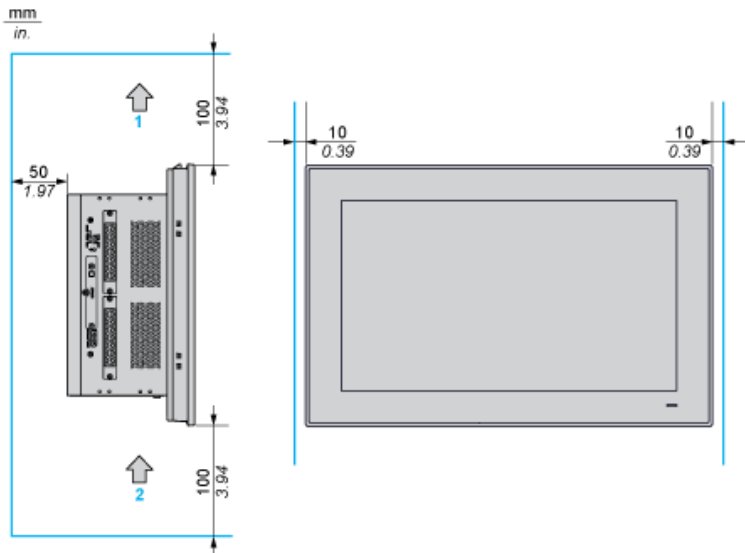
Sustainable offer status	Green Premium product
California proposition 65	WARNING: This product can expose you to chemicals including: Lead and lead compounds, which is known to the State of California to cause cancer and birth defects or other reproductive harm. For more information go to <a href="http://www.P65Warnings.ca.gov">www.P65Warnings.ca.gov</a>
REACH Regulation	<a href="#">REACH Declaration</a>
REACH free of SVHC	Yes
EU RoHS Directive	Pro-active compliance (Product out of EU RoHS legal scope)
Mercury free	Yes
China RoHS Regulation	<a href="#">China RoHS Declaration</a>
RoHS exemption information	<a href="#">Yes</a>
Environmental Disclosure	<a href="#">Product Environmental Profile</a>
Circularity Profile	<a href="#">End Of Life Information</a>
WEEE	The product must be disposed on European Union markets following specific waste collection and never end up in rubbish bins.

## Dimensions



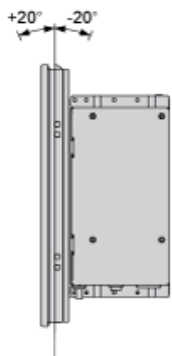
- (1) Front view
- (2) Right view

## Spacing Requirements

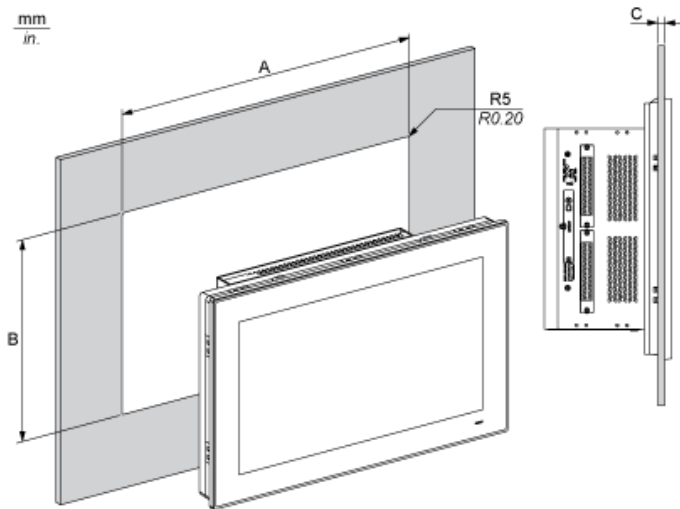


- 1 : Air out
- 2 : Air in

## Mounting Orientation



## Panel Cut Dimensions



A		B		C		R	
mm	in.	mm	in.	mm	in.	mm	in.
412.4	16.24	261.7	10.30	2...6	0.08...0.23	5	0.20