

HALO LED ICAT HOUSING for NEW CONSTRUCTION

The H550ICAT is a dedicated LED new construction housing to be used with HALO ML56 LED modules and 5-Inch trims. (May also be used with RL56, RA56, LT56, SLD6 and LED modules.) The H550ICAT is designed for insulated ceilings and can be in direct contact with ceiling insulation*. This AIR-TITE housing design prevents airflow between conditioned and unconditioned areas and saves on both heating and air conditioning costs. The H550ICAT LED connector provides high efficacy code compliance when used with compatible HALO LED modules. HALO LED luminaire systems (housing, LED and trim) carry a five year limited warranty.

Catalog #		Type
Project		
Comments		Date
Prepared by		

DESIGN FEATURES

Housings

- Aluminum housing for greater heat dissipation. H550ICAT housing is gasketed to prevent airflow from heated or air conditioned spaces

Plaster Frame

- Galvanized steel frame. Housing adjusts in plaster frame to accommodate up to 1-3/8" ceiling thickness.
- Regressed locking screw for securing hanger bars.
- Cutouts included for easily crimping hanger bars in position.

Slide-N-Side™ Junction Box

- Positioned to accommodate straight conduit runs.
- Seven 1/2" trade size conduit knockouts with true pry-out slots.
- Slide-N-Side wire traps allow non metallic sheathed cable to be installed without tools and without removing knockouts.
- Allows wiring connections to be made outside the box.
- Simply insert the cable directly into the trap after connections are made.
- Accommodates the following standard non-metallic sheathed cable type:
 - U.S. #14/2, #14/3, #12/2, #12/3
 - Canada: #14/2, #14/3, #12/2

GOT NAIL! Pass -N-Thru™ Bar Hangers

Bar Hanger features include

- Pre-installed nail easily installs in regular lumber, engineered lumber and laminated beams.
- Safety and Guidance system prevents snagging, ensures smooth, straight nail penetration and allows bar hangers to be easily removed if necessary
- Automatic leveling flange aligns the housing and allows holding the housing in place with one hand while driving nails.
- Housing can be positioned at any point within 24" joist spans
- Score lines allow tool-free shortening for 12" joists and bar hangers do not need to be removed for shortening.
- Bar hangers may be repositioned 90° on plaster frame
- Integral T-bar clip snaps onto T-bars – no additional clips are required.

LED Module Connection

Halo ML56 LED light modules simply install with a plug-in 120V/277V rated line voltage wiring connector (UL and CSA Listed Luminaire Disconnect). This non-screw-base connection preserves the high efficacy rating and prevents use of low efficacy incandescent sources.

Caution

LED connection is rated for 120V and 277V input. Installer must verify LED module voltage is compatible with the applicable voltage input. If uncertain, consult a qualified electrician.

Labels

- UL/cUL Listed 1598 Luminaire
- UL/cUL Listed for Feed Through
- UL/cUL Listed for Damp Location
- UL/cUL Listed for Wet Location with select trims
- UL/cUL Listed for Direct Contact with insulation and combustible material*

Compliance

- For use with ENERGY STAR® certified Halo LED modules and trims.
- Can be used for State of California Title 24 high efficacy compliance with designated Halo LED modules and trims.
- Can be used for International Energy Conservation Code (IECC) high efficacy compliance with designated Halo LED modules and trims.
- Refer to ENERGY STAR® certified Product List and CEC (T20) Database for listings.
- Options to meet Trade Agreements Act requirements

Qualification

IC and AIR-TITE™ Certified under ASTM-E283 and listed UL/cUL 1598. May be used to meet insulated ceiling* and restricted air-flow requirements such as:

- Washington State Energy Code
- International Energy Conservation Code (IECC)
- New York State Energy Conservation Construction Code (NY-ECCC)
- State of California Title 24 "Recessed Luminaires in Insulated Ceilings."

* Not to be used in direct contact with spray foam insulation.



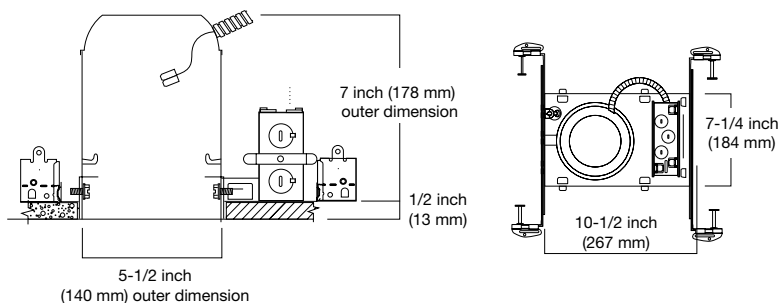
H550ICAT

5" New Construction IC AIR-TITE™ Housing For Halo ML56 LED Modules with 59x Halo LED Series Trims and maybe used with High Efficacy LED Housing RA56, RL56, LA56, LT56, RSQ5, SLD6, SMD6 LED modules

FOR USE IN INSULATED CEILINGS FOR DIRECT CONTACT WITH INSULATION*



Refer to ENERGY STAR® Certified Products List and CEC (T20) Database for listings.



ORDERING INFORMATION

SAMPLE NUMBER: H550ICAT - ML5606830 - 593WB
Order housing, light module, trim and separately.

Domestic Preferences ⁽¹⁾	Housing	ML56 LED Light Modules	ML56 LED 5" Trims	ML56 System Accessories	ML56 Beam Forming Optic
[Blank] = Standard TAA = Trade Agreements Act	H550ICAT= 5" Dedicated LED Insulated Ceiling, AIR-TITE New Construction Housing	<p>600 Series / 80 CRI ML5606827= 5"/6" LED Retrofit Downlight Light Module, 600 lumen, 80CRI, 2700K ML5606830= 5"/6" LED Retrofit Downlight Light Module, 600 lumen, 80CRI, 3000K ML5606835= 5"/6" LED Retrofit Downlight Light Module, 600 lumen, 80CRI, 3500K ML5606840= 5"/6" LED Retrofit Downlight Light Module, 600 lumen, 80CRI, 4000K</p> <p>600 Series / 90 CRI ML5606927= 5"/6" LED Retrofit Downlight Light Module, 600 lumen, 90CRI, 2700K ML5606930= 5"/6" LED Retrofit Downlight Light Module, 600 lumen, 90CRI, 3000K ML5606935= 5"/6" LED Retrofit Downlight Light Module, 600 lumen, 90CRI, 3500K ML5606940= 5"/6" LED Retrofit Downlight Light Module, 600 lumen, 90CRI, 4000K</p> <p>900 Series / 80 CRI ML5609827= 5"/6" LED Retrofit Downlight Light Module, 900 lumen, 80CRI, 2700K ML5609830= 5"/6" LED Retrofit Downlight Light Module, 900 lumen, 80CRI, 3000K ML5609835= 5"/6" LED Retrofit Downlight Light Module, 900 lumen, 80CRI, 3500K ML5609840= 5"/6" LED Retrofit Downlight Light Module, 900 lumen, 80CRI, 4000K</p> <p>900 Series / 90 CRI ML5609927= 5"/6" LED Retrofit Downlight Light Module, 900 lumen, 90CRI, 2700K ML5609930= 5"/6" LED Retrofit Downlight Light Module, 900 lumen, 90CRI, 3000K ML5609935= 5"/6" LED Retrofit Downlight Light Module, 900 lumen, 90CRI, 3500K ML5609940= 5"/6" LED Retrofit Downlight Light Module, 900 lumen, 90CRI, 4000K</p> <p>1200 Series / 80 CRI ML5612827= 5"/6" LED Light Module, 1200 lumen, 80CRI, 2700K ML5612830= 5"/6" LED Light Module, 1200 lumen, 80CRI, 3000K ML5612835= 5"/6" LED Light Module, 1200 lumen, 80CRI, 3500K ML5612840= 5"/6" LED Light Module, 1200 lumen, 80CRI, 4000K</p> <p>1200 Series / 90 CRI ML5612927= 5"/6" LED Light Module, 1200 lumen, 90CRI, 2700K ML5612930= 5"/6" LED Light Module, 1200 lumen, 90CRI, 3000K ML5612935= 5"/6" LED Light Module, 1200 lumen, 90CRI, 3500K ML5612940= 5"/6" LED Light Module, 1200 lumen, 90CRI, 4000K</p>	<p>590 Series - 5" LED Trims 591WB=5" LED Trim, Polymer "Dead-Front", Shallow White Baffle & Flange – Shallow and Standard housings (For use with 600 Series LED Light Modules only) 592SC=5" LED Trim, Specular Reflector & White Flange 592H=5" LED Trim, Haze Reflector & White Flange 592W=5" LED Trim, White Reflector & Flange 593WB=5" LED Trim, White Micro-Step Baffle & Flange 593BB=5" LED Trim, Black Micro-Step Baffle & White Flange 593SNB=5" LED Trim, Satin Nickel Micro-Step Baffle & Flange 593TBZB=5" LED Trim, Tuscan Bronze Micro-Step Baffle & Flange 594WB=5" LED Directional Trim, White Eyeball, Baffle & Flange – Shallow and Standard Housings 594SNB=5" LED Directional Trim, Satin Nickel Eyeball, Baffle & Flange – Shallow and Standard Housings 594TBZB=5" LED Directional Trim, Tuscan Bronze Eyeball, Baffle & Flange – Shallow and Standard Housings 595WW=5" LED Trim, Wall Wash - Specular Reflector, Repositionable Specular Kick Reflector, White Flange 596WB=5" LED Trim, White Shallow Baffle & Flange – Shallow and Standard Housings</p>	<p>TRM590WH=5" LED Oversize Trim Ring for use with ML56 LED 59* series trims, White 6.3" I.D., 7.5" O.D. Ring slips over LED trim. Inset design allows 5" trim to fit into oversize ring for an even trim surface WW595SC=5" Wall wash insert - Kick reflector for 595WW (1-included with trim) double or corner wall wash</p>	<p>1200 Series Accessories BFR56NFL=Beam forming reflector kit, narrow flood, 25" nominal BFR56MH=Media holder, accepts one 3.45" lens. Requires BFR56NFL & L345SF, order separately. BFR56NFL=3.45" diameter soft focus lens. Requires BFR56NFL & BFR56MH, order separately.</p>

Notes: (1) Only product configurations with this designated prefix are built to be compliant with the Trade Agreements Act of 1979 (TAA). Please refer to [DOMESTIC PREFERENCES](#) website for more information. Components shipped separately may be separately analyzed under domestic preference requirements. Accessories sold separately will be separately analyzed under domestic preference requirements. Consult factory for further information.

*Outdoor rated lamp only (purchase separately)



Cooper Lighting Solutions
 1121 Highway 74 South
 Peachtree City, GA 30269
 P: 770-486-4800
www.cooperlighting.com

Specifications and dimensions subject to change without notice.