

NO.	NOTE	DESCRIPTION	QTY
1	1305026520	FRAME 30 X 83 X 36	1
2	1305026743	VERTICAL CABLE MGT / U.A.C. - 4.75 X (77)	1
3	1305021980	VERTICAL CABLE MGT 3.25 x (77) x 5	2
4	1.30504e+009	MOUNTING RAIL CAGE-NUT 5.25" FOR BRUSH	4
5	1305039067 - (27)	TOP COVER 4 FAN CUT-OUTS 6"	1
6	1305027783	6" FAN CUTOUT COVER PLATE	4
7	1305038320	TOP FRONT COVER PLATE	2
8	1305026153	PERFORATED DOOR (27 x 77)	1
9	1305025239	SIDE PANEL (77) X 36 WITH LOCKS	2
10	1305026521	SPLIT DOOR PERFORATED RH (27 x 77)	1
11	1305026522	SPLIT DOOR PERFORATED LH (27 x 77)	1
12	FC 4440	LEVELLER, INSULATED	4

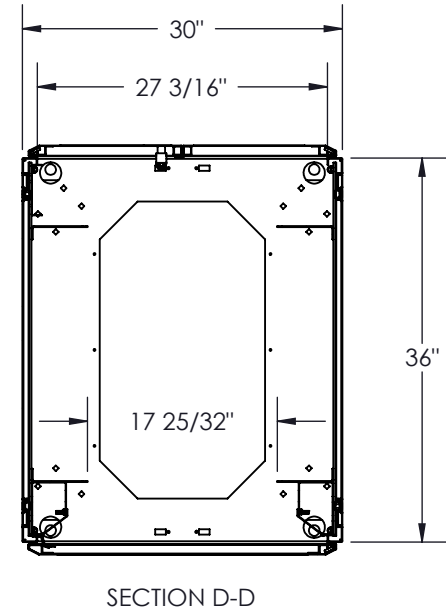
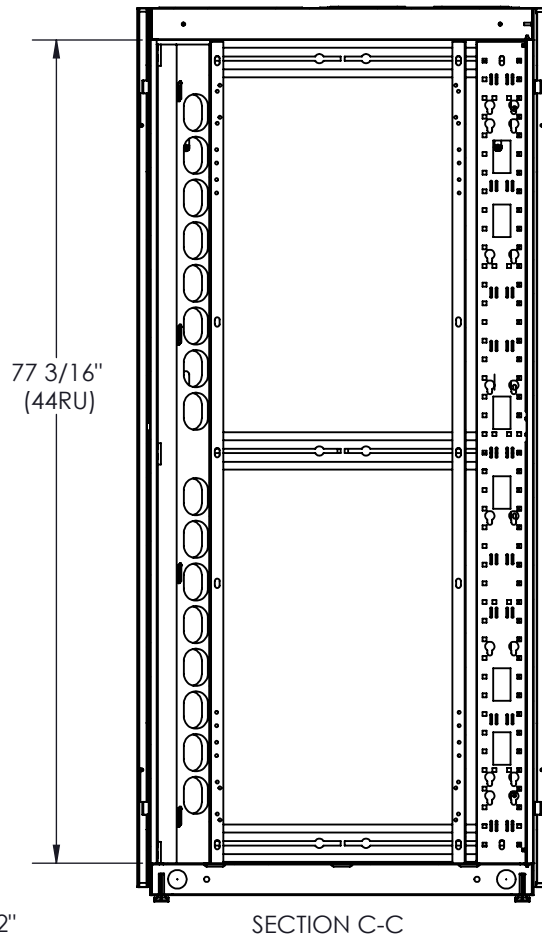
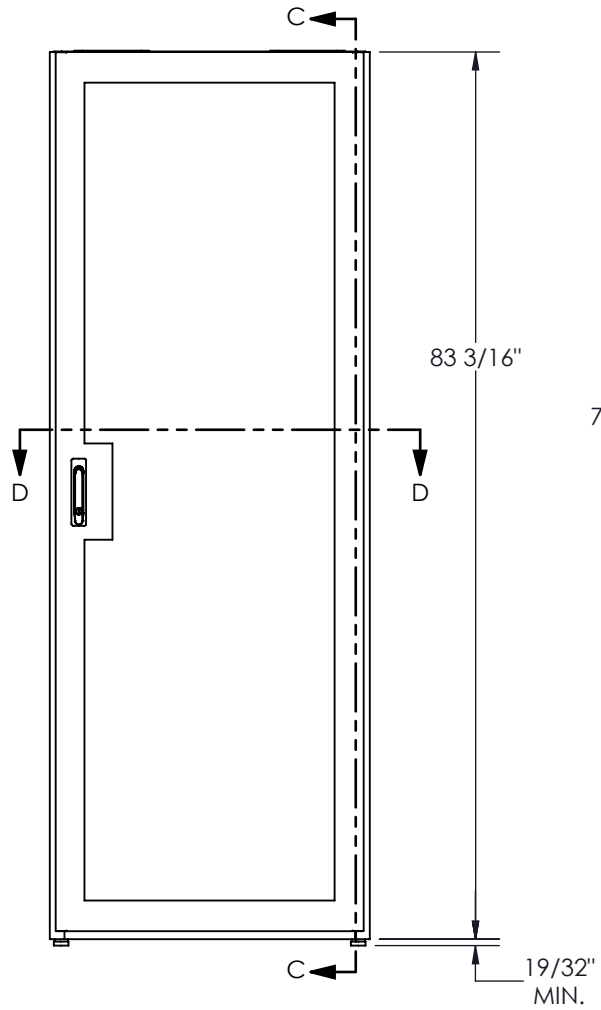
NOTES:

- 1 - MOUNTING RAIL TO HAVE RU MARKINGS.
- 2 - APPROXIMATE WEIGHT: 354 LBS.
- 3 - CAPACITY: 2000 LBS
- 4 - 100 CAGE-NUTS 10-32 SHIPPED LOOSE.
- 5 - 100 TRUSS HEAD SCREW 10-32 x 1/2 SHIPPED LOOSE.
- 6 - CERTIFIED TO CSA STANDARD C22.2 NO. 70950-1-07



**PROPRIETARY AND CONFIDENTIAL**  
 THE INFORMATION CONTAINED IN THIS DRAWING IS THE SOLE PROPERTY OF A.I.G. ELECTRON METAL INC. ANY REPRODUCTION IN PART OR AS A WHOLE WITHOUT THE WRITTEN PERMISSION OF A.I.G. ELECTRON METAL INC IS PROHIBITED.

DRAWN BY: S.D.		Title: SERIES 4000 44RU (27 x 77) x 36 NET CFG			
CHECKED BY: E.D.		PROJECT: Cabinets\Series4000		FILE: KitNet27x77x36_1305027019_Eng	
PART NO.:	DRAWING NO.:	REV.:	SCALE:	DATE:	SHEET:
CB4KNW-274436	1305027019	B	1:20	2009-08-10	1 / 2



**Electron METAL**

**PROPRIETARY AND CONFIDENTIAL**  
 THE INFORMATION CONTAINED IN THIS DRAWING IS THE SOLE PROPERTY OF A.I.G. ELECTRON METAL INC. ANY REPRODUCTION IN PART OR AS A WHOLE WITHOUT THE WRITTEN PERMISSION OF A.I.G. ELECTRON METAL INC IS PROHIBITED.

DRAWN BY: S.D.		Title: SERIES 4000 44RU (27 x 77) x 36 NET CFG				
CHECKED BY: E.D.						
PROJECT: Cabinets\Series4000			FILE: KitNet27x77x36_1305027019_Eng			
PART NO.:	DRAWING NO.:	REV.:	SCALE:	DATE:	SHEET:	
CB4KNW-274436	1305027019	B	1:18	2009-08-10	2 / 2	