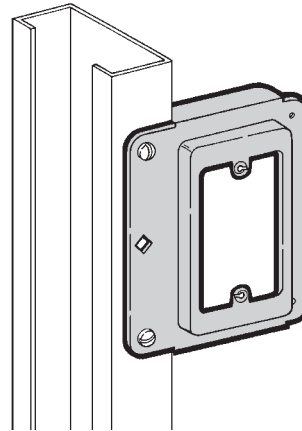


Cover Plate Mounting Bracket

- Provides attachment base for low voltage outlets: antenna, audio, computer, telephone, and security
- Locates communication outlets before drywall is installed
- Attaches to metal studs with screws (not included)
- Replaces electrical box in Class 2 low voltage installations
- For 1/2" (12.7mm) and 5/8" (15.9mm) drywall applications
- Finish: Pre-galvanized
- Box Quantity - 25



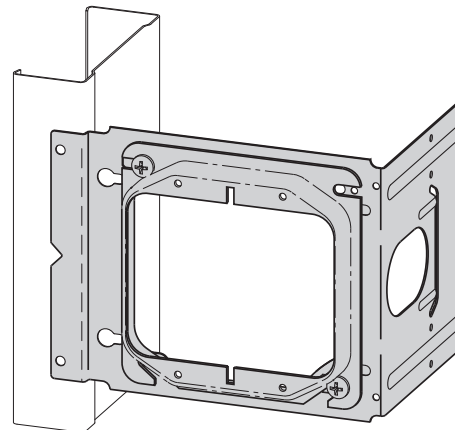
Part Number	Wt. Per 100	
	Lbs.	(kg)
BB15	13.8	(6.2)



✓ Popular item

Cover Plate Mounting Bracket

- Provides attachment base for low voltage outlets: antenna, audio, computer, telephone, and security
- Locates communication outlets before drywall is installed
- Attaches to metal studs with screws (not included)
- Heavy-duty double gang design with far side support
- Finish: Pre-galvanized
- Box Quantity - 25



Part Number	Drywall Thickness		Wt. Per 100	
	In.	(mm)	Lbs.	(kg)
BB423-208	1/2"	(13)	32.0	(14.5)
BB423-210	5/8"	(16)	35.2	(15.9)