

Series 2, 3, 4, & 5 - Fittings



Series 2, 3, 4, & 5 Fittings



How The Service Advisor Works

We know that your time is important! That's why the color-coding system in this catalog is designed to help you select products that fit your service needs. Products are marked to indicate the typical lead time for orders of 50 pieces or less.

Customer: How do I select my fittings so that I get the quickest turnaround?

Service Advisor: Each part of our selection chart is shown in colors. If any section of a part number is a different color, the part will typically ship with the longer lead time represented by the colors.

- Green = Fastest shipped items
- Black = Normal lead-time items
- Red = Normally long lead-time items

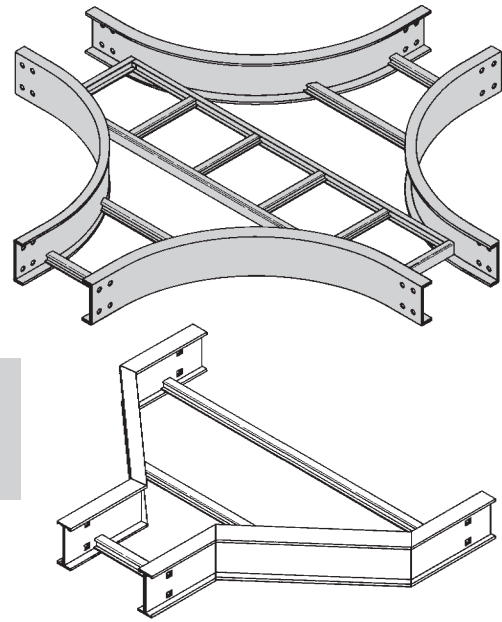
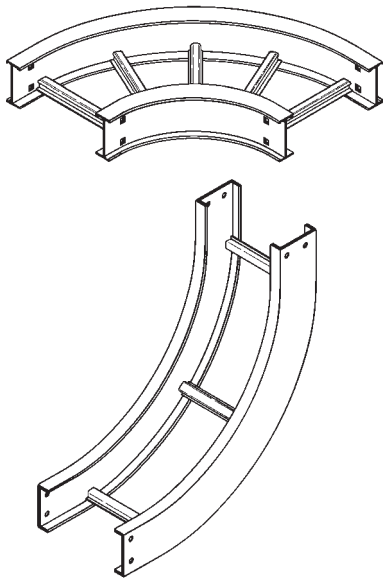
Example: 5 G - 09 - 90 HB 24

● ● ● ● ● ●

Part will have a long lead time because of the G material.

Changing the part number from G to A or P will change the coding to black and reduce lead time.

Series 2, 3, 4, & 5 - Fittings



Fittings engineered with 3" tangents for splicing integrity.

Fittings Part Numbering

Example: **4 A - 24 - 90 HB 24** (9" rung spacing is standard)

Side Rail Height	Material	Width	Angle	Type	Radius
● 4 = 4" (101)	● A = Aluminum	● 06 = 6" (152)	● 30 = 30°	● HB = Horizontal Bend	● 12 = 12" (305)
● 5 = 5" (127)	● G = HDGAF	● 09 = 9" (228)	● 45 = 45°	● HT = Horizontal Tee	● 24 = 24" (609)
● 6 = 6" (152)	● P = Pre-Galvanized	● 12 = 12" (305)	● 60 = 60°	● HX = Horizontal Cross	● 36 = 36" (914)
● 7 = 7" (178)	● SS4 = 304 Stainless Steel	● 18 = 18" (457)	● 90 = 90°	● VI = Vertical Inside Bend	● 48 = 48" (1219)
	● SS6 = 316 Stainless Steel	● 24 = 24" (609)		● VO = Vertical Outside Bend	
		● 30 = 30" (762)		● VT = Vertical Tee	
		● 36 = 36" (914)		● VTU = Vertical Tee, Up	
				● HYR = Horizontal Wye, Right	
				● HYL = Horizontal Wye, Left	
				● CSF = Cable Support Fitting	
				● LR = Left Reducer Fitting	
				● RR = Right Reducer Fitting	
				● SR = Straight Reducer Fitting	

See page APP-2 for 6" fittings with 9A-6006 and 9A-6007 splice plates.

For ventilated trough, solid trough, ventilated bottom or solid bottom, add VT, ST, 04 or SB as shown below: Available 6" thru 36"

Prefix
4AVT - 24 - 90HB24
Vented Trough

Prefix
4PST - 24 - 90HB24
Non-Ventilated Trough

For flat non-ventilated: Available 6" and Wider

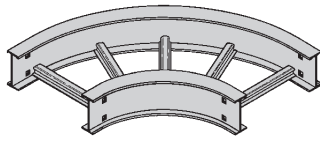
Prefix
5PSB - 24 - 90HB24
Non-Ventilated

Note: Horizontal crosses and tees 30" or wider, with a radius of 36" or larger, will be of two-piece construction.

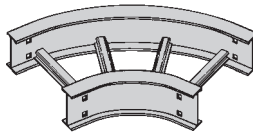
● Green = Fastest shipped items ● Black = Normal lead-time items ● Red = Normally long lead-time items

All dimensions in parentheses are millimeters unless otherwise specified.

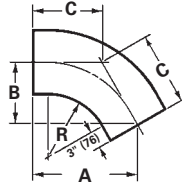
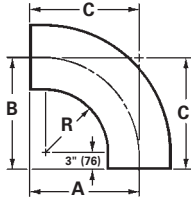
Series 2, 3, 4, & 5 - Fittings



90° Horizontal Bend



60° Horizontal Bend



Horizontal Bend 90° 60° (HB)

1 pair splice plates with hardware included.

Bottoms manufactured:

Ladder = 9" Rung Spacing

VT & 04 = 4" Rung Spacing

ST & SB = Flat sheet over 12" Rung Spacing

Bend Radius R	Tray Width	90° Horizontal Bend Dimensions				60° Horizontal Bend Dimensions			
		Catalog No.	A	B	C	Catalog No.	A	B	C
in. (mm)	in. (mm)		in. (mm)	in. (mm)	in. (mm)		in. (mm)	in. (mm)	in. (mm)
12 (305)	6 (152)	(Pre)-06-90HB12	18 (457)	18 (457)	18 (457)	(Pre)-06-60HB12	17 ¹ / ₂ (445)	10 ¹ / ₈ (257)	11 ¹¹ / ₁₆ (297)
	9 (228)	(Pre)-09-90HB12	19 ¹ / ₂ (495)	19 ¹ / ₂ (495)	19 ¹ / ₂ (495)	(Pre)-09-60HB12	18 ¹³ / ₁₆ (478)	10 ⁷ / ₈ (276)	12 ¹ / ₂ (318)
	12 (305)	(Pre)-12-90HB12	21 (533)	21 (533)	21 (533)	(Pre)-12-60HB12	20 ¹ / ₁₆ (510)	11 ⁵ / ₈ (295)	13 ³ / ₈ (340)
	18 (457)	(Pre)-18-90HB12	24 (610)	24 (610)	24 (610)	(Pre)-18-60HB12	22 ¹¹ / ₁₆ (576)	13 ¹ / ₈ (333)	15 ¹ / ₈ (384)
	24 (609)	(Pre)-24-90HB12	27 (686)	27 (686)	27 (686)	(Pre)-24-60HB12	25 ⁵ / ₁₆ (643)	14 ⁵ / ₈ (372)	16 ⁷ / ₈ (429)
	30 (762)	(Pre)-30-90HB12	30 (762)	30 (762)	30 (762)	(Pre)-30-60HB12	27 ⁷ / ₈ (708)	16 ¹ / ₈ (410)	18 ⁹ / ₁₆ (472)
	36 (914)	(Pre)-36-90HB12	33 (838)	33 (838)	33 (838)	(Pre)-36-60HB12	30 ¹ / ₂ (775)	17 ⁵ / ₈ (448)	20 ⁵ / ₁₆ (516)
42 (1067)	(Pre)-42-90HB12	36 (914)	36 (914)	36 (914)	(Pre)-42-60HB12	33 ¹ / ₁₆ (840)	19 ¹ / ₈ (486)	22 ¹ / ₁₆ (560)	
24 (610)	6 (152)	(Pre)-06-90HB24	30 (762)	30 (762)	30 (762)	(Pre)-06-60HB24	27 ⁷ / ₈ (708)	16 ¹ / ₈ (410)	18 ⁹ / ₁₆ (472)
	9 (228)	(Pre)-09-90HB24	31 ¹ / ₂ (800)	31 ¹ / ₂ (800)	31 ¹ / ₂ (800)	(Pre)-09-60HB24	29 ³ / ₁₆ (741)	16 ⁷ / ₈ (429)	19 ⁷ / ₁₆ (494)
	12 (305)	(Pre)-12-90HB24	33 (838)	33 (838)	33 (838)	(Pre)-12-60HB24	30 ¹ / ₂ (775)	17 ⁵ / ₈ (448)	20 ⁵ / ₁₆ (516)
	18 (457)	(Pre)-18-90HB24	36 (914)	36 (914)	36 (914)	(Pre)-18-60HB24	33 ¹ / ₁₆ (708)	19 ¹ / ₈ (486)	22 ¹ / ₁₆ (560)
	24 (609)	(Pre)-24-90HB24	39 (991)	39 (991)	39 (991)	(Pre)-24-60HB24	35 ¹¹ / ₁₆ (907)	20 ⁵ / ₈ (524)	23 ¹³ / ₁₆ (605)
	30 (762)	(Pre)-30-90HB24	42 (1067)	42 (1067)	42 (1067)	(Pre)-30-60HB24	38 ¹ / ₄ (972)	22 ¹ / ₈ (564)	25 ¹ / ₂ (648)
	36 (914)	(Pre)-36-90HB24	45 (1143)	45 (1143)	45 (1143)	(Pre)-36-60HB24	40 ⁷ / ₈ (1038)	23 ⁵ / ₈ (600)	27 ¹ / ₄ (692)
42 (1067)	(Pre)-42-90HB24	48 (1219)	48 (1219)	48 (1219)	(Pre)-42-60HB24	43 ¹ / ₂ (1105)	25 ¹ / ₈ (638)	29 (737)	
36 (914)	6 (152)	(Pre)-06-90HB36	42 (1067)	42 (1067)	42 (1067)	(Pre)-06-60HB36	38 ¹ / ₄ (971)	22 ¹ / ₈ (562)	25 ¹ / ₂ (648)
	9 (228)	(Pre)-09-90HB36	43 ¹ / ₂ (1105)	43 ¹ / ₂ (1105)	43 ¹ / ₂ (1105)	(Pre)-09-60HB36	39 ⁹ / ₁₆ (1005)	22 ⁷ / ₈ (581)	26 ³ / ₈ (670)
	12 (305)	(Pre)-12-90HB36	45 (1143)	45 (1143)	45 (1143)	(Pre)-12-60HB36	40 ⁷ / ₈ (1038)	23 ⁵ / ₈ (600)	27 ¹ / ₄ (692)
	18 (457)	(Pre)-18-90HB36	48 (1219)	48 (1219)	48 (1219)	(Pre)-18-60HB36	43 ¹ / ₂ (1105)	25 ¹ / ₈ (638)	29 (737)
	24 (609)	(Pre)-24-90HB36	51 (1295)	51 (1295)	51 (1295)	(Pre)-24-60HB36	46 ¹ / ₁₆ (1170)	26 ⁵ / ₈ (676)	30 ¹¹ / ₁₆ (780)
	30 (762)	(Pre)-30-90HB36	54 (1372)	54 (1372)	54 (1372)	(Pre)-30-60HB36	48 ¹ / ₁₆ (1237)	28 ¹ / ₈ (714)	32 ⁷ / ₁₆ (824)
	36 (914)	(Pre)-36-90HB36	57 (1448)	57 (1448)	57 (1448)	(Pre)-36-60HB36	51 ¹ / ₄ (1302)	29 ⁵ / ₈ (753)	34 ³ / ₁₆ (869)
42 (1067)	(Pre)-42-90HB36	60 (1524)	60 (1524)	60 (1524)	(Pre)-42-60HB36	53 ⁷ / ₈ (1368)	31 ¹ / ₈ (791)	35 ¹⁵ / ₁₆ (913)	
48 (1220)	6 (152)	(Pre)-06-90HB48	54 (1372)	54 (1372)	54 (1372)	(Pre)-06-60HB48	48 ¹ / ₁₆ (1221)	28 ¹ / ₈ (715)	32 ¹¹ / ₁₆ (830)
	9 (228)	(Pre)-09-90HB48	55 ¹ / ₂ (1410)	55 ¹ / ₂ (1410)	55 ¹ / ₂ (1410)	(Pre)-09-60HB48	49 ¹⁵ / ₁₆ (1268)	28 ⁷ / ₈ (734)	33 ⁵ / ₁₆ (846)
	12 (305)	(Pre)-12-90HB48	57 (1448)	57 (1448)	57 (1448)	(Pre)-12-60HB48	51 ¹ / ₄ (1302)	29 ⁵ / ₈ (753)	34 ³ / ₁₆ (869)
	18 (457)	(Pre)-18-90HB48	60 (1524)	60 (1524)	60 (1524)	(Pre)-18-60HB48	53 ⁷ / ₈ (1368)	31 ¹ / ₈ (737)	35 ¹⁵ / ₁₆ (913)
	24 (609)	(Pre)-24-90HB48	63 (1600)	63 (1600)	63 (1600)	(Pre)-24-60HB48	56 ⁷ / ₁₆ (1434)	32 ⁵ / ₈ (829)	37 ⁵ / ₈ (956)
	30 (762)	(Pre)-30-90HB48	66 (1676)	66 (1676)	66 (1676)	(Pre)-30-60HB48	59 ¹ / ₁₆ (1500)	34 ¹ / ₈ (867)	39 ³ / ₈ (1000)
	36 (914)	(Pre)-36-90HB48	69 (1753)	69 (1753)	69 (1753)	(Pre)-36-60HB48	61 ¹¹ / ₁₆ (1567)	35 ⁵ / ₈ (905)	41 ¹ / ₈ (1045)
42 (1067)	(Pre)-42-90HB48	72 (1829)	72 (1829)	72 (1829)	(Pre)-42-60HB48	64 ¹ / ₄ (1632)	37 ¹ / ₈ (943)	42 ¹³ / ₁₆ (1087)	

(Pre) See page L-3 for catalog number prefix.

Width dimensions are to inside wall. For aluminum fittings add 1.5 inches (38mm) for total outside width.

Manufacturing tolerances apply to all dimensions.

All dimensions in parentheses are millimeters unless otherwise specified.

Series 2, 3, 4, & 5 - Fittings

Horizontal Bend 45° 30° (HB)

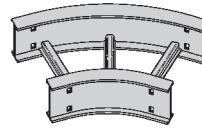
1 pair splice plates with hardware included.

Bottoms manufactured:

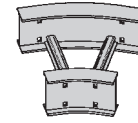
Ladder = 9" Rung Spacing

VT & 04 = 4" Rung Spacing

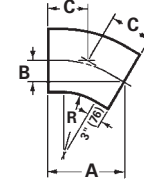
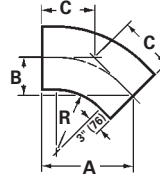
ST & SB = Flat sheet over 12" Rung Spacing



45° Horizontal Bend



30° Horizontal Bend



Bend Radius R	Tray Width	45° Horizontal Bend Dimensions				30° Horizontal Bend Dimensions			
		Catalog No.	A	B	C	Catalog No.	A	B	C
in. (mm)	in. (mm)		in. (mm)	in. (mm)	in. (mm)		in. (mm)	in. (mm)	in. (mm)
12 (305)	6 (152)	(Pre)-06-45HB12	15 ³ / ₄ (400)	6 ¹ / ₂ (165)	9 ³ / ₁₆ (233)	(Pre)-06-30HB12	13 ¹ / ₈ (333)	3 ¹ / ₂ (89)	7 (179)
	9 (228)	(Pre)-09-45HB12	16 ¹³ / ₁₆ (427)	6 ¹⁵ / ₁₆ (176)	9 ¹³ / ₁₆ (249)	(Pre)-09-30HB12	13 ⁷ / ₈ (352)	3 ¹¹ / ₁₆ (94)	7 ⁷ / ₁₆ (189)
	12 (305)	(Pre)-12-45HB12	17 ⁷ / ₈ (454)	7 ³ / ₈ (187)	10 ⁷ / ₁₆ (265)	(Pre)-12-30HB12	14 ⁵ / ₈ (372)	3 ¹⁵ / ₁₆ (100)	7 ¹³ / ₁₆ (198)
	18 (457)	(Pre)-18-45HB12	20 (508)	8 ¹ / ₄ (210)	11 ¹¹ / ₁₆ (297)	(Pre)-18-30HB12	16 ¹ / ₈ (410)	4 ⁵ / ₁₆ (135)	8 ⁵ / ₈ (219)
	24 (609)	(Pre)-24-45HB12	22 ¹ / ₁₆ (560)	9 ¹ / ₈ (232)	12 ¹⁵ / ₁₆ (329)	(Pre)-24-30HB12	17 ⁵ / ₈ (448)	4 ¹¹ / ₁₆ (119)	9 ⁷ / ₁₆ (240)
	30 (762)	(Pre)-30-45HB12	24 ³ / ₁₆ (614)	10 (254)	14 ³ / ₁₆ (360)	(Pre)-30-30HB12	19 ¹ / ₈ (486)	5 ¹ / ₈ (130)	10 ¹ / ₄ (260)
	36 (914)	(Pre)-36-45HB12	26 ⁵ / ₁₆ (668)	10 ¹⁵ / ₁₆ (278)	15 ⁷ / ₁₆ (392)	(Pre)-36-30HB12	20 ⁵ / ₈ (524)	5 ¹ / ₂ (140)	11 ¹ / ₁₆ (281)
	42 (1067)	(Pre)-42-45HB12	28 ⁷ / ₁₆ (722)	11 ¹³ / ₁₆ (300)	16 ¹¹ / ₁₆ (424)	(Pre)-42-30HB12	22 ¹ / ₈ (562)	5 ¹⁵ / ₁₆ (151)	11 ¹³ / ₁₆ (300)
24 (610)	6 (152)	(Pre)-06-45HB24	24 ³ / ₁₆ (614)	10 (254)	14 ³ / ₁₆ (360)	(Pre)-06-30HB24	19 ¹ / ₈ (486)	5 ¹ / ₈ (130)	10 ¹ / ₄ (260)
	9 (228)	(Pre)-09-45HB24	25 ¹ / ₄ (641)	10 ¹ / ₂ (267)	14 ¹³ / ₁₆ (376)	(Pre)-09-30HB24	19 ⁷ / ₈ (505)	5 ⁵ / ₁₆ (135)	10 ⁵ / ₈ (270)
	12 (305)	(Pre)-12-45HB24	26 ⁵ / ₁₆ (668)	10 ¹⁵ / ₁₆ (278)	15 ⁷ / ₁₆ (392)	(Pre)-12-30HB24	20 ⁵ / ₈ (524)	5 ¹ / ₂ (140)	11 ¹ / ₁₆ (281)
	18 (457)	(Pre)-18-45HB24	28 ⁷ / ₁₆ (722)	11 ¹³ / ₁₆ (300)	16 ¹¹ / ₁₆ (424)	(Pre)-18-30HB24	22 ¹ / ₈ (562)	5 ¹⁵ / ₁₆ (151)	11 ¹³ / ₁₆ (300)
	24 (609)	(Pre)-24-45HB24	30 ⁹ / ₁₆ (766)	12 ¹¹ / ₁₆ (322)	17 ¹⁵ / ₁₆ (456)	(Pre)-24-30HB24	23 ⁵ / ₈ (600)	6 ⁵ / ₁₆ (160)	12 ⁵ / ₈ (321)
	30 (762)	(Pre)-30-45HB24	32 ¹¹ / ₁₆ (830)	13 ⁹ / ₁₆ (344)	19 ¹ / ₈ (486)	(Pre)-30-30HB24	25 ¹ / ₈ (638)	6 ³ / ₄ (172)	13 ⁷ / ₁₆ (341)
	36 (914)	(Pre)-36-45HB24	34 ¹³ / ₁₆ (884)	14 ⁷ / ₁₆ (367)	20 ³ / ₈ (518)	(Pre)-36-30HB24	26 ⁵ / ₈ (676)	7 ¹ / ₈ (181)	14 ¹ / ₄ (362)
	42 (1067)	(Pre)-42-45HB24	36 ¹⁵ / ₁₆ (938)	15 ⁵ / ₁₆ (389)	21 ⁵ / ₈ (549)	(Pre)-42-30HB24	28 ¹ / ₈ (715)	7 ¹ / ₂ (191)	15 ¹ / ₁₆ (383)
36 (914)	6 (152)	(Pre)-06-45HB36	32 ¹¹ / ₁₆ (830)	13 ⁹ / ₁₆ (344)	19 ¹ / ₈ (486)	(Pre)-06-30HB36	25 ¹ / ₈ (638)	6 ³ / ₄ (171)	13 ⁷ / ₁₆ (341)
	9 (228)	(Pre)-09-45HB36	33 ³ / ₄ (857)	14 (356)	19 ³ / ₄ (502)	(Pre)-09-30HB36	25 ⁷ / ₈ (657)	6 ¹⁵ / ₁₆ (176)	13 ⁷ / ₈ (352)
	12 (305)	(Pre)-12-45HB36	34 ¹³ / ₁₆ (884)	14 ⁷ / ₁₆ (367)	20 ³ / ₈ (518)	(Pre)-12-30HB36	26 ⁵ / ₈ (676)	7 ¹ / ₈ (181)	14 ¹ / ₄ (362)
	18 (457)	(Pre)-18-45HB36	36 ¹⁵ / ₁₆ (938)	15 ⁵ / ₁₆ (389)	21 ⁵ / ₈ (549)	(Pre)-18-30HB36	28 ¹ / ₈ (715)	7 ¹ / ₂ (191)	15 ¹ / ₁₆ (383)
	24 (609)	(Pre)-24-45HB36	39 ¹ / ₁₆ (992)	16 ³ / ₁₆ (411)	22 ⁷ / ₈ (581)	(Pre)-24-30HB36	29 ⁵ / ₈ (753)	7 ¹⁵ / ₁₆ (202)	15 ⁷ / ₈ (403)
	30 (762)	(Pre)-30-45HB36	41 ³ / ₁₆ (1046)	17 ¹ / ₁₆ (433)	24 ¹ / ₈ (613)	(Pre)-30-30HB36	31 ¹ / ₈ (790)	8 ⁵ / ₁₆ (211)	16 ¹¹ / ₁₆ (424)
	36 (914)	(Pre)-36-45HB36	43 ⁵ / ₁₆ (1100)	17 ¹⁵ / ₁₆ (456)	25 ³ / ₈ (645)	(Pre)-36-30HB36	32 ⁵ / ₈ (829)	8 ³ / ₄ (222)	17 ¹ / ₂ (445)
	42 (1067)	(Pre)-42-45HB36	45 ⁷ / ₁₆ (1154)	18 ¹³ / ₁₆ (478)	26 ⁵ / ₈ (676)	(Pre)-42-30HB36	34 ¹ / ₈ (867)	9 ¹ / ₈ (232)	18 ¹ / ₄ (464)
48 (1220)	6 (152)	(Pre)-06-45HB48	41 ³ / ₁₆ (1046)	17 ¹ / ₁₆ (433)	24 ¹ / ₈ (613)	(Pre)-06-30HB48	31 ¹ / ₈ (791)	8 ⁵ / ₁₆ (211)	16 ¹¹ / ₁₆ (424)
	9 (228)	(Pre)-09-45HB48	42 ¹ / ₄ (1073)	17 ¹ / ₂ (445)	24 ³ / ₄ (629)	(Pre)-09-30HB48	31 ⁷ / ₈ (810)	8 ⁹ / ₁₆ (218)	17 ¹ / ₁₆ (433)
	12 (305)	(Pre)-12-45HB48	43 ⁵ / ₁₆ (1100)	17 ¹⁵ / ₁₆ (456)	25 ³ / ₈ (645)	(Pre)-12-30HB48	32 ⁵ / ₈ (829)	8 ³ / ₄ (222)	17 ¹ / ₂ (445)
	18 (457)	(Pre)-18-45HB48	45 ⁷ / ₁₆ (1154)	18 ¹³ / ₁₆ (487)	26 ⁵ / ₈ (676)	(Pre)-18-30HB48	34 ¹ / ₈ (867)	9 ¹ / ₈ (232)	18 ¹ / ₄ (464)
	24 (609)	(Pre)-24-45HB48	47 ⁹ / ₁₆ (1208)	19 ¹¹ / ₁₆ (500)	27 ⁷ / ₈ (708)	(Pre)-24-30HB48	35 ⁵ / ₈ (905)	9 ⁹ / ₁₆ (243)	19 ¹ / ₁₆ (484)
	30 (762)	(Pre)-30-45HB48	49 ¹¹ / ₁₆ (1262)	20 ⁹ / ₁₆ (522)	29 ¹ / ₈ (740)	(Pre)-30-30HB48	37 ¹ / ₈ (943)	9 ¹⁵ / ₁₆ (252)	19 ⁷ / ₈ (505)
	36 (914)	(Pre)-36-45HB48	51 ¹³ / ₁₆ (1316)	21 ⁷ / ₁₆ (545)	30 ⁵ / ₁₆ (770)	(Pre)-36-30HB48	38 ⁵ / ₈ (981)	10 ⁵ / ₁₆ (262)	20 ¹¹ / ₁₆ (525)
	42 (1067)	(Pre)-42-45HB48	54 ¹⁵ / ₁₆ (1395)	22 ⁵ / ₁₆ (567)	31 ⁹ / ₁₆ (802)	(Pre)-42-30HB48	40 ¹ / ₈ (1019)	10 ³ / ₄ (273)	21 ¹ / ₂ (546)

(Pre) See page L-3 for catalog number prefix.

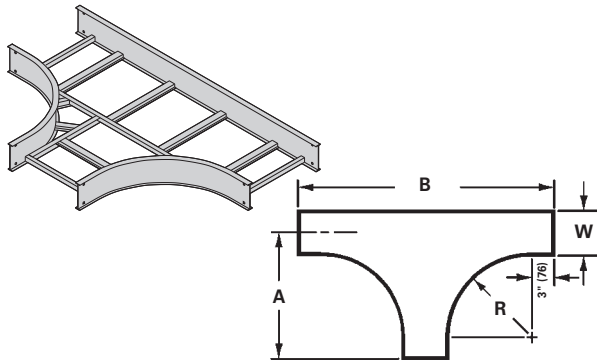
Width dimensions are to inside wall. For aluminum fittings add 1.5 inches (38mm) for total outside width.

Manufacturing tolerances apply to all dimensions.

All dimensions in parentheses are millimeters unless otherwise specified.

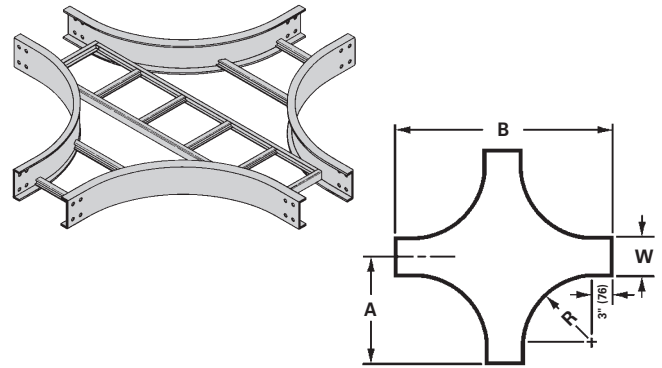
Horizontal Tee (HT)

2 pair splice plates with hardware included.



Horizontal Cross (HX)

3 pair splice plates with hardware included.



Bend Radius R	Tray Width	Horizontal Tee			Horizontal Cross		
		Catalog Number	Dimensions		Catalog Number	Dimensions	
			A	B		A	B
in. (mm)	in. (mm)	in. (mm)	in. (mm)	in. (mm)	in. (mm)	in. (mm)	
12 (305)	6 (152)	(Prefix)-06-HT12	18 (457)	36 (914)	(Prefix)-06-HX12	18 (457)	36 (914)
	9 (229)	(Prefix)-09-HT12	19 1/2 (496)	39 (991)	(Prefix)-09-HX12	19 1/2 (496)	39 (991)
	12 (305)	(Prefix)-12-HT12	21 (533)	42 (1067)	(Prefix)-12-HX12	21 (533)	42 (1067)
	18 (457)	(Prefix)-18-HT12	24 (609)	48 (1219)	(Prefix)-18-HX12	24 (609)	48 (1219)
	24 (609)	(Prefix)-24-HT12	27 (686)	54 (1372)	(Prefix)-24-HX12	27 (686)	54 (1372)
	30 (762)	(Prefix)-30-HT12	30 (762)	60 (1524)	(Prefix)-30-HX12	30 (762)	60 (1524)
	36 (914)	(Prefix)-36-HT12	33 (838)	66 (1676)	(Prefix)-36-HX12	33 (838)	66 (1676)
42 (1067)	(Prefix)-42-HT12	36 (914)	72 (1829)	(Prefix)-42-HX12	36 (914)	72 (1829)	
24 (610)	6 (152)	(Prefix)-06-HT24	30 (762)	60 (1524)	(Prefix)-06-HX24	30 (762)	60 (1524)
	9 (229)	(Prefix)-09-HT24	31 1/2 (800)	63 (1600)	(Prefix)-09-HX24	31 1/2 (800)	63 (1600)
	12 (305)	(Prefix)-12-HT24	33 (838)	66 (1676)	(Prefix)-12-HX24	33 (838)	66 (1676)
	18 (457)	(Prefix)-18-HT24	36 (914)	72 (1829)	(Prefix)-18-HX24	36 (914)	72 (1829)
	24 (609)	(Prefix)-24-HT24	39 (991)	78 (1982)	(Prefix)-24-HX24	39 (991)	78 (1982)
	30 (762)	(Prefix)-30-HT24	42 (1067)	84 (2134)	(Prefix)-30-HX24	42 (1067)	84 (2134)
	36 (914)	(Prefix)-36-HT24	45 (1143)	90 (2286)	(Prefix)-36-HX24	45 (1143)	90 (2286)
42 (1067)	(Prefix)-42-HT24	48 (1219)	96 (2438)	(Prefix)-42-HX24	48 (1219)	96 (2438)	
36 (914)	6 (152)	(Prefix)-06-HT36	42 (1067)	84 (2134)	(Prefix)-06-HX36	42 (1067)	84 (2134)
	9 (229)	(Prefix)-09-HT36	43 1/2 (1105)	87 (2210)	(Prefix)-09-HX36	43 1/2 (1105)	87 (2210)
	12 (305)	(Prefix)-12-HT36	45 (1143)	90 (2286)	(Prefix)-12-HX36	45 (1143)	90 (2286)
	18 (457)	(Prefix)-18-HT36	48 (1219)	96 (2438)	(Prefix)-18-HX36	48 (1219)	96 (2438)
	24 (609)	(Prefix)-24-HT36	51 (1295)	102 (2590)	(Prefix)-24-HX36	51 (1295)	102 (2590)
	30 (762)	(Prefix)-30-HT36	54 (1372)	108 (2744)	(Prefix)-30-HX36	54 (1372)	108 (2744)
	36 (914)	(Prefix)-36-HT36	57 (1448)	114 (2896)	(Prefix)-36-HX36	57 (1448)	114 (2896)
42 (1067)	(Prefix)-42-HT36	60 (1524)	120 (3048)	(Prefix)-42-HX36	60 (1524)	120 (3048)	
48 (1220)	6 (152)	(Prefix)-06-HT48	54 (1372)	108 (2744)	(Prefix)-06-HX48	54 (1372)	108 (2744)
	9 (229)	(Prefix)-09-HT48	55 1/2 (1410)	111 (2820)	(Prefix)-09-HX48	55 1/2 (1410)	111 (2820)
	12 (305)	(Prefix)-12-HT48	57 (1448)	114 (2896)	(Prefix)-12-HX48	57 (1448)	114 (2896)
	18 (457)	(Prefix)-18-HT48	60 (1524)	120 (3048)	(Prefix)-18-HX48	60 (1524)	120 (3048)
	24 (609)	(Prefix)-24-HT48	63 (1600)	126 (3200)	(Prefix)-24-HX48	63 (1600)	126 (3200)
	30 (762)	(Prefix)-30-HT48	66 (1676)	132 (3353)	(Prefix)-30-HX48	66 (1676)	132 (3353)
	36 (914)	(Prefix)-36-HT48	69 (1753)	138 (3535)	(Prefix)-36-HX48	69 (1753)	138 (3535)
42 (1067)	(Prefix)-42-HT48	72 (1829)	144 (3658)	(Prefix)-42-HX48	72 (1829)	144 (3658)	

(Prefix) See page L-3 for catalog number prefix.

Width dimensions are to inside wall. For aluminum fittings add 1.5 inches (38mm) for total outside width.

Manufacturing tolerances apply to all dimensions.

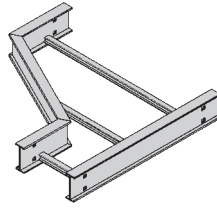
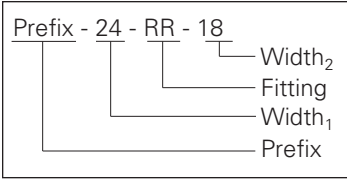
All dimensions in parentheses are millimeters unless otherwise specified.

Series 2, 3, 4, & 5 - Fittings

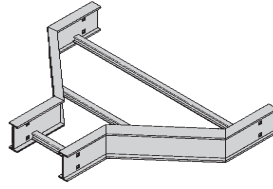
Reducers (LR, SR, RR)

1 pair splice plates with hardware included.

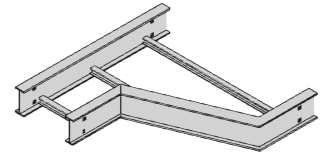
Reducer Part Numbering



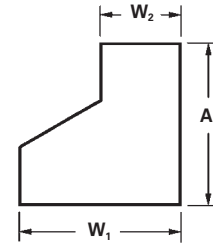
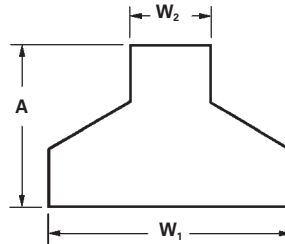
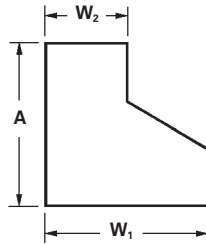
Left Reducer - LR



Straight Reducer SR



Right Reducer -RR



Tray Width		Left Hand Reducer		Straight Reducer		Right Hand Reducer	
W1	W2	Catalog No.	A	Catalog No.	A	Catalog No.	A
in. (mm)	in. (mm)		in. (mm)		in. (mm)		in. (mm)
9 (228)	6 (152)	(Prefix)-09-LR06	9 ³ / ₄ (248)	(Prefix)-09-SR06	8 ¹⁵ / ₁₆ (227)	(Prefix)-09-RR06	9 ³ / ₄ (248)
12 (305)	6 (152)	(Prefix)-12-LR06	11 ¹ / ₂ (292)	(Prefix)-12-SR06	9 ³ / ₄ (248)	(Prefix)-12-RR06	11 ¹ / ₂ (292)
	9 (228)	(Prefix)-12-LR09	9 ³ / ₄ (248)	(Prefix)-12-SR09	8 ¹⁵ / ₁₆ (227)	(Prefix)-12-RR09	9 ³ / ₄ (248)
18 (457)	6 (152)	(Prefix)-18-LR06	14 ¹⁵ / ₁₆ (379)	(Prefix)-18-SR06	11 ¹ / ₂ (292)	(Prefix)-18-RR06	14 ¹⁵ / ₁₆ (379)
	9 (228)	(Prefix)-18-LR09	13 ³ / ₁₆ (340)	(Prefix)-18-SR09	10 ⁵ / ₈ (270)	(Prefix)-18-RR09	13 ³ / ₁₆ (340)
	12 (305)	(Prefix)-18-LR12	11 ¹ / ₂ (292)	(Prefix)-18-SR12	9 ³ / ₄ (248)	(Prefix)-18-RR12	11 ¹ / ₂ (292)
24 (609)	6 (152)	(Prefix)-24-LR06	18 ³ / ₈ (467)	(Prefix)-24-SR06	13 ¹ / ₄ (336)	(Prefix)-24-RR06	18 ³ / ₈ (467)
	9 (228)	(Prefix)-24-LR09	16 ¹¹ / ₁₆ (424)	(Prefix)-24-SR09	12 ³ / ₈ (314)	(Prefix)-24-RR09	16 ¹¹ / ₁₆ (424)
	12 (305)	(Prefix)-24-LR12	14 ¹⁵ / ₁₆ (379)	(Prefix)-24-SR12	11 ¹ / ₂ (292)	(Prefix)-24-RR12	14 ¹⁵ / ₁₆ (379)
	18 (457)	(Prefix)-24-LR18	11 ¹ / ₂ (292)	(Prefix)-24-SR18	9 ³ / ₄ (248)	(Prefix)-24-RR18	11 ¹ / ₂ (292)
30 (762)	6 (152)	(Prefix)-30-LR06	21 ⁷ / ₈ (555)	(Prefix)-30-SR06	14 ¹⁵ / ₁₆ (379)	(Prefix)-30-RR06	21 ⁷ / ₈ (555)
	9 (228)	(Prefix)-30-LR09	20 ¹ / ₈ (511)	(Prefix)-30-SR09	14 ¹ / ₈ (359)	(Prefix)-30-RR09	20 ¹ / ₈ (511)
	12 (305)	(Prefix)-30-LR12	18 ³ / ₈ (467)	(Prefix)-30-SR12	13 ¹ / ₄ (336)	(Prefix)-30-RR12	18 ³ / ₈ (467)
	18 (457)	(Prefix)-30-LR18	14 ¹⁵ / ₁₆ (379)	(Prefix)-30-SR18	11 ¹ / ₂ (292)	(Prefix)-30-RR18	14 ¹⁵ / ₁₆ (379)
	24 (609)	(Prefix)-30-LR24	11 ¹ / ₂ (292)	(Prefix)-30-SR24	9 ³ / ₄ (248)	(Prefix)-30-RR24	11 ¹ / ₂ (292)
36 (914)	6 (152)	(Prefix)-36-LR06	25 ⁵ / ₁₆ (643)	(Prefix)-36-SR06	16 ¹¹ / ₁₆ (424)	(Prefix)-36-RR06	25 ⁵ / ₁₆ (643)
	9 (228)	(Prefix)-36-LR09	23 ⁹ / ₁₆ (598)	(Prefix)-36-SR09	15 ¹³ / ₁₆ (402)	(Prefix)-36-RR09	23 ⁹ / ₁₆ (598)
	12 (305)	(Prefix)-36-LR12	21 ⁷ / ₈ (555)	(Prefix)-36-SR12	14 ¹⁵ / ₁₆ (379)	(Prefix)-36-RR12	21 ⁷ / ₈ (555)
	18 (457)	(Prefix)-36-LR18	18 ³ / ₈ (467)	(Prefix)-36-SR18	13 ¹ / ₄ (336)	(Prefix)-36-RR18	18 ³ / ₈ (467)
	24 (609)	(Prefix)-36-LR24	14 ¹⁵ / ₁₆ (379)	(Prefix)-36-SR24	11 ¹ / ₂ (292)	(Prefix)-36-RR24	14 ¹⁵ / ₁₆ (379)
	30 (762)	(Prefix)-36-LR30	11 ¹ / ₂ (292)	(Prefix)-36-SR30	9 ³ / ₄ (248)	(Prefix)-36-RR30	11 ¹ / ₂ (292)
42 (1067)	6 (152)	(Prefix)-42-LR06	28 ³ / ₄ (730)	(Prefix)-42-SR06	18 ³ / ₈ (467)	(Prefix)-42-RR06	28 ³ / ₄ (730)
	9 (228)	(Prefix)-42-LR09	27 ¹ / ₁₆ (687)	(Prefix)-42-SR09	17 ⁹ / ₁₆ (446)	(Prefix)-42-RR09	27 ¹ / ₁₆ (687)
	12 (305)	(Prefix)-42-LR12	25 ⁵ / ₁₆ (643)	(Prefix)-42-SR12	16 ¹¹ / ₁₆ (424)	(Prefix)-42-RR12	25 ⁵ / ₁₆ (643)
	18 (457)	(Prefix)-42-LR18	21 ⁷ / ₈ (555)	(Prefix)-42-SR18	14 ¹⁵ / ₁₆ (379)	(Prefix)-42-RR18	21 ⁷ / ₈ (555)
	24 (609)	(Prefix)-42-LR24	18 ³ / ₈ (467)	(Prefix)-42-SR24	13 ¹ / ₄ (336)	(Prefix)-42-RR24	18 ³ / ₈ (467)
	30 (762)	(Prefix)-42-LR30	14 ¹⁵ / ₁₆ (379)	(Prefix)-42-SR30	11 ¹ / ₂ (292)	(Prefix)-42-RR30	14 ¹⁵ / ₁₆ (379)
	36 (914)	(Prefix)-42-LR36	11 ¹ / ₂ (292)	(Prefix)-42-SR36	9 ³ / ₄ (248)	(Prefix)-42-RR36	11 ¹ / ₂ (292)

(Prefix) See page L-3 for catalog number prefix.

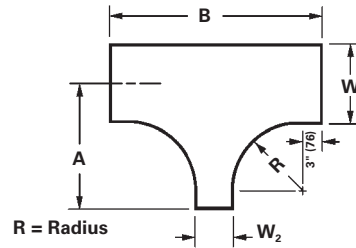
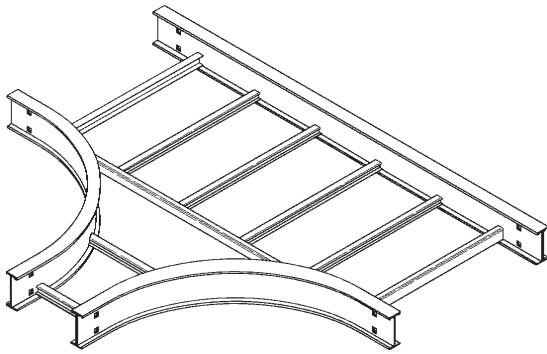
Width dimensions are to inside wall. For aluminum fittings add 1.5 inches (38mm) for total outside width.

Manufacturing tolerances apply to all dimensions.

All dimensions in parentheses are millimeters unless otherwise specified.

Horizontal Reducing Tee (HT)

2 pair splice plates with hardware included.



Prefix - 36 - 18 HT 24

Radius
Fitting
Width W₂
Width W₁

To complete catalog number, insert fitting prefix.

Tray Width		* Insert Radius (12", 24", 36", or 48") Catalog No.	12" Radius		24" Radius		36" Radius		48" Radius	
W1	W2		A	B	A	B	A	B	A	B
in.	mm		in.	mm	in.	mm	in.	mm	in.	mm
9 (228)	6 (152)	(Prefix)-09-06-HT*	19 1/2 (496)	36 (914)	31 1/2 (800)	60 (1524)	43 (1092)	84 (2134)	55 1/2 (1410)	108 (2743)
12 (305)	6 (152)	(Prefix)-12-06-HT*	21 (533)	36 (914)	33 (838)	60 (1524)	45 (1143)	84 (2134)	57 (1448)	108 (2743)
	9 (228)	(Prefix)-12-09-HT*	21 (533)	39 (991)	33 (838)	63 (1600)	45 (1143)	87 (2210)	57 (1448)	111 (2819)
18 (457)	6 (152)	(Prefix)-18-06-HT*	24 (609)	36 (914)	36 (914)	60 (1524)	48 (1143)	84 (2134)	60 (1524)	108 (2743)
	9 (228)	(Prefix)-18-09-HT*	24 (609)	39 (991)	36 (914)	63 (1600)	48 (1219)	87 (2210)	60 (1524)	111 (2819)
	12 (305)	(Prefix)-18-12-HT*	24 (609)	42 (1067)	36 (914)	66 (1676)	48 (1219)	90 (2286)	60 (1524)	114 (2895)
24 (609)	6 (152)	(Prefix)-24-06-HT*	27 (686)	36 (914)	39 (991)	60 (1524)	51 (1295)	84 (2134)	63 (1600)	108 (2743)
	9 (228)	(Prefix)-24-09-HT*	27 (686)	39 (991)	39 (991)	63 (1600)	51 (1295)	87 (2210)	63 (1600)	111 (2819)
	12 (305)	(Prefix)-24-12-HT*	27 (686)	42 (1067)	39 (991)	66 (1676)	51 (1295)	90 (2286)	63 (1600)	114 (2895)
	18 (457)	(Prefix)-24-18-HT*	27 (686)	48 (1219)	39 (991)	72 (1829)	51 (1295)	96 (2438)	63 (1600)	120 (3048)
30 (762)	6 (152)	(Prefix)-30-06-HT*	30 (762)	36 (914)	42 (1067)	60 (1524)	54 (1372)	84 (2134)	66 (1676)	108 (2743)
	9 (228)	(Prefix)-30-09-HT*	30 (762)	39 (991)	42 (1067)	63 (1600)	54 (1372)	87 (2210)	66 (1676)	111 (2819)
	12 (305)	(Prefix)-30-12-HT*	30 (762)	42 (1067)	42 (1067)	66 (1676)	54 (1372)	90 (2286)	66 (1676)	114 (2895)
	18 (457)	(Prefix)-30-18-HT*	30 (762)	48 (1219)	42 (1067)	72 (1829)	54 (1372)	96 (2438)	66 (1676)	120 (3048)
	24 (609)	(Prefix)-30-24-HT*	30 (762)	54 (1372)	42 (1067)	78 (1981)	54 (1372)	102 (2591)	66 (1676)	126 (3200)
36 (914)	6 (152)	(Prefix)-30-06-HT*	33 (838)	36 (914)	45 (1143)	60 (1524)	57 (1448)	84 (2134)	69 (1753)	108 (2743)
	9 (228)	(Prefix)-36-09-HT*	33 (838)	39 (991)	45 (1143)	63 (1600)	57 (1448)	87 (2210)	69 (1753)	111 (2819)
	12 (305)	(Prefix)-36-12-HT*	33 (838)	42 (1067)	45 (1143)	66 (1676)	57 (1448)	90 (2286)	69 (1753)	114 (2895)
	18 (457)	(Prefix)-36-18-HT*	33 (838)	48 (1219)	45 (1143)	72 (1829)	57 (1448)	96 (2438)	69 (1753)	120 (3048)
	24 (609)	(Prefix)-36-24-HT*	33 (838)	54 (1372)	45 (1143)	78 (1981)	57 (1448)	102 (2591)	69 (1753)	126 (3200)
42 (1067)	30 (762)	(Prefix)-36-30-HT*	33 (838)	60 (1524)	45 (1143)	84 (2134)	57 (1448)	108 (2743)	69 (1753)	132 (3353)
	6 (152)	(Prefix)-42-06-HT*	36 (914)	36 (914)	48 (1219)	60 (1524)	60 (1524)	84 (2134)	72 (1829)	108 (2743)
	9 (228)	(Prefix)-42-09-HT*	36 (914)	39 (991)	48 (1219)	63 (1600)	60 (1524)	87 (2210)	72 (1829)	111 (2819)
	12 (305)	(Prefix)-42-12-HT*	36 (914)	42 (1067)	48 (1219)	66 (1676)	60 (1524)	90 (2286)	72 (1829)	114 (2895)
	18 (457)	(Prefix)-42-18-HT*	36 (914)	48 (1219)	48 (1219)	72 (1829)	60 (1524)	96 (2438)	72 (1829)	120 (3048)
42 (1067)	24 (609)	(Prefix)-42-24-HT*	36 (914)	54 (1372)	48 (1219)	78 (1981)	60 (1524)	102 (2591)	72 (1829)	126 (3200)
	30 (762)	(Prefix)-42-30-HT*	36 (914)	60 (1524)	48 (1219)	84 (2134)	60 (1524)	108 (2743)	72 (1829)	132 (3353)
	36 (914)	(Prefix)-42-36-HT*	36 (914)	66 (1676)	48 (1219)	90 (2286)	60 (1524)	114 (2895)	72 (1829)	138 (3505)

(Prefix) See page L-3 for catalog number prefix.

Width dimensions are to inside wall. For aluminum fittings add 1.5 inches (38mm) for total outside width.

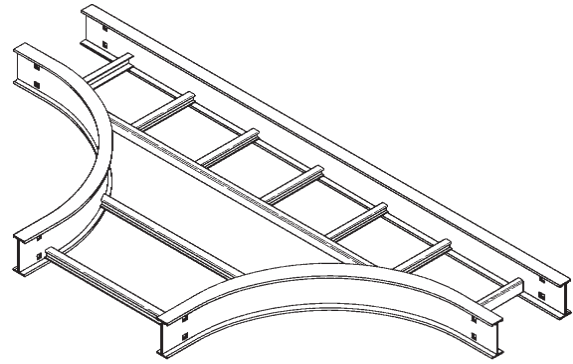
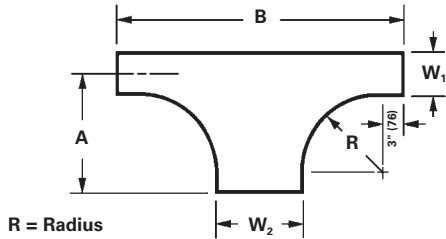
Manufacturing tolerances apply to all dimensions.

All dimensions in parentheses are millimeters unless otherwise specified.

Series 2, 3, 4, & 5 - Fittings

Horizontal Expanding Tee (HT)

2 pair splice plates with hardware included.



Prefix - 09 - 30 HT 12

- Radius
- Fitting
- Width W₂
- Width W₁

To complete catalog number, insert fitting prefix.

Series 2, 3, 4, & 5 Fittings

Tray Width		* Insert Radius (12", 24", 36", or 48") Catalog No.	12" Radius		24" Radius		36" Radius		48" Radius	
W1 in. mm	W2 in. mm		A in. mm	B in. mm	A in. mm	B in. mm	A in. mm	B in. mm	A in. mm	B in. mm
6 (152)	9 (228)	(Prefix)-06-09-HT*	18 (457)	39 (991)	30 (762)	63 (1600)	42 (1067)	87 (2210)	54 (1372)	111 (2819)
	12 (305)	(Prefix)-06-12-HT*	18 (457)	42 (1067)	30 (762)	66 (1676)	42 (1067)	90 (2286)	54 (1372)	114 (2895)
	18 (457)	(Prefix)-06-18-HT*	18 (457)	48 (1219)	30 (762)	72 (1829)	42 (1067)	96 (2438)	54 (1372)	120 (3048)
	24 (609)	(Prefix)-06-24-HT*	18 (457)	54 (1372)	30 (762)	78 (1981)	42 (1067)	102 (2591)	54 (1372)	126 (3200)
	30 (762)	(Prefix)-06-30-HT*	18 (457)	60 (1524)	30 (762)	84 (2134)	42 (1067)	108 (2743)	54 (1372)	132 (3353)
	36 (914)	(Prefix)-06-36-HT*	18 (457)	66 (1676)	30 (762)	90 (2286)	42 (1067)	114 (2895)	54 (1372)	138 (3503)
42 (1067)	(Prefix)-06-42-HT*	18 (457)	72 (1829)	30 (762)	96 (2438)	42 (1067)	120 (3048)	54 (1372)	144 (3658)	
9 (228)	12 (305)	(Prefix)-09-12-HT*	19 1/2 (496)	42 (1067)	31 1/2 (800)	66 (1676)	43 1/2 (1105)	90 (2286)	55 1/2 (1410)	114 (2895)
	18 (457)	(Prefix)-09-18-HT*	19 1/2 (496)	48 (1219)	31 1/2 (800)	72 (1829)	43 1/2 (1105)	96 (2438)	55 1/2 (1410)	120 (3048)
	24 (609)	(Prefix)-09-24-HT*	19 1/2 (496)	54 (1372)	31 1/2 (800)	78 (1981)	43 1/2 (1105)	102 (2591)	55 1/2 (1410)	126 (3200)
	30 (762)	(Prefix)-09-30-HT*	19 1/2 (496)	60 (1524)	31 1/2 (800)	84 (2134)	43 1/2 (1105)	108 (2743)	55 1/2 (1410)	132 (3353)
	36 (914)	(Prefix)-09-36-HT*	19 1/2 (496)	66 (1676)	31 1/2 (800)	90 (2286)	43 1/2 (1105)	114 (2895)	55 1/2 (1410)	138 (3503)
	42 (1067)	(Prefix)-09-42-HT*	19 1/2 (496)	72 (1829)	31 1/2 (800)	96 (2438)	43 1/2 (1105)	120 (3048)	55 1/2 (1410)	144 (3658)
12 (305)	18 (457)	(Prefix)-12-18-HT*	21 (533)	48 (1219)	33 (838)	72 (1829)	45 (1143)	96 (2438)	57 (1448)	120 (3048)
	24 (609)	(Prefix)-12-24-HT*	21 (533)	54 (1372)	33 (838)	78 (1981)	45 (1143)	102 (2591)	57 (1448)	126 (3200)
	30 (762)	(Prefix)-12-30-HT*	21 (533)	60 (1524)	33 (838)	84 (2134)	45 (1143)	108 (2743)	57 (1448)	132 (3353)
	36 (914)	(Prefix)-12-36-HT*	21 (533)	66 (1676)	33 (838)	90 (2286)	45 (1143)	114 (2895)	57 (1448)	138 (3503)
	42 (1067)	(Prefix)-12-42-HT*	21 (533)	72 (1829)	33 (838)	96 (2438)	45 (1143)	120 (3048)	57 (1448)	144 (3658)
18 (457)	24 (609)	(Prefix)-18-24-HT*	24 (609)	54 (1372)	36 (914)	78 (1981)	48 (1219)	102 (2591)	60 (1524)	126 (3200)
	30 (762)	(Prefix)-18-30-HT*	24 (609)	60 (1524)	36 (914)	84 (2134)	48 (1219)	108 (2743)	60 (1524)	132 (3353)
	36 (914)	(Prefix)-18-36-HT*	24 (609)	66 (1676)	36 (914)	90 (2286)	48 (1219)	114 (2895)	60 (1524)	138 (3503)
	42 (1067)	(Prefix)-18-42-HT*	24 (609)	72 (1829)	36 (914)	96 (2438)	48 (1219)	120 (3048)	60 (1524)	144 (3658)
24 (609)	30 (762)	(Prefix)-24-30-HT*	27 (686)	60 (1524)	39 (991)	84 (2134)	51 (1295)	108 (2743)	63 (1600)	132 (3353)
	36 (914)	(Prefix)-24-36-HT*	27 (686)	66 (1676)	39 (991)	90 (2286)	51 (1295)	114 (2895)	63 (1600)	138 (3503)
	42 (1067)	(Prefix)-24-42-HT*	27 (686)	72 (1829)	39 (991)	96 (2438)	51 (1295)	120 (3048)	63 (1600)	144 (3658)
30 (762)	36 (914)	(Prefix)-30-36-HT*	30 (762)	66 (1676)	42 (1067)	90 (2286)	54 (1372)	114 (2895)	66 (1676)	138 (3503)
	42 (1067)	(Prefix)-30-42-HT*	30 (762)	72 (1829)	42 (1067)	96 (2438)	54 (1372)	120 (3048)	66 (1676)	144 (3658)
36 (914)	42 (1067)	(Prefix)-36-42-HT*	33 (838)	72 (1829)	45 (1143)	96 (2438)	57 (1448)	120 (3048)	69 (1753)	144 (3658)

(Prefix) See page L-3 for catalog number prefix.

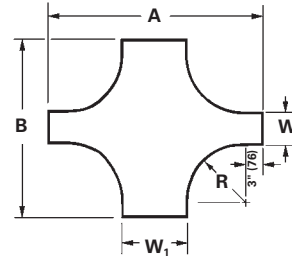
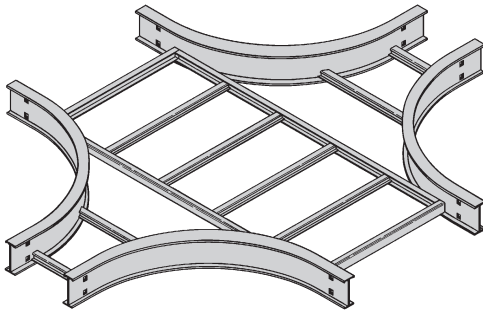
Width dimensions are to inside wall. For aluminum fittings add 1.5 inches (38mm) for total outside width.

Manufacturing tolerances apply to all dimensions.

All dimensions in parentheses are millimeters unless otherwise specified.

Horizontal Expanding/Reducing Cross (HX)

3 pair splice plates with hardware included.



Prefix - 36 - 18 HX 24

Radius
Fitting
Width W₂
Width W₁
To complete catalog number, insert fitting prefix.

Tray Width		* Insert Radius (12", 24", 36", or 48") Catalog No.	12" Radius		24" Radius		36" Radius		48" Radius			
W1	W2		A	B	A	B	A	B	A	B		
in.	mm		in.	mm	in.	mm	in.	mm	in.	mm	in.	mm
9	(228)	6 (152)	(Prefix)-09-06-HX*	39 (991)	36 (914)	63 1600	60 (1524)	87 (2210)	84 (2134)	111 2819	108 (2743)	
12	(305)	6 (152)	(Prefix)-12-06-HX*	42 (1067)	36 (914)	66 (1676)	60 (1524)	90 (2286)	84 (2134)	114 (2895)	108 (2743)	
		9 (228)	(Prefix)-12-09-HX*	42 (1067)	39 (991)	66 (1676)	63 (1600)	90 (2286)	87 (2210)	114 (2895)	111 (2819)	
18	(457)	6 (152)	(Prefix)-18-06-HX*	48 (1219)	36 (914)	72 (1829)	60 (1524)	96 (2438)	84 (2134)	120 (3048)	108 (2743)	
		9 (228)	(Prefix)-18-09-HX*	48 (1219)	39 (991)	72 (1829)	63 (1600)	96 (2438)	87 (2210)	120 (3048)	111 (2819)	
		12 (305)	(Prefix)-18-12-HX*	48 (1219)	42 (1067)	72 (1829)	66 (1676)	96 (2438)	90 (2286)	120 (3048)	114 (2895)	
24	(609)	6 (152)	(Prefix)-24-06-HX*	54 (1372)	36 (914)	78 (1981)	60 (1524)	102 (2591)	84 (2134)	126 (3200)	108 (2743)	
		9 (228)	(Prefix)-24-09-HX*	54 (1372)	39 (991)	78 (1981)	63 (1600)	102 (2591)	87 (2210)	126 (3200)	111 (2819)	
		12 (305)	(Prefix)-24-12-HX*	54 (1372)	42 (1067)	78 (1981)	66 (1676)	102 (2591)	90 (2286)	126 (3200)	114 (2895)	
		18 (457)	(Prefix)-24-18-HX*	54 (1372)	48 (1219)	78 (1981)	72 (1829)	102 (2591)	96 (2438)	126 (3200)	120 (3048)	
30	(762)	6 (152)	(Prefix)-30-06-HX*	60 (1524)	36 (914)	84 (2134)	60 (1524)	108 (2743)	84 (2134)	132 (3353)	108 (2743)	
		9 (228)	(Prefix)-30-09-HX*	60 (1524)	39 (991)	84 (2134)	63 (1600)	108 (2743)	87 (2210)	132 (3353)	111 (2819)	
		12 (305)	(Prefix)-30-12-HX*	60 (1524)	42 (1067)	84 (2134)	66 (1676)	108 (2743)	90 (2286)	132 (3353)	114 (2895)	
		18 (457)	(Prefix)-30-18-HX*	60 (1524)	48 (1219)	84 (2134)	72 (1829)	108 (2743)	96 (2438)	132 (3353)	120 (3048)	
		24 (609)	(Prefix)-30-24-HX*	60 (1524)	54 (1372)	84 (2134)	78 (1981)	108 (2743)	102 (2591)	132 (3353)	126 (3200)	
36	(914)	6 (152)	(Prefix)-30-06-HX*	66 (1676)	36 (914)	90 (2286)	60 (1524)	114 (2895)	84 (2134)	138 (3505)	108 (2743)	
		9 (228)	(Prefix)-36-09-HX*	66 (1676)	39 (991)	90 (2286)	63 (1600)	114 (2895)	87 (2210)	138 (3505)	111 (2819)	
		12 (305)	(Prefix)-36-12-HX*	66 (1676)	42 (1067)	90 (2286)	66 (1676)	114 (2895)	90 (2286)	138 (3505)	114 (2895)	
		18 (457)	(Prefix)-36-18-HX*	66 (1676)	48 (1219)	90 (2286)	72 (1829)	114 (2895)	96 (2438)	138 (3505)	120 (3048)	
		24 (609)	(Prefix)-36-24-HX*	66 (1676)	54 (1372)	90 (2286)	78 (1981)	114 (2895)	102 (2591)	138 (3505)	126 (3200)	
42	(1067)	30 (762)	(Prefix)-36-30-HX*	66 (1676)	60 (1524)	90 (2286)	84 (2134)	114 (2895)	108 (2743)	138 (3505)	132 (3353)	
		6 (152)	(Prefix)-42-06-HX*	72 (1829)	36 (914)	96 (2438)	60 (1524)	120 (3048)	84 (2134)	144 (3658)	108 (2743)	
		9 (228)	(Prefix)-42-09-HX*	72 (1829)	39 (991)	96 (2438)	63 (1600)	120 (3048)	87 (2210)	144 (3658)	111 (2819)	
		12 (305)	(Prefix)-42-12-HX*	72 (1829)	42 (1067)	96 (2438)	66 (1676)	120 (3048)	90 (2286)	144 (3658)	114 (2895)	
		18 (457)	(Prefix)-42-18-HX*	72 (1829)	48 (1219)	96 (2438)	72 (1829)	120 (3048)	96 (2438)	144 (3658)	120 (3048)	
		24 (609)	(Prefix)-42-24-HX*	72 (1829)	54 (1372)	96 (2438)	78 (1981)	120 (3048)	102 (2591)	144 (3658)	126 (3200)	
30	(762)	60 (1524)	(Prefix)-42-30-HX*	72 (1829)	60 (1524)	96 (2438)	84 (2134)	120 (3048)	108 (2743)	144 (3658)	132 (3353)	
		36 (914)	(Prefix)-42-36-HX*	72 (1829)	66 (1676)	96 (2438)	90 (2286)	120 (3048)	114 (2895)	144 (3658)	138 (3505)	

(Prefix) See page L-3 for catalog number prefix.

Width dimensions are to inside wall. For aluminum fittings add 1.5 inches (38mm) for total outside width.

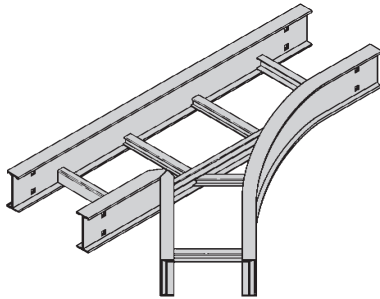
Manufacturing tolerances apply to all dimensions.

All dimensions in parentheses are millimeters unless otherwise specified.

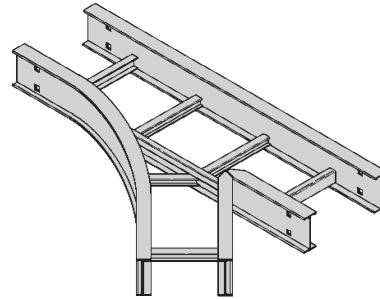
Series 2, 3, 4, & 5 - Fittings

Horizontal Wye (HYL, HYR)

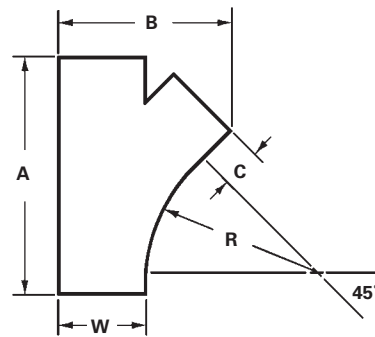
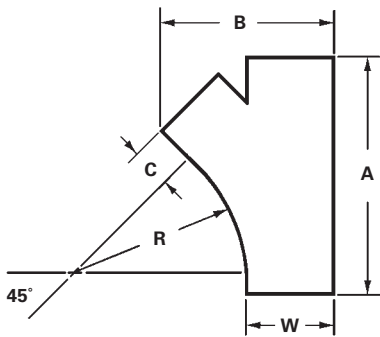
2 pair splice plates with hardware included.



Left Hand Wye - HYL



Right Hand Wye - HYR



R = Radius

Bend Radius in. mm	Tray Width in. mm	Left Hand Wye Catalog No.	Right Hand Wye Catalog No.	A		B		C	
				in.	mm	in.	mm	in.	mm
24 (609)	6 (152)	(Prefix)-06-HYL	(Prefix)-06-HYR	28 ⁷ / ₁₆	(722)	15 ³ / ₁₆	(386)	3 ¹ / ₁₆	(77)
	9 (228)	(Prefix)-09-HYL	(Prefix)-09-HYR	32 ¹¹ / ₁₆	(831)	20 ⁵ / ₁₆	(516)	6 ¹ / ₁₆	(154)
	12 (305)	(Prefix)-12-HYL	(Prefix)-12-HYR	36 ¹⁵ / ₁₆	(938)	25 ⁷ / ₁₆	(646)	9 ¹ / ₁₆	(231)
	18 (457)	(Prefix)-18-HYL	(Prefix)-18-HYR	45 ³ / ₈	(1153)	35 ¹³ / ₁₆	(910)	15 ¹ / ₁₆	(383)
	24 (609)	(Prefix)-24-HYL	(Prefix)-24-HYR	53 ⁷ / ₈	(1368)	45 ¹⁵ / ₁₆	(1167)	21 ¹ / ₁₆	(535)
	30 (762)	(Prefix)-30-HYL	(Prefix)-30-HYR	62 ³ / ₈	(1585)	56 ³ / ₁₆	(1427)	27 ¹ / ₁₆	(688)
	36 (914)	(Prefix)-36-HYL	(Prefix)-36-HYR	70 ⁷ / ₈	(1800)	66 ⁷ / ₁₆	(1687)	33 ¹ / ₁₆	(840)
42 (1067)	(Prefix)-42-HYL	(Prefix)-42-HYR	79 ³ / ₈	(2016)	76 ⁵ / ₈	(1946)	39 ¹ / ₁₆	(992)	

(Prefix) See page L-3 for catalog number prefix.

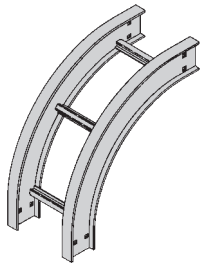
Width dimensions are to inside wall. For aluminum fittings add 1.5 inches (38mm) for total outside width.

Manufacturing tolerances apply to all dimensions.

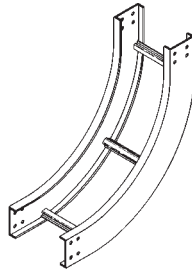
All dimensions in parentheses are millimeters unless otherwise specified.

Vertical Bend 90° (VO, VI)

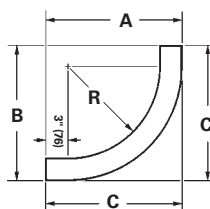
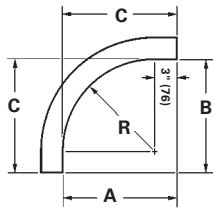
1 pair splice plates with hardware included.



90° Vertical Outside - VO



90° Vertical Inside - VI



Bend Radius R	Tray Width Insert	(*) Insert "VO" for Vert. Outside Bend "VI" for Vert. Inside Bend Catalog No.	VO Side Rail Height 4" - 7"			VI Side Rail Height													
						4"			5"			6"			7"				
			in./(mm)			in./(mm)			in./(mm)			in./(mm)			in./(mm)				
in./(mm)	in. (mm)		A	B	C	A	B	C	A	B	C	A	B	C	A	B	C		
12 (305)	6 (152)	(Prefix)-06-90(*)12																	
	9 (228)	(Prefix)-09-90(*)12																	
	12 (305)	(Prefix)-12-90(*)12																	
	18 (457)	(Prefix)-18-90(*)12	15	15	15	19	19	19	20	20	20	21	21	21	22	22	22	22	
	24 (609)	(Prefix)-24-90(*)12	(381)	(381)	(381)	(483)	(483)	(483)	(508)	(508)	(508)	(533)	(533)	(533)	(559)	(559)	(559)	(559)	
	30 (762)	(Prefix)-30-90(*)12																	
	36 (914)	(Prefix)-36-90(*)12																	
42 (1067)	(Prefix)-42-90(*)12																		
24 (609)	6 (152)	(Prefix)-06-90(*)24																	
	9 (228)	(Prefix)-09-90(*)24																	
	12 (305)	(Prefix)-12-90(*)24																	
	18 (457)	(Prefix)-18-90(*)24	27	27	27	31	31	31	32	32	32	33	33	33	34	34	34	34	
	24 (609)	(Prefix)-24-90(*)24	(686)	(686)	(686)	(787)	(787)	(787)	(813)	(813)	(813)	(838)	(838)	(838)	(864)	(864)	(864)	(864)	
	30 (762)	(Prefix)-30-90(*)24																	
	36 (914)	(Prefix)-36-90(*)24																	
42 (1067)	(Prefix)-42-90(*)24																		
36 (914)	6 (152)	(Prefix)-06-90(*)36																	
	9 (228)	(Prefix)-09-90(*)36																	
	12 (305)	(Prefix)-12-90(*)36																	
	18 (457)	(Prefix)-18-90(*)36	39	39	39	43	43	43	44	44	44	45	45	45	46	46	46	46	
	24 (609)	(Prefix)-24-90(*)36	(991)	(991)	(991)	(1092)	(1092)	(1092)	(1118)	(1118)	(1118)	(1143)	(1143)	(1143)	(1168)	(1168)	(1168)	(1168)	
	30 (762)	(Prefix)-30-90(*)36																	
	36 (914)	(Prefix)-36-90(*)36																	
42 (1067)	(Prefix)-42-90(*)36																		
48 (1219)	6 (152)	(Prefix)-06-90(*)48																	
	9 (228)	(Prefix)-09-90(*)48																	
	12 (305)	(Prefix)-12-90(*)48																	
	18 (457)	(Prefix)-18-90(*)48	51	51	51	55	55	55	56	56	56	57	57	57	58	58	58	58	
	24 (609)	(Prefix)-24-90(*)48	(1295)	(1295)	(1295)	(1397)	(1397)	(1397)	(1422)	(1422)	(1422)	(1448)	(1448)	(1448)	(1473)	(1473)	(1473)	(1473)	
	30 (762)	(Prefix)-30-90(*)48																	
	36 (914)	(Prefix)-36-90(*)48																	
42 (1067)	(Prefix)-42-90(*)48																		

(Prefix) See page L-3 for catalog number prefix.

Width dimensions are to inside wall. For aluminum fittings add 1.5 inches (38mm) for total outside width.

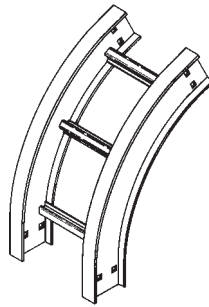
Manufacturing tolerances apply to all dimensions.

All dimensions in parentheses are millimeters unless otherwise specified.

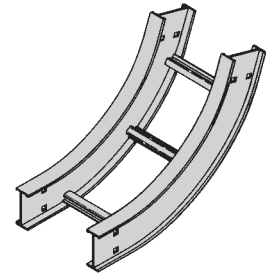
Series 2, 3, 4, & 5 - Fittings

Vertical Bend 60° (VO, VI)

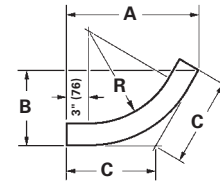
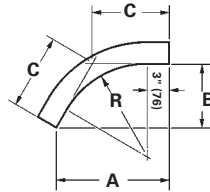
1 pair splice plates with hardware included.



60° Vertical Outside - VO



60° Vertical Inside - VI



Bend Radius R in./(mm)	Tray Width Insert in. (mm)	(*) Insert "VO" for Vert. Outside Bend "VI" for Vert. Inside Bend Catalog No.	VO Side Rail Height 4" - 7"			VI Side Rail Height											
			in./(mm)			4"			5"			6"			7"		
			A	B	C	A	B	C	A	B	C	A	B	C	A	B	C
12 (305)	6 (152)	(Prefix)-06-60(*)12															
	9 (228)	(Prefix)-09-60(*)12															
	12 (305)	(Prefix)-12-60(*)12															
	18 (457)	(Prefix)-18-60(*)12	147/8 (378)	85/8 (219)	915/16 (253)	183/8 (467)	107/8 (270)	121/4 (311)	191/4 (489)	111/8 (283)	1213/16 (326)	201/16 (510)	115/8 (296)	133/8 (340)	2115/16 (557)	121/8 (308)	14 (356)
	24 (609)	(Prefix)-24-60(*)12															
	30 (762)	(Prefix)-30-60(*)12															
36 (914)	(Prefix)-36-60(*)12																
42 (1067)	(Prefix)-42-60(*)12																
24 (609)	6 (152)	(Prefix)-06-60(*)24															
	9 (228)	(Prefix)-09-60(*)24															
	12 (305)	(Prefix)-12-60(*)24															
	18 (457)	(Prefix)-18-60(*)24	255/16 (643)	145/8 (372)	167/8 (428)	283/4 (730)	165/8 (422)	193/16 (488)	295/8 (753)	171/8 (435)	193/4 (502)	301/2 (775)	175/8 (448)	205/16 (516)	313/8 (797)	181/8 (461)	207/8 (530)
	24 (609)	(Prefix)-24-60(*)24															
	30 (762)	(Prefix)-30-60(*)24															
36 (914)	(Prefix)-36-60(*)24																
42 (1067)	(Prefix)-42-60(*)24																
36 (914)	6 (152)	(Prefix)-06-60(*)36															
	9 (228)	(Prefix)-09-60(*)36															
	12 (305)	(Prefix)-12-60(*)36															
	18 (457)	(Prefix)-18-60(*)36	3511/16 (907)	205/8 (524)	2313/16 (605)	391/8 (994)	225/8 (575)	261/8 (663)	40 (1016)	231/8 (587)	2611/16 (687)	407/8 (1038)	235/8 (600)	271/4 (692)	413/4 (1060)	241/8 (613)	2713/16 (706)
	24 (609)	(Prefix)-24-60(*)36															
	30 (762)	(Prefix)-30-60(*)36															
36 (914)	(Prefix)-36-60(*)36																
42 (1067)	(Prefix)-42-60(*)36																
48 (1219)	6 (152)	(Prefix)-06-60(*)48															
	9 (228)	(Prefix)-09-60(*)48															
	12 (305)	(Prefix)-12-60(*)48															
	18 (457)	(Prefix)-18-60(*)48	461/16 (1170)	265/8 (676)	3011/16 (780)	499/16 (1259)	285/8 (727)	33 (838)	503/8 (1280)	291/8 (740)	335/8 (854)	511/4 (1302)	295/8 (753)	343/16 (868)	521/8 (1324)	301/8 (765)	343/4 (883)
	24 (609)	(Prefix)-24-60(*)48															
	30 (762)	(Prefix)-30-60(*)48															
36 (914)	(Prefix)-36-60(*)48																
42 (1067)	(Prefix)-42-60(*)48																

(Prefix) See page L-3 for catalog number prefix.

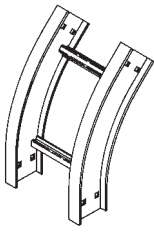
Width dimensions are to inside wall. For aluminum fittings add 1.5 inches (38mm) for total outside width.

Manufacturing tolerances apply to all dimensions.

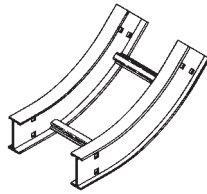
All dimensions in parentheses are millimeters unless otherwise specified.

Vertical Bend 45° (VO, VI)

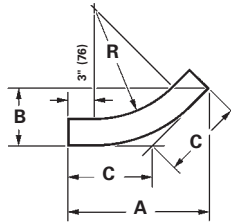
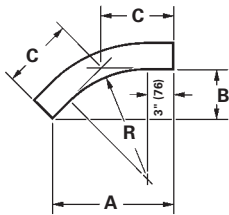
1 pair splice plates with hardware included.



45° Vertical Outside -VO



45° Vertical Inside -VI



Bend Radius R	Tray Width Insert	(*) Insert "VO" for Vert. Outside Bend "VI" for Vert. Inside Bend Catalog No.	VO Side Rail Height 4" - 7"			VI Side Rail Height											
			in./(mm)			4"			5"			6"			7"		
			A	B	C	A	B	C	A	B	C	A	B	C	A	B	C
12 (305)	6 (152)	(Prefix)-06-45(*)12	13 ⁵ / ₈ (346)	5 ⁵ / ₈ (143)	8 (203)	16 ⁷ / ₁₆ (417)	6 ¹³ / ₁₆ (173)	9 ⁵ / ₈ (245)	17 ¹ / ₈ (435)	7 ¹ / ₈ (181)	10 ¹ / ₁₆ (256)	17 ⁷ / ₈ (454)	7 ³ / ₈ (188)	10 ⁷ / ₁₆ (265)	18 ⁹ / ₁₆ (471)	7 ¹¹ / ₁₆ (195)	10 ⁷ / ₈ (2176)
	9 (228)	(Prefix)-09-45(*)12															
	12 (305)	(Prefix)-12-45(*)12															
	18 (457)	(Prefix)-18-45(*)12															
	24 (609)	(Prefix)-24-45(*)12															
	30 (762)	(Prefix)-30-45(*)12															
	36 (914)	(Prefix)-36-45(*)12															
42 (1067)	(Prefix)-42-45(*)12																
24 (609)	6 (152)	(Prefix)-06-45(*)24	22 ¹ / ₁₆ (561)	9 ¹ / ₈ (232)	12 ¹⁵ / ₁₆ (329)	24 ¹⁵ / ₁₆ (634)	10 ⁵ / ₁₆ (262)	14 ⁵ / ₈ (372)	25 ⁵ / ₈ (651)	10 ⁵ / ₈ (270)	15 (381)	26 ⁵ / ₁₆ (668)	10 ¹⁵ / ₁₆ (278)	15 ⁷ / ₁₆ (392)	27 ¹ / ₁₆ (687)	11 ³ / ₁₆ (284)	15 ¹³ / ₁₆ (402)
	9 (228)	(Prefix)-09-45(*)24															
	12 (305)	(Prefix)-12-45(*)24															
	18 (457)	(Prefix)-18-45(*)24															
	24 (609)	(Prefix)-24-45(*)24															
	30 (762)	(Prefix)-30-45(*)24															
	36 (914)	(Prefix)-36-45(*)24															
42 (1067)	(Prefix)-42-45(*)24																
36 (914)	6 (152)	(Prefix)-06-45(*)36	30 ⁹ / ₁₆ (776)	12 ¹¹ / ₁₆ (323)	17 ¹⁵ / ₁₆ (456)	33 ³ / ₈ (848)	13 ¹³ / ₁₆ (351)	19 ⁹ / ₁₆ (497)	34 ¹ / ₈ (867)	14 ¹ / ₈ (359)	20 (508)	34 ¹³ / ₁₆ (885)	14 ⁷ / ₁₆ (367)	20 ³ / ₈ (518)	35 ¹ / ₂ (902)	14 ¹¹ / ₁₆ (284)	20 ¹³ / ₁₆ (402)
	9 (228)	(Prefix)-09-45(*)36															
	12 (305)	(Prefix)-12-45(*)36															
	18 (457)	(Prefix)-18-45(*)36															
	24 (609)	(Prefix)-24-45(*)36															
	30 (762)	(Prefix)-30-45(*)36															
	36 (914)	(Prefix)-36-45(*)36															
42 (1067)	(Prefix)-42-45(*)36																
48 (1219)	6 (152)	(Prefix)-06-45(*)48	39 ¹ / ₁₆ (992)	16 ³ / ₁₆ (411)	22 ⁷ / ₈ (581)	41 ⁷ / ₈ (1064)	17 ³ / ₈ (441)	24 ⁹ / ₁₆ (624)	42 ⁵ / ₈ (1083)	17 ⁵ / ₈ (448)	24 ¹⁵ / ₁₆ (633)	43 ⁵ / ₁₆ (1100)	17 ¹⁵ / ₁₆ (456)	25 ³ / ₈ (645)	44 (1118)	18 ¹ / ₄ (464)	25 ¹³ / ₁₆ (656)
	9 (228)	(Prefix)-09-45(*)48															
	12 (305)	(Prefix)-12-45(*)48															
	18 (457)	(Prefix)-18-45(*)48															
	24 (609)	(Prefix)-24-45(*)48															
	30 (762)	(Prefix)-30-45(*)48															
	36 (914)	(Prefix)-36-45(*)48															
42 (1067)	(Prefix)-42-45(*)48																

(Prefix) See page L-3 for catalog number prefix.

Width dimensions are to inside wall. For aluminum fittings add 1.5 inches (38mm) for total outside width.

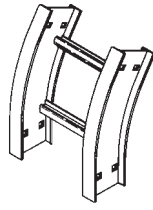
Manufacturing tolerances apply to all dimensions.

All dimensions in parentheses are millimeters unless otherwise specified.

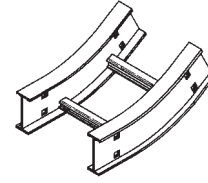
Series 2, 3, 4, & 5 - Fittings

Vertical Bend 30° (VO, VI)

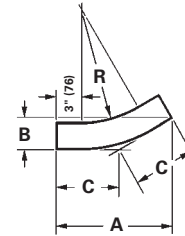
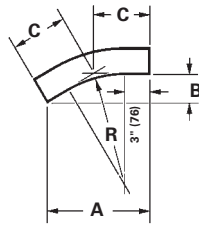
1 pair splice plates with hardware included.



30° Vertical Outside -VO



30° Vertical Inside -VI



Bend Radius R	Tray Width Insert	(*) Insert "VO" for Vert. Outside Bend "VI" for Vert. Inside Bend Catalog No.	VO Side Rail Height			VI Side Rail Height											
			4" - 7"			4"			5"			6"			7"		
			in./(mm)			in./(mm)			in./(mm)			in./(mm)			in./(mm)		
in./(mm)	in. (mm)		A	B	C	A	B	C	A	B	C	A	B	C	A	B	C
12 (305)	6 (152)	(Prefix)-06-30(*)12	11 ⁵ / ₈ (296)	3 ¹ / ₈ (79)	6 ³ / ₁₆ (157)	13 ⁵ / ₈ (346)	3 ⁵ / ₈ (92)	7 ⁵ / ₁₆ (186)	14 ¹ / ₈ (359)	3 ³ / ₄ (95)	7 ⁹ / ₁₆ (192)	14 ⁵ / ₈ (372)	3 ¹⁵ / ₁₆ (100)	7 ¹³ / ₁₆ (199)	15 ¹ / ₈ (384)	4 ¹ / ₁₆ (103)	8 ¹ / ₁₆ (205)
	9 (228)	(Prefix)-09-30(*)12															
	12 (305)	(Prefix)-12-30(*)12															
	18 (457)	(Prefix)-18-30(*)12															
	24 (609)	(Prefix)-24-30(*)12															
	30 (762)	(Prefix)-30-30(*)12															
	36 (914)	(Prefix)-36-30(*)12															
42 (1067)	(Prefix)-42-30(*)12																
24 (609)	6 (152)	(Prefix)-06-30(*)24	17 ⁵ / ₈ (448)	4 ¹¹ / ₁₆ (120)	9 ⁷ / ₁₆ (240)	19 ⁵ / ₈ (499)	5 ¹ / ₄ (133)	10 ¹ / ₂ (267)	20 ¹ / ₈ (511)	5 ³ / ₈ (137)	10 ³ / ₄ (273)	20 ⁵ / ₈ (524)	5 ¹ / ₂ (140)	11 ¹ / ₁₆ (282)	21 ¹ / ₈ (537)	5 ⁵ / ₈ (143)	11 ⁵ / ₁₆ (287)
	9 (228)	(Prefix)-09-30(*)24															
	12 (305)	(Prefix)-12-30(*)24															
	18 (457)	(Prefix)-18-30(*)24															
	24 (609)	(Prefix)-24-30(*)24															
	30 (762)	(Prefix)-30-30(*)24															
	36 (914)	(Prefix)-36-30(*)24															
42 (1067)	(Prefix)-42-30(*)24																
36 (914)	6 (152)	(Prefix)-06-30(*)36	23 ⁵ / ₈ (600)	6 ⁵ / ₁₆ (160)	12 ⁵ / ₈ (321)	25 ⁵ / ₈ (651)	6 ⁷ / ₈ (174)	13 ¹¹ / ₁₆ (348)	26 ¹ / ₈ (663)	7 (175)	14 (356)	26 ⁵ / ₈ (676)	7 ¹ / ₈ (181)	14 ¹ / ₄ (362)	27 ¹ / ₈ (689)	7 ¹ / ₄ (184)	14 ¹ / ₂ (287)
	9 (228)	(Prefix)-09-30(*)36															
	12 (305)	(Prefix)-12-30(*)36															
	18 (457)	(Prefix)-18-30(*)36															
	24 (609)	(Prefix)-24-30(*)36															
	30 (762)	(Prefix)-30-30(*)36															
	36 (914)	(Prefix)-36-30(*)36															
42 (1067)	(Prefix)-42-30(*)36																
48 (1219)	6 (152)	(Prefix)-06-30(*)48	29 ⁵ / ₈ (753)	7 ¹⁵ / ₁₆ (202)	15 ⁷ / ₈ (403)	31 ⁵ / ₈ (803)	8 ⁷ / ₁₆ (214)	16 ¹⁵ / ₁₆ (430)	32 ¹ / ₈ (816)	8 ⁵ / ₈ (219)	17 ³ / ₁₆ (437)	32 ⁵ / ₈ (829)	8 ³ / ₄ (222)	17 ¹ / ₂ (445)	33 ¹ / ₈ (842)	8 ⁷ / ₈ (226)	17 ³ / ₄ (451)
	9 (228)	(Prefix)-09-30(*)48															
	12 (305)	(Prefix)-12-30(*)48															
	18 (457)	(Prefix)-18-30(*)48															
	24 (609)	(Prefix)-24-30(*)48															
	30 (762)	(Prefix)-30-30(*)48															
	36 (914)	(Prefix)-36-30(*)48															
42 (1067)	(Prefix)-42-30(*)48																

(Prefix) See page L-3 for catalog number prefix.

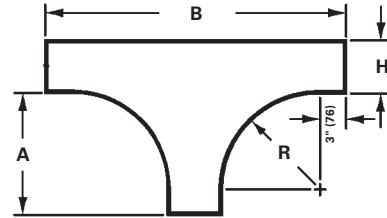
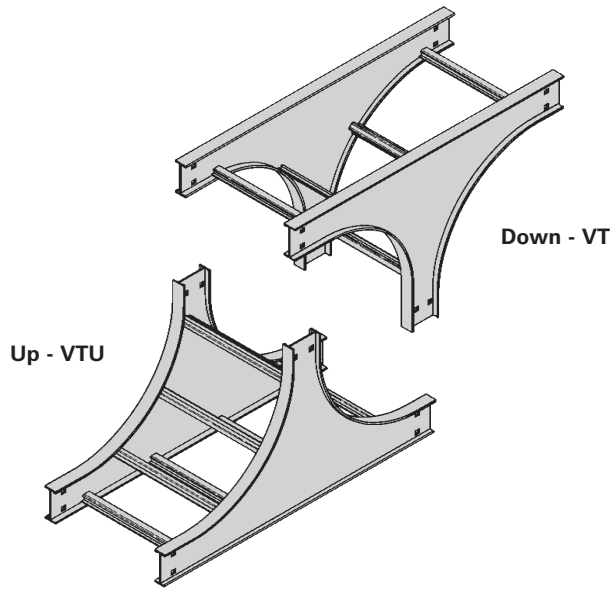
Width dimensions are to inside wall. For aluminum fittings add 1.5 inches (38mm) for total outside width.

Manufacturing tolerances apply to all dimensions.

All dimensions in parentheses are millimeters unless otherwise specified.

Vertical Tee Up/Down (VTU/VT)

2 pair splice plates with hardware included.



Bend Radius R in./mm	Tray Width in. mm	Vertical Tee Down Catalog No.	Vertical Tee Up Catalog No.	Side Rail Height "H"							
				4"		5"		6"		7"	
				A in./mm	B in./mm	A in./mm	B in./mm	A in./mm	B in./mm	A in./mm	B in./mm
12 (305)	6 (152)	(Prefix)-06-VT12	(Prefix)-06-VTU12	15 (381)	34 (846)	15 (381)	35 (889)	15 (381)	36 (914)	15 (381)	37 (940)
	9 (228)	(Prefix)-09-VT12	(Prefix)-09-VTU12								
	12 (305)	(Prefix)-12-VT12	(Prefix)-12-VTU12								
	18 (457)	(Prefix)-18-VT12	(Prefix)-18-VTU12								
	24 (609)	(Prefix)-24-VT12	(Prefix)-24-VTU12								
	30 (762)	(Prefix)-30-VT12	(Prefix)-30-VTU12								
	36 (914)	(Prefix)-36-VT12	(Prefix)-36-VTU12								
42 (1067)	(Prefix)-42-VT12	(Prefix)-42-VTU12									
24 (609)	6 (152)	(Prefix)-06-VT24	(Prefix)-06-VTU24	27 (6867)	58 (1473)	27 (686)	59 (1498)	27 (686)	60 (1524)	27 (686)	61 (1549)
	9 (228)	(Prefix)-09-VT24	(Prefix)-09-VTU24								
	12 (305)	(Prefix)-12-VT24	(Prefix)-12-VTU24								
	18 (457)	(Prefix)-18-VT24	(Prefix)-18-VTU24								
	24 (609)	(Prefix)-24-VT24	(Prefix)-24-VTU24								
	30 (762)	(Prefix)-30-VT24	(Prefix)-30-VTU24								
	36 (914)	(Prefix)-36-VT24	(Prefix)-36-VTU24								
42 (1067)	(Prefix)-42-VT24	(Prefix)-42-VTU24									
36 (914)	6 (152)	(Prefix)-06-VT36	(Prefix)-06-VTU36	39 (991)	82 (2083)	39 (991)	83 (2108)	39 (991)	84 (2134)	39 (991)	85 (2159)
	9 (228)	(Prefix)-09-VT36	(Prefix)-09-VTU36								
	12 (305)	(Prefix)-12-VT36	(Prefix)-12-VTU36								
	18 (457)	(Prefix)-18-VT36	(Prefix)-18-VTU36								
	24 (609)	(Prefix)-24-VT36	(Prefix)-24-VTU36								
	30 (762)	(Prefix)-30-VT36	(Prefix)-30-VTU36								
	36 (914)	(Prefix)-36-VT36	(Prefix)-36-VTU36								
42 (1067)	(Prefix)-42-VT36	(Prefix)-42-VTU36									
48 (1219)	6 (152)	(Prefix)-06-VT48	(Prefix)-06-VTU48	51 (1295)	106 (2692)	51 (1295)	107 (2718)	51 (1295)	108 (2743)	51 (1295)	109 (2769)
	9 (228)	(Prefix)-09-VT48	(Prefix)-09-VTU48								
	12 (305)	(Prefix)-12-VT48	(Prefix)-12-VTU48								
	18 (457)	(Prefix)-18-VT48	(Prefix)-18-VTU48								
	24 (609)	(Prefix)-24-VT48	(Prefix)-24-VTU48								
	30 (762)	(Prefix)-30-VT48	(Prefix)-30-VTU48								
	36 (914)	(Prefix)-36-VT48	(Prefix)-36-VTU48								
42 (1067)	(Prefix)-42-VT48	(Prefix)-42-VTU48									

Series 2, 3, 4, & 5 Fittings

(Prefix) See page L-3 for catalog number prefix.

Width dimensions are to inside wall. For aluminum fittings add 1.5 inches (38mm) for total outside width.

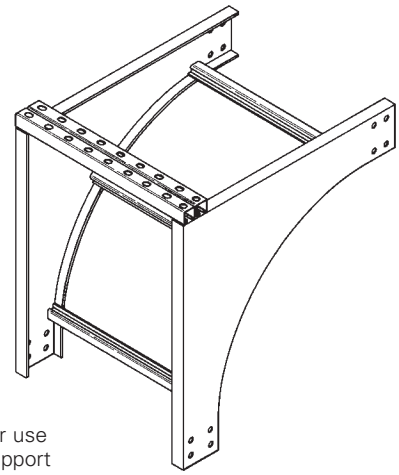
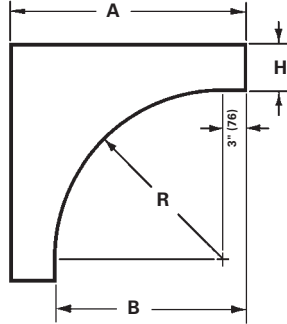
Manufacturing tolerances apply to all dimensions.

All dimensions in parentheses are millimeters unless otherwise specified.

Series 2, 3, 4, & 5 - Fittings

Cable Support Fittings (CSF)

1 pair splice plates with hardware included.



This fitting is recommended for use at the top of vertical runs to support the weight of the cables. The top cross brace is drilled for installing eyebolts, ordered separately.

Series 2, 3, 4, & 5 Fittings

Bend Radius R in./(mm)	Tray Width in. mm	Catalog No.	Side Rail Height "H"								
			4"		5"		6"		7"		
			A in./(mm)	B in./(mm)	A in./(mm)	B in./(mm)	A in./(mm)	B in./(mm)	A in./(mm)	B in./(mm)	
12 (305)	6 152	(Prefix)-06-CSF12									
	9 228	(Prefix)-09-CSF12									
	12 305	(Prefix)-12-CSF12									
	18 457	(Prefix)-18-CSF12	19	15	20	15	21	15	22	15	
	24 609	(Prefix)-24-CSF12	(483)	(381)	(508)	(381)	(533)	(381)	(559)	(381)	
	30 762	(Prefix)-30-CSF12									
	36 914	(Prefix)-36-CSF12									
42 1067	(Prefix)-42-CSF12										
24 (609)	6 152	(Prefix)-06-CSF24									
	9 228	(Prefix)-09-CSF24									
	12 305	(Prefix)-12-CSF24									
	18 457	(Prefix)-18-CSF24	31	27	32	27	33	27	34	27	
	24 609	(Prefix)-24-CSF24	(787)	(686)	(813)	(686)	(838)	(686)	(864)	(686)	
	30 762	(Prefix)-30-CSF24									
	36 914	(Prefix)-36-CSF24									
42 1067	(Prefix)-42-CSF24										
36 (914)	6 152	(Prefix)-06-CSF36									
	9 228	(Prefix)-09-CSF36									
	12 305	(Prefix)-12-CSF36									
	18 457	(Prefix)-18-CSF36	43	39	44	39	45	39	46	39	
	24 609	(Prefix)-24-CSF36	(1092)	(991)	(1118)	(991)	(1143)	(991)	(1168)	(991)	
	30 762	(Prefix)-30-CSF36									
	36 914	(Prefix)-36-CSF36									
42 1067	(Prefix)-42-CSF36										
48 (1219)	6 152	(Prefix)-06-CSF48									
	9 228	(Prefix)-09-CSF48									
	12 305	(Prefix)-12-CSF48									
	18 457	(Prefix)-18-CSF48	55	51	56	51	57	51	58	51	
	24 609	(Prefix)-24-CSF48	(1397)	(1295)	(1422)	(1295)	(1448)	(1295)	(1473)	(1295)	
	30 762	(Prefix)-30-CSF48									
	36 914	(Prefix)-36-CSF48									
42 1067	(Prefix)-42-CSF48										

(Prefix) See page L-3 for catalog number prefix.

Width dimensions are to inside wall. For aluminum fittings add 1.5 inches (38mm) for total outside width.

Manufacturing tolerances apply to all dimensions.

All dimensions in parentheses are millimeters unless otherwise specified.