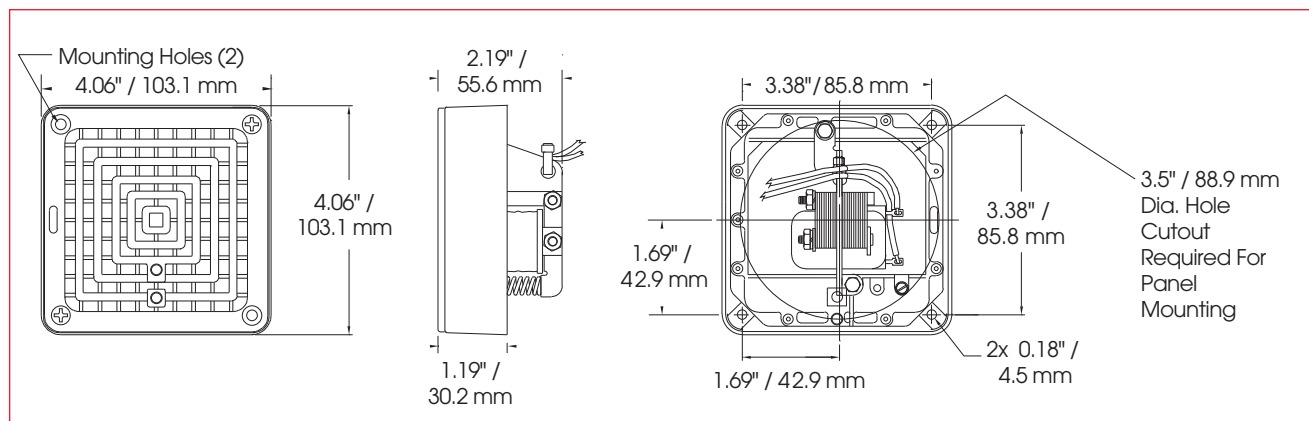


VIBRATONE® HORN (350)



SPECIFICATIONS

Operating Temperature:	-65°F to 150°F	-54°C to 66°C
Net Weight:	1.4 lbs.	0.6 kg
Shipping Weight:	1.5 lbs.	0.7 kg
Height:	4.06"	103.1 mm
Width:	4.06"	103.1 mm
Depth:	2.19"	55.6 mm

HOW TO ORDER

- Specify model and voltage
- Specify accessories from list

ACCESSORIES

FB	Wall box for flush mounting the Vibratone® horn in stud, 4" block, or other shallow wall construction; 4 ³ / ₈ " square box; 2 ⁷ / ₈ " deep; shipping weight 2 lbs. (0.91 kg)
FBL	Same as FB, but 3 ¹³ / ₁₆ " deep for 6" x 8" concrete block, cinder block or other deep wall construction; shipping wt. 3 lbs. (1.36 kg)
FG	Flush grille which attaches to the basic unit and serves as the cover of the plastered-in FB flush box; 6" H x 6" W x 1 ¹ / ₈ " D; shipping wt. 1 lb. (0.45 kg)
K8435666A	Optional Panel Mounting Gasket Kit includes a gasket and hardware for surface or flush mounting the horn for NEMA Type 4X applications.
PR2	Double projector directs sounds to both sides when attached to the basic model units; ideal for use in hallways; 4" H x 11 ¹ / ₂ " W x 4" D; shipping weight 2 lbs. (0.91 kg)
SF	Stamped surface plate used for installations on plastered-in 4" outlet switch boxes for semi-flush mountings; 6" H x 6" W x 1 ¹ / ₂ " D; shipping weight 1 lb. (0.45 kg)
TR	Gasketed trim ring allowing surface mount installations of unit while maintaining Type12 and Type 4X rating of enclosure.
WB	Cast aluminum neoprene-gasketed weatherproof housing for outside use, complete with mounting lugs; tapped for 1 ¹ / ₂ ", 3 ¹ / ₄ " conduit; 4 ³ / ₈ " square box; 2" deep mounting lugs on 4 ¹ / ₂ " centers; shipping weight 1 lb. (0.45 kg)

REPLACEMENT PARTS

<u>Description</u>	<u>Part Number</u>
Panel Mount Gasket Kit	K8435666A
Volume Control Kit	K8435663B
Coil, 120VAC	KFC1516C