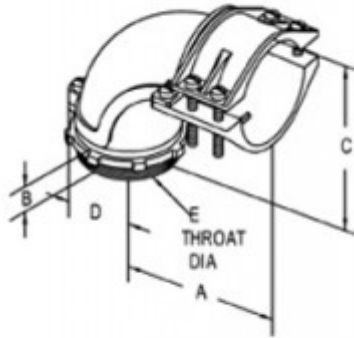


## Connector, 90 Degrees, Zinc Die Cast, Flex Size 2-1/2 Inch

90 Degrees connector suitable for used to connect flexible metal conduit to box or enclosure.

[Download Photo](#)[Download Drawing](#)

### Product details

|                                   |                               |
|-----------------------------------|-------------------------------|
| <b>Catalog Number:</b>            | 811-DC2                       |
| <b>UPC Number:</b>                | 781747158116                  |
| <b>Primary Materials:</b>         | Zinc Die Cast                 |
| <b>Finish:</b>                    | Ball burnished, mirror smooth |
| <b>Trade Size:</b>                | 2-1/2"                        |
| <b>Standard Package Quantity:</b> | 5                             |

### Dimensions

|                      |        |
|----------------------|--------|
| <b>Trade Size:</b>   | 2-1/2" |
| <b>Dimensions A:</b> | 5      |
| <b>Dimensions B:</b> | 7/8    |
| <b>Dimensions C:</b> | 6      |
| <b>Dimensions D:</b> | 2      |
| <b>Dimensions E:</b> | 2-1/2  |
| <b>Dimensions F:</b> | 4-1/2  |

### Certifications & Codes

**Federal Specification Number:** A-A-50552

**CSA File Number:** LR39354

**UNSPSC:** 39121419

**Nema Standard:** FB-1