



### Main

Range of Product	Modicon Momentum automation platform
Product or Component Type	Analogue, discrete I/O base
Group of channels	1 group of 2 discrete outputs 1 group of 4 discrete inputs 1 group of 4 analog differential inputs 1 group of 2 analog outputs
Analogue input range	+/- 10 V +/- 20 mA +/- 5 V 1...5 V 4...20 mA
Analogue input type	Differential
Analogue input resolution	12 bits 1...5 V 12 bits 4...20 mA 13 bits +/- 20 mA 13 bits +/- 5 V 14 bits +/- 10 V
Discrete input voltage	24 V DC
Analogue output range	+/- 10 V 12 bits 0...20 mA 12 bits
Discrete output voltage	<= 30 V
Output short-circuit protection	With discrete output
Output overload protection	With discrete output

### Complementary

Discrete input number	4 IEC 1131-2 Type 1
[Us] rated supply voltage	24 VDC
Conversion consistency	+/- 0.02 % +/- 10 V analogue input circuit +/- 0.04 % +/- 20 mA analogue input circuit +/- 0.04 % +/- 5 V analogue input circuit +/- 0.04 % 1...5 V analogue input circuit +/- 0.04 % 4...20 mA analogue input circuit
Common mode rejection	> 54 dB analogue input circuit
Input voltage limits	< 30 V
Discrete input logic	Positive
Voltage state 0 guaranteed	-3...5 V discrete input
Voltage state 1 guaranteed	11...30 V discrete input
Current state 0 guaranteed	<= 1.2 mA discrete input)
Current state 1 guaranteed	>= 2.5 mA discrete input)
Input overvoltage protection	-50...50 V <= 100 s analogue input circuit -30...30 V 24 V analogue input circuit
Input resistance	1 MOhm analogue input circuit 4 kOhm discrete input
Output load	<= 600 Ohm 0...20 mA analogue output >= 3 kOhm +/- 10 V analogue output
Conversion time	1 Ms analogue output 10 ms analogue input circuit

The information provided in this documentation contains general descriptions and/or technical characteristics of the performance of the products contained herein. This documentation is not intended as a substitute for and is not to be used for determining suitability or reliability of these products for specific user applications. It is the duty of any such user or integrator to perform the appropriate and complete risk analysis, evaluation and testing of the products with respect to the relevant specific application or use thereof. Neither Schneider Electric Industries SAS nor any of its affiliates or subsidiaries shall be responsible or liable for misuse of the information contained herein.

Conversion error	+/- 0.35 % +/- 10 V 77 °F (25 °C) analogue output +/- 0.35 % 0...20 mA 77 °F (25 °C) analogue output +/- 0.70 % +/- 10 V 140 °F (60 °C) analogue output +/- 0.70 % 0...20 mA 140 °F (60 °C) analogue output 0,0008 +/- 10 V 77 °F (25 °C) analogue input circuit 0,0015 +/- 10 V 140 °F (60 °C) analogue input circuit 0,0016 +/- 20 mA 77 °F (25 °C) analogue input circuit 0,0016 +/- 5 V 77 °F (25 °C) analogue input circuit 0,0016 1...5 V 77 °F (25 °C) analogue input circuit 0,0016 4...20 mA 77 °F (25 °C) analogue input circuit 0,003 +/- 20 mA 140 °F (60 °C) analogue input circuit 0,003 +/- 5 V 140 °F (60 °C) analogue input circuit 0,003 1...5 V 140 °F (60 °C) analogue input circuit 0,003 4...20 mA 140 °F (60 °C) analogue input circuit
Fail state	Analogue input circuit hold Analogue input circuit reset to zero
Discrete output type	Transistor
Discrete output logic	Positive
Discrete output current	1 A per point 2 A per group 2 A per module
Maximum leakage current	1 mA DC 24 V discrete output
Maximum voltage drop	<0.5 V 1 A at state on discrete output
Operating rate	100 cyc/s resistive 1 A discrete output 1000 cyc/h inductive 1 A discrete output 8 cyc/s tungsten <2.4 W discrete output
Response time	< 0.1 ms from state 0 to state 1 discrete output < 0.1 ms from state 1 to state 0 discrete output 2.2 ms from state 0 to state 1 discrete input 3.3 ms from state 1 to state 0 discrete input
Isolation voltage	500 V 1 min) between analogue I/O and operating voltage 500 V 1 min) between operating voltage and I/O from ground
Maximum power dissipation in W	6 W
Marking	CE
Local signalling	For channel status 8 LEDs
Electrical connection	2 connectors for removable terminal blocks
Current consumption	<= 350 mA 24 V DC 200 mA 24 V DC
Depth	1.87 in (47.5 mm)
Height	4.92 in (125 mm)
Width	5.57 in (141.5 mm)
Net Weight	0.53 lb(US) (0.24 kg)

## Environment

Product Certifications	UL[RETURN]CSA[RETURN]FM Class 1 Division 2
Protective treatment	TC
Resistance to electrostatic discharge	4 KV contact IEC 801-2 8 kV on air IEC 801-2
Resistance to electromagnetic fields	9.14 V/m (10 V/m) 80...1000 MHz IEC 801-3
Ambient Air Temperature for Operation	32...140 °F (0...60 °C)
Ambient Air Temperature for Storage	-40...185 °F (-40...85 °C)
Relative Humidity	95 % without condensation
Operating altitude	<= 16404.2 ft (5000 m)

## Ordering and shipping details

Category	18206-MOMENTUM PROCESSORS,I/O BASES,CONN.
Discount Schedule	PC31
GTIN	3595861000292
Returnability	Yes
Country of origin	ID

## Packing Units

Unit Type of Package 1	PCE
Number of Units in Package 1	1
Package 1 Height	2.17 in (5.5 cm)
Package 1 Width	7.09 in (18 cm)
Package 1 Length	10.24 in (26 cm)
Package 1 Weight	13.83 oz (392 g)
Unit Type of Package 2	S03
Number of Units in Package 2	10
Package 2 Height	11.81 in (30 cm)
Package 2 Width	11.81 in (30 cm)
Package 2 Length	15.75 in (40 cm)
Package 2 Weight	156.44 oz (4435 g)

## Offer Sustainability

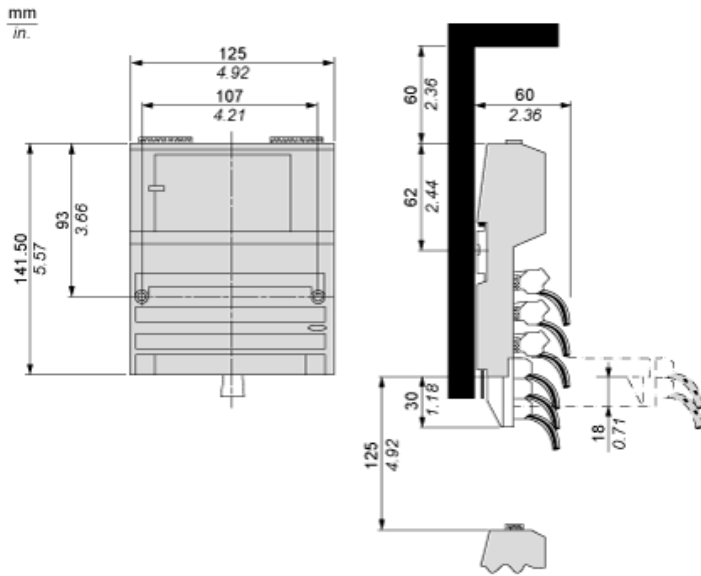
Sustainable offer status	Green Premium product
California proposition 65	WARNING: This product can expose you to chemicals including: Lead and lead compounds, which is known to the State of California to cause cancer and birth defects or other reproductive harm. For more information go to <a href="http://www.P65Warnings.ca.gov">www.P65Warnings.ca.gov</a>
REACH Regulation	<a href="#">REACH Declaration</a>
EU RoHS Directive	Pro-active compliance (Product out of EU RoHS legal scope)
Mercury free	Yes
China RoHS Regulation	<a href="#">China RoHS Declaration</a>
RoHS exemption information	<a href="#">Yes</a>
Environmental Disclosure	<a href="#">Product Environmental Profile</a>
Circularity Profile	<a href="#">End Of Life Information</a>
WEEE	The product must be disposed on European Union markets following specific waste collection and never end up in rubbish bins.

## Contractual warranty

Warranty	18 months
----------	-----------

Standard Adapter on a Typical Base

Dimensions



---

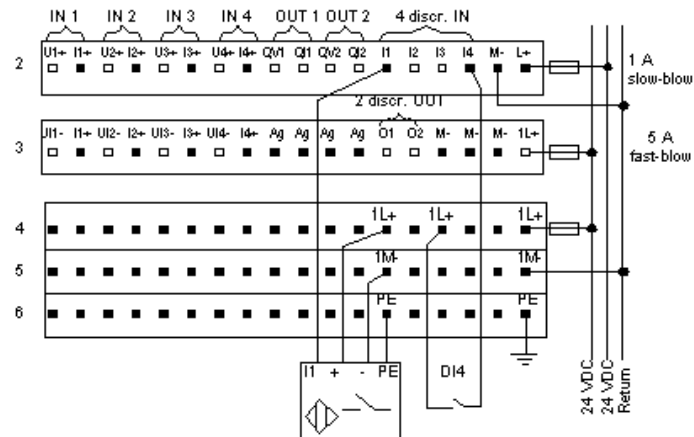
Mounting on a Wall

---

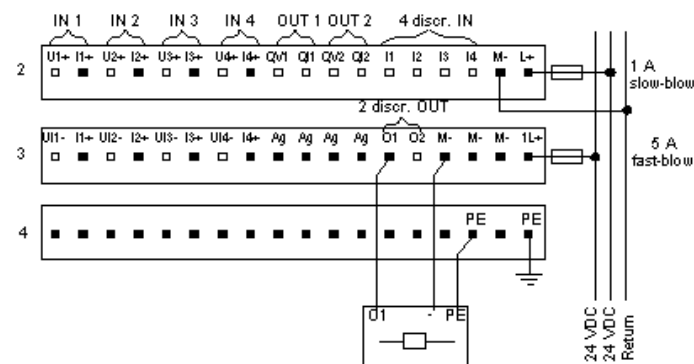


External Wiring Diagrams

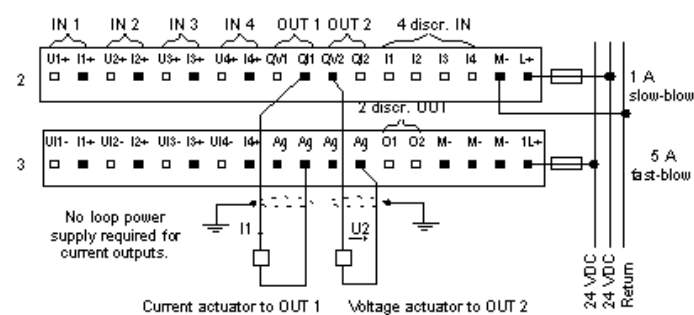
Discrete Inputs



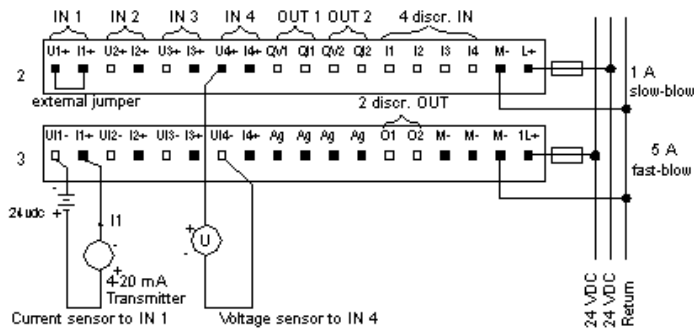
Discrete Outputs



Analog Outputs



## Analog Inputs



## Internal Pin Connections

Rows 1 through 3 show the internal connections between terminals on the I/O base. Rows 4 through 6 show the internal connections on the optional busbar.

