

BMXDAI1614H

Discrete input module, Modicon X80, 16 isolated inputs, 100 to 120V AC, for severe environments



Main

Range of Product	Modicon X80
Product or Component Type	Discrete input module
Product Specific Application	For severe environments
Discrete input number	16
Discrete input type	Isolated
Input type	Capacitive
Discrete input voltage	100...120 V AC
Discrete input current	2 mA

Complementary

Input compatibility	2-wire proximity sensor IEC 60947-5-2 2-wire proximity sensor IEC 61131-2 Type 1
Network Frequency	50/60 Hz
Network frequency limits	47...63 Hz
Sensor power supply	85...132 V
Current state 1 guaranteed	≥ 2 mA
Current state 0 guaranteed	≤ 1 mA
Input impedance	14000 Ohm
Insulation resistance	> 10 MOhm 500 V DC
Power dissipation in W	5 W
AC activation response time	10 ms
AC deactivation response time	20 ms
Typical current consumption	76 mA 3.3 V DC
MTBF reliability	3700000 H
Protection type	1 external fuse per group of channel 0.25 A fast blow
Voltage detection threshold	< 40 V AC sensor fault > 85 V AC sensor OK
Status LED	1 LED (Green) module operating (RUN) 1 LED per channel (Green) channel diagnostic 1 LED (Red) module error (ERR) 1 LED (Red) module I/O
Net Weight	0.35 lb(US) (0.157 kg)

Environment

IP Degree of Protection	IP20
Environmental characteristic	Gas resistant class Gx Gas resistant class 3C4 Dust resistant class 3S4 Sand resistant class 3S4 Salt resistant level 2 Mold growth resistant class 3B2 Fungal spore resistant class 3B2
Dielectric strength	1780 V AC 50/60 Hz 1 min
Vibration resistance	3 gn
Shock resistance	30 gn
Ambient Air Temperature for Storage	-40...185 °F (-40...85 °C)

Ambient Air Temperature for Operation	-13...158 °F (-25...70 °C)
Relative humidity	0...95 % -13...158 °F (-25...70 °C) without condensation
Protective treatment	Conformal coating
Operating altitude	0...6561.68 ft (0...2000 m) 2000...5000 m with derating factor

Ordering and shipping details

Category	18160-MODICON M340
Discount Schedule	PC34
GTIN	3606489485016
Returnability	No
Country of origin	FR

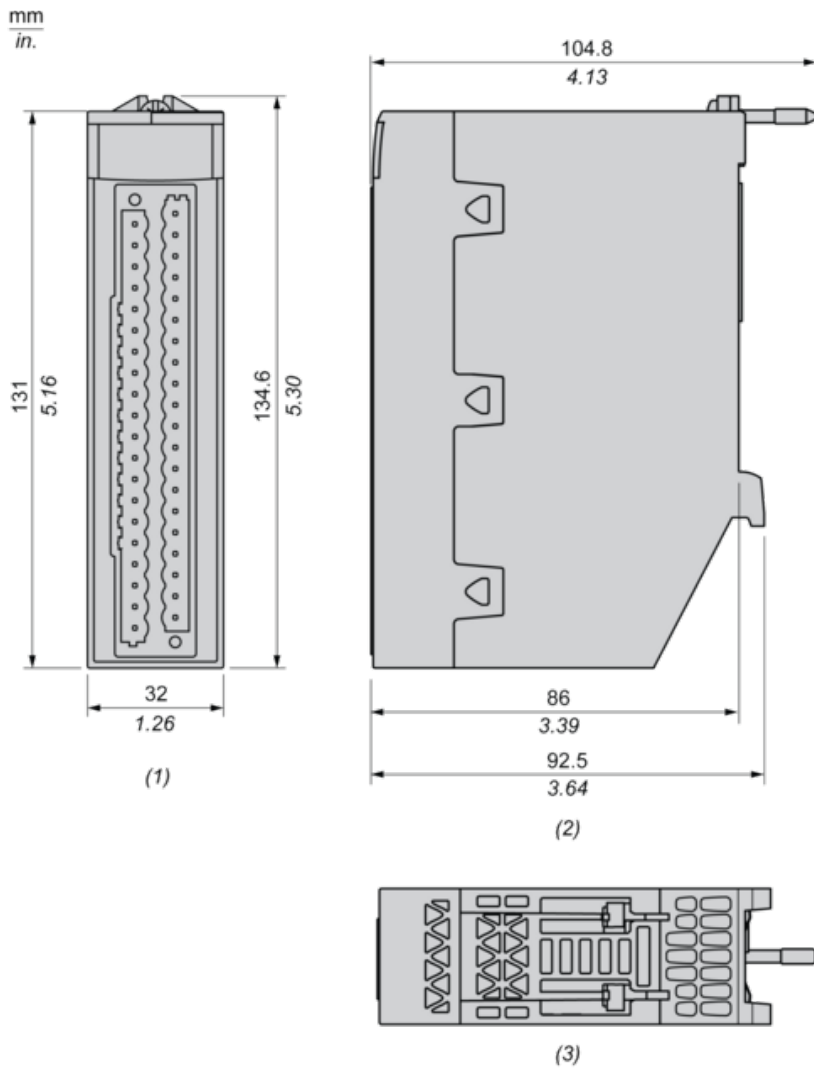
Packing Units

Unit Type of Package 1	PCE
Number of Units in Package 1	1
Package 1 Height	2.13 in (5.400 cm)
Package 1 Width	7.09 in (18.000 cm)
Package 1 Length	10.20 in (25.900 cm)
Package 1 Weight	10.51 oz (298.000 g)
Unit Type of Package 2	S03
Number of Units in Package 2	8
Package 2 Height	11.81 in (30.000 cm)
Package 2 Width	11.81 in (30.000 cm)
Package 2 Length	15.75 in (40.000 cm)
Package 2 Weight	6.15 lb(US) (2.790 kg)

Offer Sustainability

California proposition 65	WARNING: This product can expose you to chemicals including: Lead and lead compounds, which is known to the State of California to cause cancer and birth defects or other reproductive harm. For more information go to www.P65Warnings.ca.gov
REACH Regulation	REACH Declaration
EU RoHS Directive	Pro-active compliance (Product out of EU RoHS legal scope)
Mercury free	Yes
China RoHS Regulation	China RoHS Declaration
RoHS exemption information	Yes
WEEE	The product must be disposed on European Union markets following specific waste collection and never end up in rubbish bins.

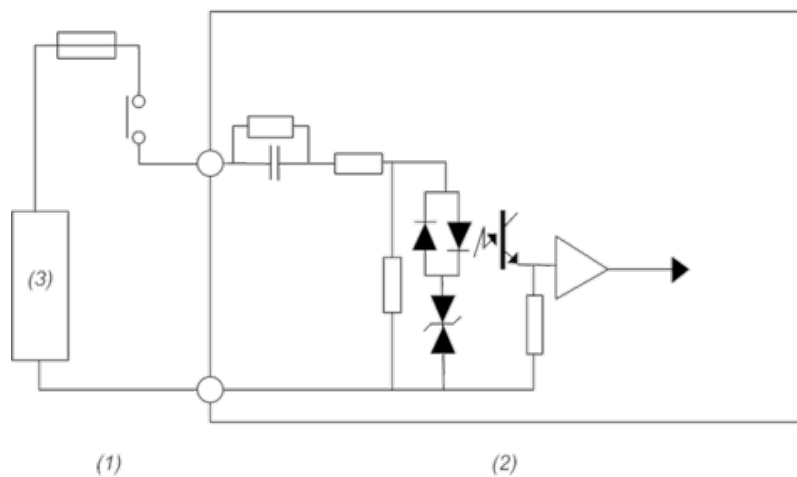
Dimensions



- (1) Front view
- (2) Right view
- (3) Top view

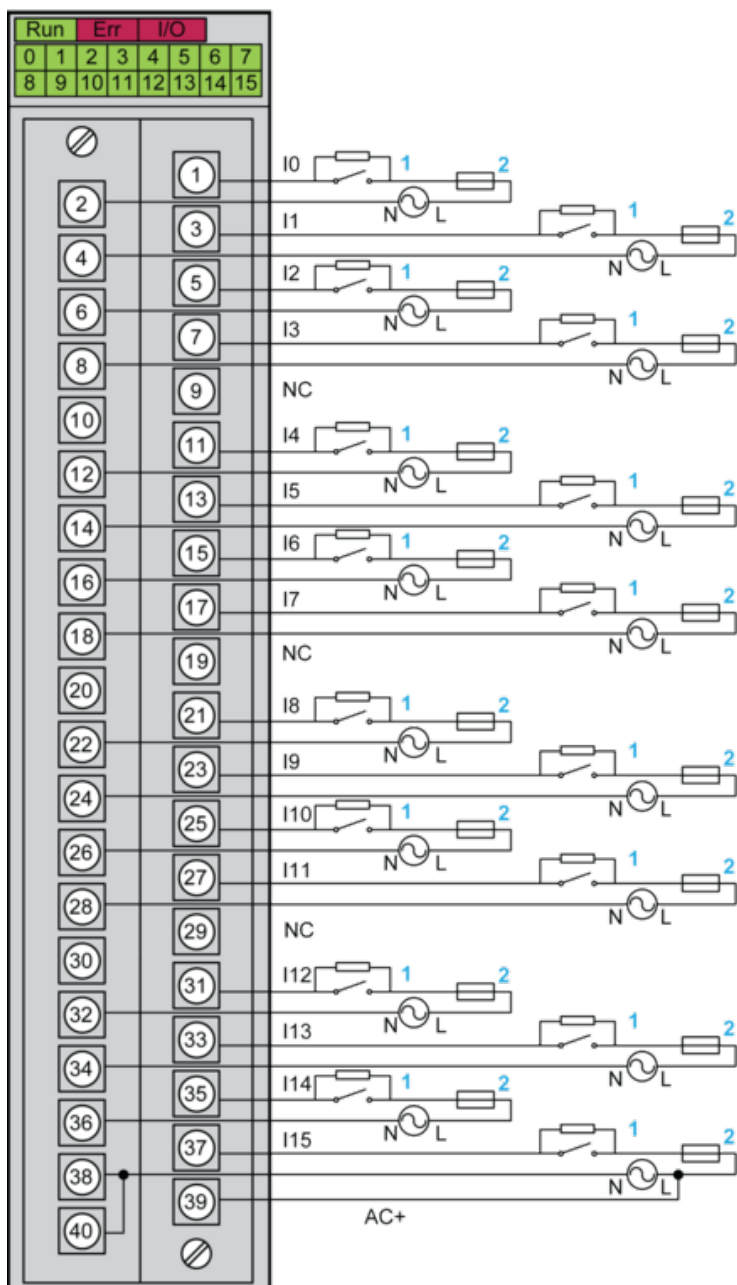
Connecting the Module

Input Circuit Diagram



- (1) Process
- (2) Module
- (3) Power supply

Module Connection



1 : External resistor for open wire detection function

2 : Fast blow fuse of 0.25A

AC+ : Input pin for IO supply monitoring function on channel 15

NC : Not connected

Power supply : 100...120 Vac

NOTE : The maximum input voltage is 132 Vrms@63 Hz. Any over voltage will damage the module.