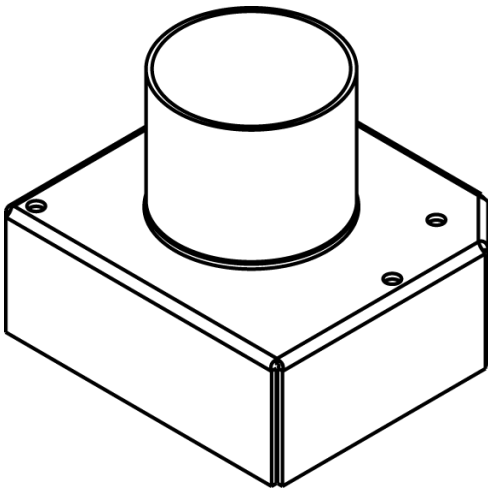




Wiremold  
Evolution 6AT Series Bottom Housing Assembly  
Part No. 152CHA



One and a half-gang 2" trade size conduit housing assembly. Recommended for use with furniture feed devices (6ATCFF). Covers the center compartment and one of the side compartments.

## Features & Benefits

One and a half-gang 2" trade size conduit housing assembly. Recommended for use with furniture feed devices (6ATCFF). Covers the center compartment and one of the side compartments.

## Specifications

### General Info

Product Line	Wiremold	UPC Number	786564066620
Country Of Origin	United States	Construction	Not Assembled
Application Sector	Commercial, Education, Healthcare, Hospitality	Standard	cULus Listed, NEC
Warranty Type	1-Year from Installation or 2-Years from Day of Sale	Type	Accessory

### Dimensions

Product Width US	3.76 in	Product Weight US	1.0 lb
Product Height US	3.23 in	Product Length US	4.08 in

### Listing Agencies / 3rd Party Agencies

cULus ListingNumber	E2961	cULus Listed	Yes
---------------------	-------	--------------	-----

### Additional Information

---

RoHS Compliant

Yes

---