

ATKP02

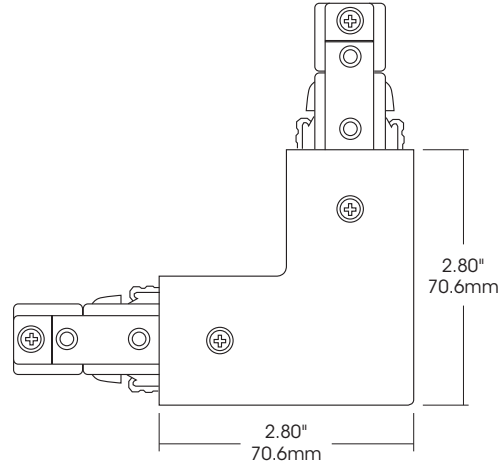
L-Power Feed Connector

Catalog # : _____
 Project : _____
 Type : _____
 Comments : _____



DESCRIPTION

L- Power Feed Connector, connects two track sections at 90°. Available in three colours: Black, White and Brushed Nickel.



DESIGN FEATURES

- **Features**
 - Low profile aesthetic design.
 - Solid 12-gauge conductors.
 - With power feed.
 - Field convertible for right or left hand application.
- **Electrical**
 - System Electrical Rating: 20A, 120V, 60Hz.
- **Compatibility**
 - Track system is compatible with all Juno® and A-line® Style Track, accessories and connectors.

Ordering Information

* Juno® is a registered trademark of Juno Lighting.
 * Halo® is a registered trademark of Cooper Industries, Inc.

Cat. No.	Finish
<input type="text"/> ATKP02	<input type="text"/> -WH : White -BK : Black -BN : Brushed Nickel

Example : ATKP02-BN



Liteline Corporation
 8 Abacus Road, Brampton, ON
 L6T 5B7

Tel: 416-996-1856
 Fax: 905-794-1990

Email: sales@liteline.com
 Website: liteline.com