

TU40 SERIES

UNIVERSAL MULTI-VOLTAGE
SAME ON/OFF TIMES EACH DAY
24 HOUR TIME SWITCH



ALL PURPOSE
CONTACTS,
HOUSING,
& VOLTAGES!

APPLICATIONS



- Lighting
- Pumps
- Signs
- Air conditioning
- Water heaters
- Fans

FEATURES

MULTI-VOLTAGE: Automatic input voltage detection.

EASY SET: Real time clock face and day/night markings for setting trippers.

SCHEDULING: Minimum ON is setting 15 minutes. Dial has 96 captive trippers.

4 in 1 CONTACTS: DPDT can also wire as SPST, SPDT, & DPST.

BYPASS SWITCH: Sets timer to permanent ON, OFF or timer operation.

VACATION MODE: Set timer OFF with no change of tripper settings.

INDICATING LIGHTS: Power ON green and load ON red and LED indicators.

STANDARDS: Listed UL60370 (formerly UL917).

CAT. NO.	UPC CODE	TIMER SUPPLY (VAC) 60Hz	DRY CONTACTS (UNPOWERED)	ENCLOSURE TYPE
TU40	24000	120/208-240/277	DPDT	Plastic Indoor/Outdoor NEMA 3R
TU40-Y	24001	120/208-240/277	DPDT	Metal Indoor NEMA 1

SPECIFICATIONS

INPUT VOLTAGE: 120/208-240/277VAC, 60Hz (auto detection).

TIMING ACCURACY: Line frequency.

TERMINAL RANGE: #8 - #18 AWG.

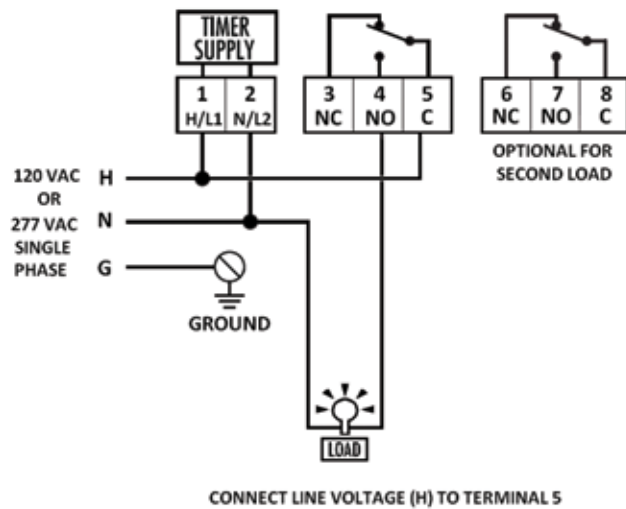
OPERATING TEMPERATURE: -31°F to 116°F (-35°C to +47°C).

POWER CONSUMPTION: 6 watts maximum.

ENCLOSURE: Polycarbonate Indoor/Outdoor NEMA 3R or -Y suffix metal indoor NEMA 1 enclosure. Both with lockable hasp standard (See pages 589-593 for dimensions).

TYPE	VOLTAGE (VAC)	RATING	
		NO	NC
General Purpose	120-277	40A	30A
Inductive	120-277	30A	15A
Ballast	120	30A	10A
	277	20A	10A
Tungsten	120	15A	
Motor Load	120	1HP, 30FLA, 90LRA	¼HP, 12FLA, 30LRA
	240	2HP, 20FLA, 60LRA	½HP, 12FLA, 33LRA
Pilot Duty	120	720VA	290VA
	240	720VA	360VA
Resistive	28VDC	20A	
Max above 104°F	120-277	30A	

TYPICAL SPST WIRING - LOAD SAME VOLTAGE AS TIMER SUPPLY



TYPICAL DPST WIRING - LOAD SAME VOLTAGE AS TIMER SUPPLY

