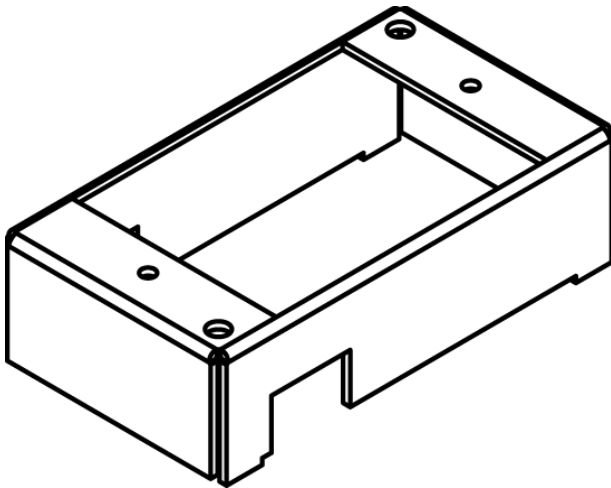




Wiremold
Evolution 6AT Series Bottom Housing Assembly
Part No. 1BHA



One-gang bottom housing assembly. Designed to accept 175CHA, 175CHA-LJB, 1125CHA, 1PTHA, and 1BLH plates.

Features & Benefits

One-gang bottom housing assembly. Designed to accept 175CHA, 175CHA-LJB, 1125CHA, 1PTHA, and 1BLH plates.

Specifications

General Info

| | | | |
|--------------------|--|--------------|-------------------|
| Product Line | Wiremold | UPC Number | 786776151169 |
| Country Of Origin | United States | Construction | Not Assembled |
| Application Sector | Commercial, Education, Healthcare, Hospitality | Standard | cULus Listed, NEC |
| Warranty Type | 1-Year from Installation or 2-Years from Day of Sale | Type | Accessory |

Dimensions

| | | | |
|------------------|----------|-------------------|---------|
| Product Width US | 2.253 in | Product Weight US | 0.4 lb |
| Product Depth US | 1.15 in | Product Length US | 4.08 in |

Listing Agencies / 3rd Party Agencies

| | | | |
|---------------------|-------|--------------|-----|
| cULus ListingNumber | E2961 | cULus Listed | Yes |
|---------------------|-------|--------------|-----|

Additional Information

RoHS Compliant

Yes
