
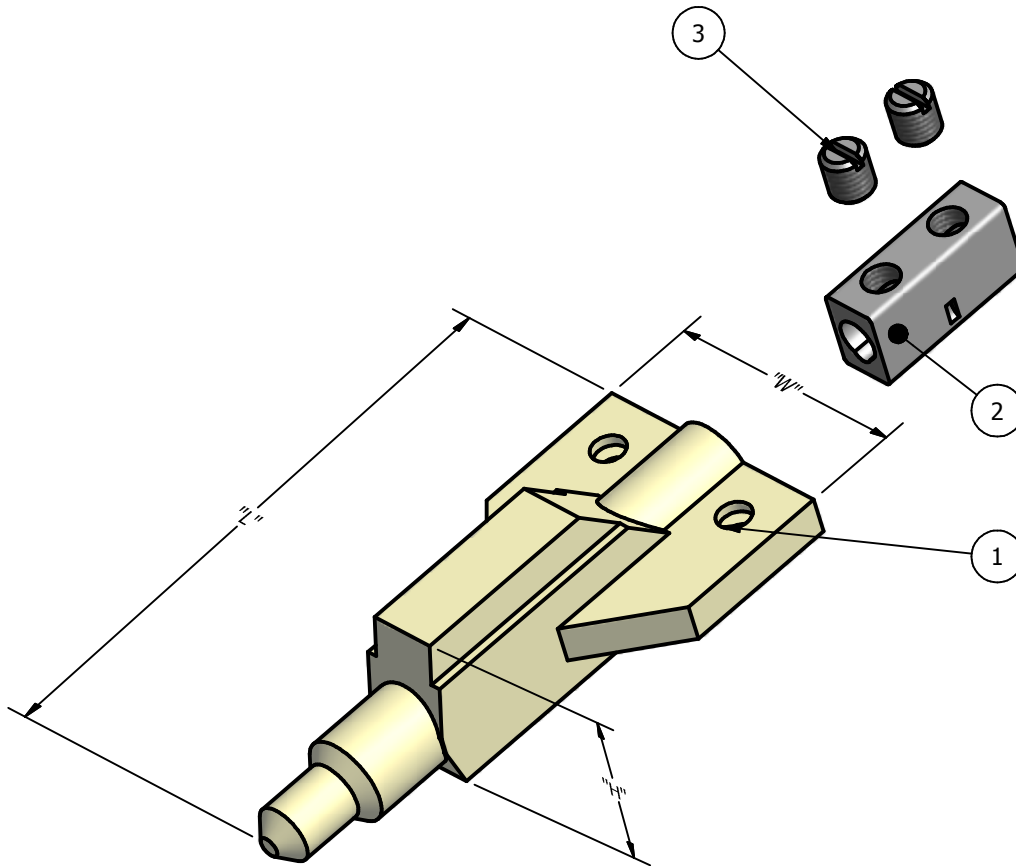


SCREW:	MATERIAL:	TOLERANCES-UNLESS OTHERWISE SPECIFIED 2 PL. DEC. ±.015 TRUE C.L. ±.015 3 PL. DEC. ±.015 ANGLES ±1		DWG. NO. M2813-01	
CAT. NO.: SPAR-4	PLATING:	DRAWN BY: NN	SCALE: 1:1	SHEET 1 OF 1	
MASS:	MARKING:	DATE: 4/23/2008	SIZE: A		
SURFACE AREA: ²	CELL:			REV.	DESCRIPTION
STUFFER SHT:				C	

CAT #: SPAR-4



ITEM	"L"	"H"	"W"
1	3.378	.888	1.529

Parts List			
ITEM	QTY	PART NUMBER	DESCRIPTION
1	1	R1684C00A	COVER WITH HOLES
2	1	D2290A22T	SPA-4 CONNECTOR
3	2	E0641C01Z	SCREW
4	1	R1689C00A	WIRE TIE
5	1	CBR1428	BAG SIZE