

## Under Cabinet/Counter Power Distribution

### Features

These boxes comply with the NEC® for kitchen receptacles, with placement not more than 20 inches above the counter surface. They can also be placed under counter islands, not lower than 15 inches from the surface.

- Available with nylon or metal cover
- Custom configurable, accepts any decorator style device
- Mounting hardware included
- UL Listed and CSA Certified under cabinet boxes



### Under Cabinet/Counter Power Distribution

Description	Material	Catalog Number
Slim Box	Stainless Steel	<b>RU100SS</b>
	White Metal	<b>RU100W</b>
	White Nylon	<b>RU170W*</b>
GFCI Fit Box	Stainless Steel	<b>RU200SS</b>
	White Metal	<b>RU200W</b>
	White Nylon	<b>RU270W*</b>

Note: \*Steel box with nylon cover.



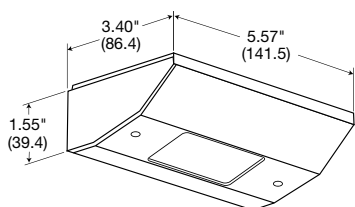
RU100W



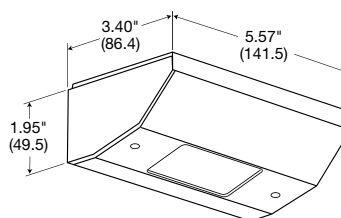
RU200SS

### Dimensions

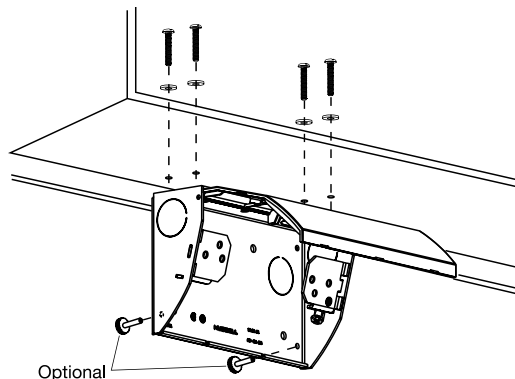
#### Slim Box



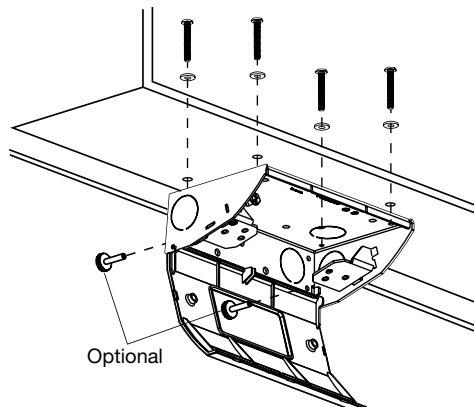
#### GFCI Fit Box



### Vertical Mount



### Horizontal Mount



Dimensions in Inches (mm)

NEC® is a registered trademark of the National Fire Protection Association (NFPA).