

CAT. NO.: SEE CHART
 MASS:

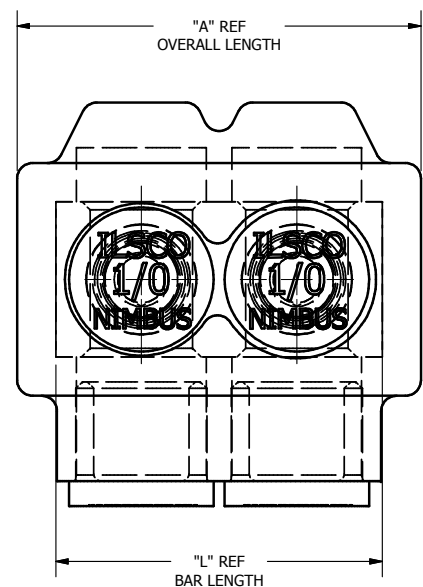
TOLERANCES-UNLESS OTHERWISE SPECIFIED
 2 PL. DEC. ±.015 TRUE CL. ±.015
 3 PL. DEC. ±.010 ANGLES ±1

DWG. NO.
M2833
 SHEET 1 OF 2



DRAWN BY: CLH SCALE:
 DATE: 1/24/2008 SIZE: B

REV.	DESCRIPTION



SEE CHART FOR CATALOG #

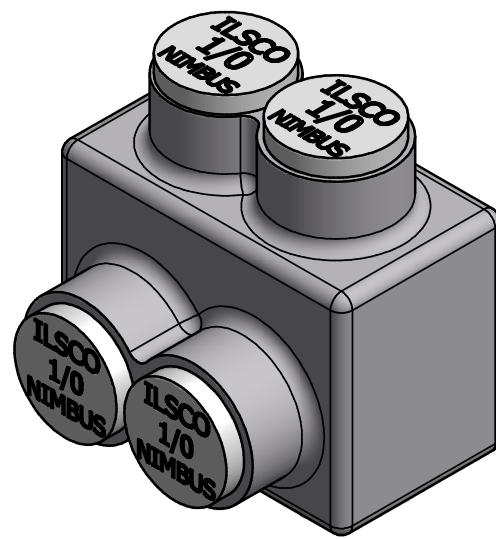
ILSCO Corp

PART NUMBER

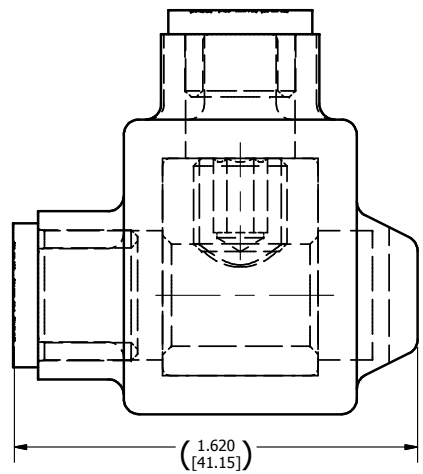
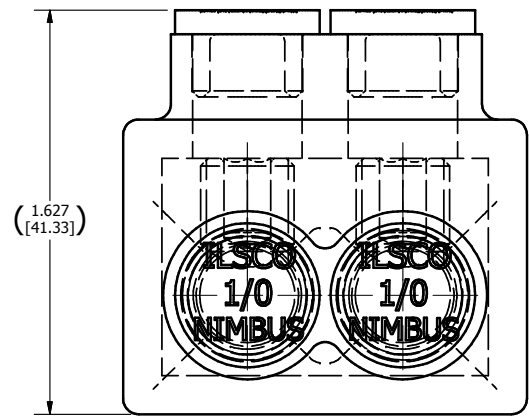
WIRE RANGE **1/0 - 14**

LISTED CU9AL 600V 90 C

VIEW A



SCALE 2 : 1



DRAWING #	CATALOG #	ILSCO FLEX CAT #	DEV	BAR #	"L"	A	# OF SCREW PORTS
M2833B02W	PBTS-2-1/0	PBTS-2-1/0-F	-02	N1281C02W	1.311	1.623	2
M2833B03W	PBTS-3-1/0	PBTS-3-1/0-F	-03	N1281C03W	1.936	2.248	3
M2833B04W	PBTS-4-1/0	PBTS-4-1/0-F	-04	N1281C04W	2.561	2.873	4
M2833B05W	PBTS-5-1/0	PBTS-5-1/0-F	-05	N1281C05W	3.186	3.498	5
M2833B06W	PBTS-6-1/0	PBTS-6-1/0-F	-06	N1281C06W	3.811	4.123	6
M2833B07W	PBTS-7-1/0	PBTS-7-1/0-F	-07	N1281C07W	4.436	4.748	7
M2833B08W	PBTS-8-1/0	PBTS-8-1/0-F	-08	N1281C08W	5.061	5.373	8
M2833B09W	PBTS-9-1/0	PBTS-9-1/0-F	-09	N1281C09W	5.686	5.998	9
M2833B10W	PBTS-10-1/0	PBTS-10-1/0-F	-10	N1281C10W	6.311	6.623	10
M2833B11W	PBTS-11-1/0	PBTS-11-1/0-F	-11	N1281C11W	6.936	7.248	11
M2833B12W	PBTS-12-1/0	PBTS-12-1/0-F	-12	N1281C12W	7.561	7.873	12
M2833B13W	PBTS-13-1/0	PBTS-13-1/0-F	-13	N1281C13W	8.186	8.498	13
M2833B14W	PBTS-14-1/0	PBTS-14-1/0-F	-14	N1281C14W	8.811	9.123	14