

SRC-I QV S

Weidmüller Interface GmbH & Co. KG

Klingenbergstraße 26

D-32758 Detmold

Germany

www.weidmueller.com

Product image



Cross-connection for the sockets in the RIDERSERIES RCI.

General ordering data

Version	RIDERSERIES RCI, Cross-connector
Order No.	1132070000
Type	SRC-I QV S
GTIN (EAN)	40322489 12087
Qty.	10 pièce(s)

SRC-I QV S

Weidmüller Interface GmbH & Co. KG
 Klingenbergstraße 26
 D-32758 Detmold
 Germany

www.weidmueller.com

Caractéristiques techniques

Dimensions and weights

Net weight	6,6 g
------------	-------

Temperatures

Storage temperature	-40 °C...85 °C	Operating temperature	-40 °C...85 °C
---------------------	----------------	-----------------------	----------------

Cross-connection data

Rated current	12 A	Insulation	Yes
Touch-safe protection	Yes	Colour	white
Number of cross-connected terminals	8	Number of poles	8
Pitch in mm (P)	15,2 mm	Version	can be cut to length

General data

Version	can be cut to length	Colour	white
---------	----------------------	--------	-------

Connection data

Pitch in mm (P)	15,2 mm
-----------------	---------

Classifications

ETIM 6.0	EC002586	ETIM 7.0	EC002586
ETIM 8.0	EC002586	ETIM 9.0	EC002586
ECLASS 9.1	27-37-16-92	ECLASS 10.0	27-37-16-92
ECLASS 11.0	27-37-16-92	ECLASS 12.0	27-37-16-92
ECLASS 13.0	27-37-16-92	ECLASS 14.0	27-37-16-92

Environmental Product Compliance

RoHS Compliance Status	Compliant without exemption
REACH SVHC	No SVHC above 0.1 wt%

Approvals

ROHS	Conform
------	---------

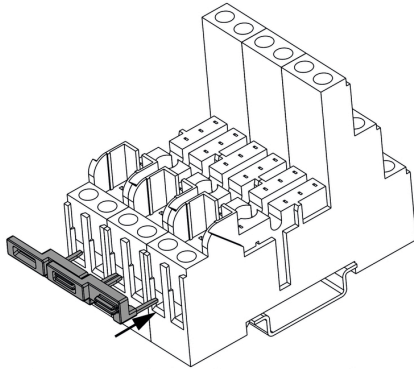
Downloads

Engineering Data	CAD data – STEP
Catalogues	Catalogues in PDF-format
Brochures	

SRC-I QV S

Weidmüller Interface GmbH & Co. KG
Klingenbergstraße 26
D-32758 Detmold
Germany

www.weidmueller.com

Dessins**Example of use****How to install cross connection**

Plug the cross connection into wire-connection opening
and fix it with tighten the screw
Plug the cross-connection in the cable connections

Example of use