

**STRIPAX PLUS 2.5****Weidmüller Interface GmbH & Co. KG**

Klingenbergstraße 26

D-32758 Detmold

Germany

www.weidmueller.com

**Cutting, stripping and crimping tools for connected wire-end ferrules strips**

- Cutting
- Stripping
- Crimping
- Automatic feeding of wire end ferrules
- Ratchet guarantees precise crimping
- Release option in the event of incorrect operation
- Efficient: only one tool needed for cable work, and thus significant time saved
- Only strips of linked wire end ferrules, each containing 50 pieces, from Weidmüller may be processed. The use of wire end ferrules on reels may lead to destruction.

**General ordering data**

Version	Cutting, stripping and crimping tool, Crimping tool for wire-end ferrules, 0.5mm <sup>2</sup> , 2.5mm <sup>2</sup> , Trapezoidal crimp
Order No.	<a href="#">9020000000</a>
Type	STRIPAX PLUS 2.5
GTIN (EAN)	4008190067267
Qty.	1 pièce(s)
Replacement parts	<a href="#">9050340000</a> <a href="#">2917160000</a>

Date de création 26 novembre 2024 13:27:05 CET

Niveau du catalogue 26.11.2024 / Toutes modifications techniques réservées

**STRIPAX PLUS 2.5****Weidmüller Interface GmbH & Co. KG**

Klingenbergstraße 26

D-32758 Detmold

Germany

www.weidmueller.com

**Caractéristiques techniques****Dimensions and weights**

Width	210 mm	Width (inches)	8,268 inch
Net weight	248,63 g		

**Technical data**

Description of article	(1)Crimping tool	Version	Mechanical, without interchangeable inserts
------------------------	------------------	---------	---

**Description of contact**

Conductor cross-section, max. AWG	AWG 14	Conductor cross-section, min. AWG	AWG 20
Crimping range, max.	2,5 mm <sup>2</sup>	Crimping range, min.	0,5 mm <sup>2</sup>
Type of contact	Strips of linked wire-end ferrules		

**tool data crimping**

Crimping type/profile	Trapezoidal crimp	Wire end ferrules cross-section, max.	2,5 mm <sup>2</sup>
Wire end ferrules cross-section, min.	0,5 mm <sup>2</sup>		

**Classifications**

ETIM 6.0	EC002109	ETIM 7.0	EC002109
ETIM 8.0	EC002109	ETIM 9.0	EC002109
ECLASS 9.0	21-04-37-06	ECLASS 9.1	21-04-37-06
ECLASS 10.0	21-04-37-06	ECLASS 11.0	21-04-37-06
ECLASS 12.0	21-04-37-06	ECLASS 13.0	21-04-37-06
ECLASS 14.0	21-04-37-06		

**Environmental Product Compliance**

RoHS Compliance Status	Not affected
REACH SVHC	Lead 7439-92-1
SCIP	2159813b-98fd-4068-b62a-bc89a046c012

**Downloads**

Engineering Data	<a href="#">CAD data – STEP</a>
Product Change Notification	<a href="#">Technische Änderung für Crimpwerkzeug stripax plus 2.5</a> <a href="#">Technical change to Crimping tool Stripax plus 2.5</a>
User Documentation	<a href="#">Manual</a>
Catalogues	<a href="#">Catalogues in PDF-format</a>
Brochures	

**Fiche de données**

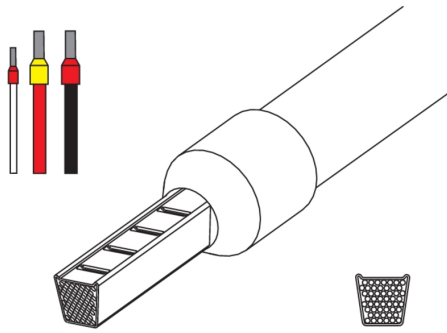
**STRIPAX PLUS 2.5**

**Weidmüller Interface GmbH & Co. KG**  
Klingenbergstraße 26  
D-32758 Detmold  
Germany

[www.weidmueller.com](http://www.weidmueller.com)

**Dessins**

**Example of use**



**Example of use**



**Example of use**

