

## UR20-FBC-EIP

**Weidmüller Interface GmbH & Co. KG**

Klingenbergstraße 26

D-32758 Detmold

Germany

[www.weidmueller.com](http://www.weidmueller.com)

### Product image



Similar to illustration

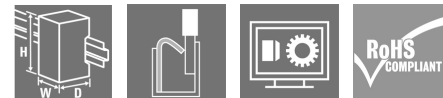
### More performance. Simplified. u-remote.

Weidmüller u-remote – our innovative remote I/O concept with IP 20 which focuses purely on user benefits: tailored planning, faster installation, safer start-up, and no more downtime for considerably improved performance and greater productivity.

Reduce the size of your cabinets with u-remote, thanks to the narrowest modular design on the market and the need for fewer power-feed modules. Our u-remote technology offers tool-free assembly while the modular “sandwich” design and integrated web server speed up installation, both in the cabinet and machine. Status LEDs on the channel and each u-remote module enable reliable diagnosis and rapid service.

Our products boost the availability of your machines and systems, and ensure smooth processes, from planning to operation.

u-remote stands for “More Performance.” Simplified.



### General ordering data

Version	Remote I/O fieldbus coupler, IP20, Ethernet, EtherNet/IP
Order No.	<a href="#">1334920000</a>
Type	UR20-FBC-EIP
GTIN (EAN)	4050118138160
Qty.	1 pièce(s)
Replacement parts	<a href="#">1541290000</a>

## UR20-FBC-EIP

Weidmüller Interface GmbH &amp; Co. KG

Klingenbergstraße 26

D-32758 Detmold

Germany

www.weidmueller.com

## Caractéristiques techniques

## Dimensions and weights

Depth	76 mm	Depth (inches)	2,992 inch
Height	120 mm	Height (inches)	4,724 inch
Width	52 mm	Width (inches)	2,047 inch
Mounting dimension - height	128 mm	Net weight	223 g

## Temperatures

Storage temperature	-40 °C ... +85 °C	Operating temperature	-20 °C ... +60 °C
---------------------	-------------------	-----------------------	-------------------

## Connection data

Type of connection	PUSH IN	Wire connection cross section, finely stranded, max.	1,5 mm <sup>2</sup>
Wire connection cross section, finely stranded, min.	0,14 mm <sup>2</sup>	Wire cross-section, finely stranded, max. (AWG)	AWG 16
Wire cross-section, finely stranded, min. (AWG)	AWG 26	Wire cross-section, solid, max.	1,5 mm <sup>2</sup>
Wire cross-section, solid, max. (AWG)	AWG 16	Wire cross-section, solid, min.	0,14 mm <sup>2</sup>
Wire cross-section, solid, min. (AWG)	AWG 26		

## General data

Air humidity (operation)	10% to 95%, non-condensing as per DIN EN 61131-2	Air humidity (storage)	10% to 95%, non-condensing as per DIN EN 61131-2
Air humidity (transport)	10% to 95%, non-condensing as per DIN EN 61131-2	Air pressure (operation)	≥ 795 hPa (height ≤ 2000 m) as per DIN EN 61131-2
Air pressure (storage)	1013 hPa (height 0 m) to 700 hPa (height 3000 m) as per DIN EN 61131-2	Air pressure (transport)	1013 hPa (height 0 m) to 700 hPa (height 3000 m) as per DIN EN 61131-2
Pollution severity	2	Rail	TS 35
Shock	15 g over 11 ms, half sinus wave, acc. to IEC 60068-2-27	Surge voltage category	II
Test voltage	500 V	UL 94 flammability rating	V-0
Vibration resistance	5 Hz ≤ f ≤ 8.4 Hz: 3.5-mm amplitude as per IEC 60068-2-6, 8.4 Hz ≤ f ≤ 150 Hz: 1 g acceleration as per IEC 60068-2-6		

## Power supply

Current consumption from I <sub>sys</sub> , typ.	112 mA		
Feed current for I <sub>IN</sub> (input current path)	nominal	10 000 mA	
	max.	10 000 mA	
	min.	10 000 mA	
Feed current for I <sub>IN</sub> (input current path), max.	10 A		
Feed current for I <sub>OUT</sub> (output current path)	max.	10 000 mA	
	min.	10 000 mA	
	nominal	10 000 mA	
Feed current for I <sub>OUT</sub> (output current path), max.	10 A		
Feed current for the system, max.	4 A		
Supply voltage for outputs	24 V DC +20 %/ -15 %		

Date de création 26 novembre 2024 13:13:26 CET

## UR20-FBC-EIP

**Weidmüller Interface GmbH & Co. KG**  
 Klingenbergstraße 26  
 D-32758 Detmold  
 Germany

www.weidmueller.com

## Caractéristiques techniques

Supply voltage system and inputs	24 V DC +20 %/ -15 %
Voltage supply	24 V DC +20 %/ -15 %, via the system bus

### System data

Configuration interface	Micro USB 2.0	Connection type	2x RJ45 plug-in connectors
Diagnostic data	3 008 Byte	Field bus protocol	EtherNet/IP
Interface	u-remote system bus	Module type	Bus coupler
Parameter data	4 kByte	Process data	988 Byte
Transmission rate of field bus, max.	100 Mbit/s	Transmission speed of system bus, max.	48 Mbit/s
max. number of modules	64		

### Classifications

ETIM 6.0	EC001603	ETIM 7.0	EC001603
ETIM 8.0	EC001603	ETIM 9.0	EC001603
ECLASS 9.0	27-24-26-07	ECLASS 9.1	27-24-26-07
ECLASS 10.0	27-24-26-07	ECLASS 11.0	27-24-26-07
ECLASS 12.0	27-24-26-07	ECLASS 13.0	27-24-26-07
ECLASS 14.0	27-24-26-07		

### Environmental Product Compliance

RoHS Compliance Status	Compliant with exemption
RoHS Exemption (if applicable/known)	7a, 7cl
REACH SVHC	Lead 7439-92-1 6,6'-di-tert-butyl-2,2'-methylenedi-p-cresol 119-47-1
SCIP	98e19a7e-033b-4e68-93e3-c47b30de875e

### Important note

Product information The matching end brackets are included with the coupler.

### Approvals

Approvals



ROHS	Conform
UL File Number Search	UL Website
Certificate no. (cULus)	E141197
Certificate no. (cULusEX)	E223527

## UR20-FBC-EIP

Weidmüller Interface GmbH &amp; Co. KG

Klingenbergstraße 26

D-32758 Detmold

Germany

www.weidmueller.com

## Caractéristiques techniques

## Downloads

Approval/Certificate/Document of Conformity	<a href="#">KC certificate</a> <a href="#">Compass safe distance certificate</a> <a href="#">Lloyds Register certificate</a> <a href="#">DNV certificate</a> <a href="#">ABS certificate</a> <a href="#">RINA certificate</a> <a href="#">Bureau Veritas - Type Approval Certificate</a> <a href="#">PRS (Polish Register of Shipping)</a> <a href="#">NIPPON KAIJI KYOKAI Certificate - ClassNK</a> <a href="#">WI13ATEX0002 Power Calc</a> <a href="#">DEMKO15ATEX1525X</a> <a href="#">CCC certificate</a> <a href="#">UR20 coupler CCC certificate</a> <a href="#">CCS certificate</a> <a href="#">CCS certificate</a> <a href="#">UKCA Declaration of Conformity - EN</a> <a href="#">CE Declaration of Conformity - DE</a> <a href="#">20211018 Security Advisory – Remote I/O fieldbus couplers (IP20) affected by INFRA:HALT vulnerabilities</a> <a href="#">20220621 Security Advisory - EtherNet/IP Fieldbus Coupler out-of-bounds write</a>
Engineering Data	<a href="#">Compatibility information – Combinability of UR20</a> <a href="#">Quick start guide – UR20-FBC-EIP (all variants) Quick Start Guide - Commissioning with Allen-Bradley MicroLogix 1400</a> <a href="#">CAD data – STEP</a> <a href="#">Application notes – UR20-EIP Importing module data from the u-remote web server into Studio 5000</a>
Product Change Notification	<a href="#">Release-Notes - Firmware, EDS and Supported modules list</a>
Software	<a href="#">Firmware – Application Note Firmwareupdate UR20 coupler EN</a> <a href="#">Firmware – Application Note Firmwareupdate UR20 coupler DE</a> <a href="#">Library and function block – Language Pack UR20_FBC</a> <a href="#">Firmware – Archiv Firmware files EtherNet/IP coupler HW1</a> <a href="#">Firmware – Current Firmware file EtherNet/IP coupler HW1</a> <a href="#">Device description – Archiv EDS files EtherNet/IP coupler HW1</a> <a href="#">Device description – Current EDS file EtherNet/IP coupler HW1</a> <a href="#">Firmware – Archiv Firmware files EtherNet/IP coupler HW2</a> <a href="#">Firmware – Current Firmware files EtherNet/IP coupler HW2</a> <a href="#">Device description – Archiv EDS files EtherNet/IP coupler HW2</a> <a href="#">Device description – Current EDS file EtherNet/IP coupler HW2</a> <a href="#">Driver – USB driver</a> <a href="#">Software – CIP Bridging</a>
User Documentation	<a href="#">Handbuch u-remote DE</a> <a href="#">Manual u-remote EN</a> <a href="#">MAN_UR20_WEBSERVER_DE</a> <a href="#">MAN_UR20_WEBSERVER_EN</a> <a href="#">Security Data Sheet u-remote FB Coupler V1.0</a> <a href="#">Application notes – Industrial Product Security Guideline</a>
Catalogues	<a href="#">Catalogues in PDF-format</a>

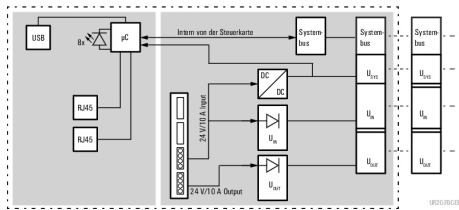
**UR20-FBC-EIP**

**Weidmüller Interface GmbH & Co. KG**  
 Klingenbergstraße 26  
 D-32758 Detmold  
 Germany

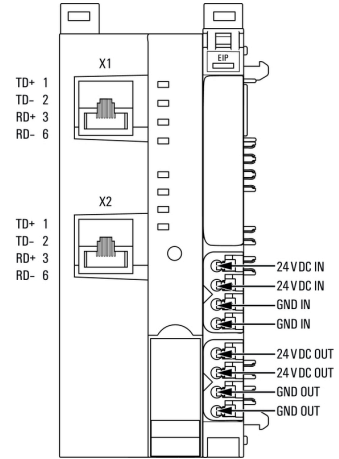
www.weidmueller.com

**Dessins**

**Block diagram**



**Connection diagram**



**Explanation of abbreviations**

**Field bus coupler**

