

**RSS113012****Weidmüller Interface GmbH & Co. KG**

Klingenbergstraße 26

D-32758 Detmold

Germany

www.weidmueller.com

**Product image**

Similar to illustration

Individual relays for TERMSERIES

- Electromechanical relays
- Different contact materials

**General ordering data**

Version	TERMSERIES, Relay, Number of contacts: 1, CO contact AgNi, Rated control voltage: 12 V DC, Continuous current: 6 A, Plug-in connection, Test button available: No
Order No.	<a href="#">4061610000</a>
Type	RSS113012
GTIN (EAN)	4032248252244
Qty.	20 pièce(s)

Date de création 26 novembre 2024 13:51:38 CET

Niveau du catalogue 26.11.2024 / Toutes modifications techniques réservées

RSS113012

Weidmüller Interface GmbH &amp; Co. KG

Klingenbergstraße 26

D-32758 Detmold

Germany

www.weidmueller.com

## Caractéristiques techniques

## Dimensions and weights

Depth	15 mm	Depth (inches)	0,591 inch
Height	28 mm	Height (inches)	1,102 inch
Width	5 mm	Width (inches)	0,197 inch
Net weight	4,65 g		

## Temperatures

Storage temperature	-40 °C...85 °C	Operating temperature	-40 °C...85 °C
Humidity	5...85 % rel. humidity, no condensation		

## Rated data UL

Certificate No. (cURus)	E223474
-------------------------	---------

## Control side

Rated control voltage	12 V DC	Rated current DC	14 mA
Power rating	170 mW	Coil resistance	847 $\Omega$ $\pm$ 10 %
Status indicator	No		

## Load side

Rated switching voltage	250 V AC	Max. switching frequency at rated load	0,1 Hz
Max. switching voltage, AC	250 V	Max. switching voltage, DC	250 V
Inrush current	20 A / 20 ms	AC switching capacity (resistive), max.	1500 VA
DC switching capacity (resistive), max.	144 W @ 24 V	Switch-on delay	<8 ms
Switch-off delay	<4 ms	Contact type	1 CO contact (AgNi)
Mechanical service life	5 x 10 <sup>6</sup> switching cycles	Min. switching power	1 mA @ 24 V, 10 mA @ 10 V, 100 mA @ 5 V

## General data

Test button available	No	Mechanical switch position indicator	No
Colour	white	UL 94 flammability rating	V-0

## Insulation coordination

Clearance and creepage distances for control side - load side	$\geq$ 6 mm	Dielectric strength for control side - load side	4 kV <sub>eff</sub> / 1 Min.
Dielectric strength of open contact	1 kV <sub>eff</sub> / 1 min	Protection degree	IP67

## Further details of approvals / standards

Certificate No. (VDE)	40029391	Certificate No. (cURus)	E223474
-----------------------	----------	-------------------------	---------

## Connection data

Wire connection method	Plug-in connection
------------------------	--------------------

**RSS113012****Weidmüller Interface GmbH & Co. KG**

Klingenbergstraße 26

D-32758 Detmold

Germany

www.weidmueller.com

**Caractéristiques techniques****Classifications**

ETIM 6.0	EC001437	ETIM 7.0	EC001437
ETIM 8.0	EC001437	ETIM 9.0	EC001437
ECLASS 9.0	27-37-16-01	ECLASS 9.1	27-37-16-01
ECLASS 10.0	27-37-16-01	ECLASS 11.0	27-37-16-01
ECLASS 12.0	27-37-16-01	ECLASS 13.0	27-37-16-01
ECLASS 14.0	27-37-16-01		

**Environmental Product Compliance**

RoHS Compliance Status	Compliant without exemption
REACH SVHC	No SVHC above 0.1 wt%

**Approvals**

Approvals



ROHS	Conform
UL File Number Search	UL Website
Certificate No. (cURus)	E223474

**Downloads**

Engineering Data	<a href="#">CAD data – STEP</a>
User Documentation	<a href="#">FL_TERMSERIES_RSS1COAgNi_LOAD_GUIDE</a>
Catalogues	<a href="#">Catalogues in PDF-format</a>
Brochures	

**Fiche de données**

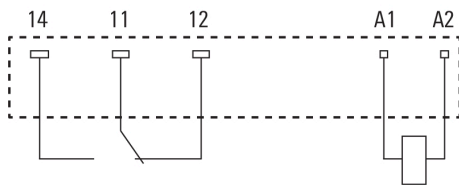
**RSS113012**

**Weidmüller Interface GmbH & Co. KG**  
 Klingenbergstraße 26  
 D-32758 Detmold  
 Germany

www.weidmueller.com

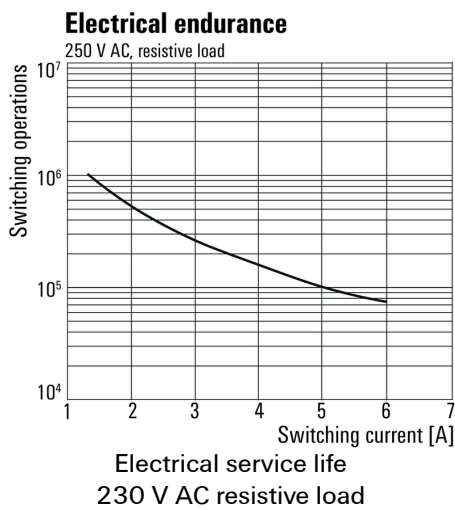
**Dessins**

**Wiring diagram**

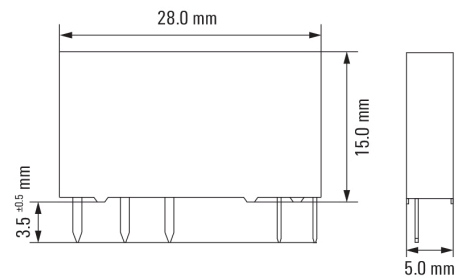


View of Pins from below

**Graph**



**Dimensional drawing**



**RSS113012**

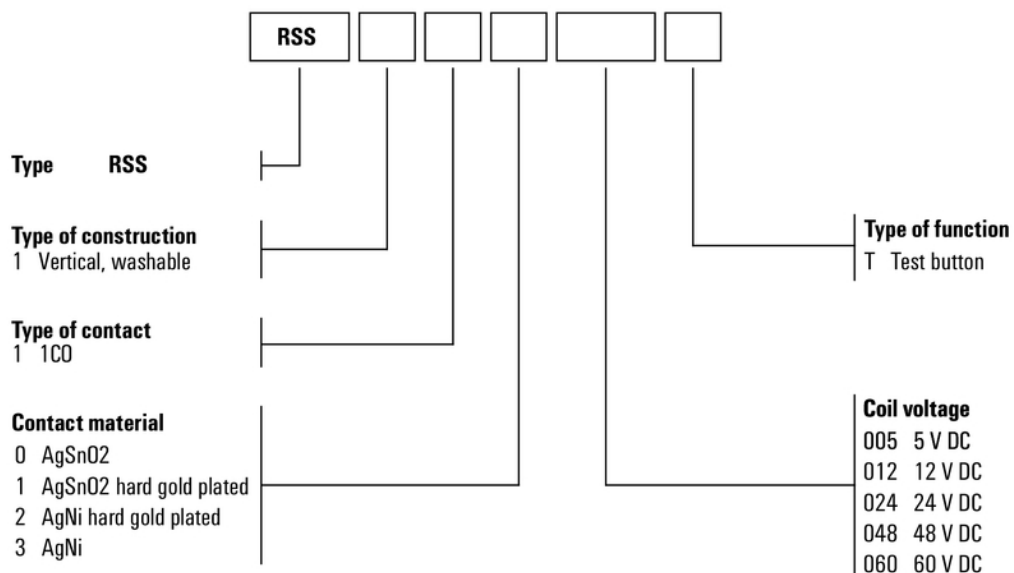
**Weidmüller Interface GmbH & Co. KG**  
 Klingenbergstraße 26  
 D-32758 Detmold  
 Germany

**Dessins**

www.weidmueller.com

**Miscellaneous**

**Type code electromechanical relay (TERMSERIES)**



Type codes