

UR20-FBC-EIP-V2

Weidmüller Interface GmbH & Co. KG

Klingenbergstraße 26

D-32758 Detmold

Germany

www.weidmueller.com

Product image



Similar to illustration

More performance. Simplified. u-remote.

Weidmüller u-remote – our innovative remote I/O concept with IP 20 which focuses purely on user benefits: tailored planning, faster installation, safer start-up, and no more downtime for considerably improved performance and greater productivity.

Reduce the size of your cabinets with u-remote, thanks to the narrowest modular design on the market and the need for fewer power-feed modules. Our u-remote technology offers tool-free assembly while the modular “sandwich” design and integrated web server speed up installation, both in the cabinet and machine. Status LEDs on the channel and each u-remote module enable reliable diagnosis and rapid service.

Our products boost the availability of your machines and systems, and ensure smooth processes, from planning to operation.

u-remote stands for “More Performance.” Simplified.

General ordering data

Version	Remote I/O fieldbus coupler, IP20, Ethernet, Ether-Net/IP
Order No.	1550550000
Type	UR20-FBC-EIP-V2
GTIN (EAN)	4050118356885
Qty.	1 pièce(s)

UR20-FBC-EIP-V2

Weidmüller Interface GmbH & Co. KG

Klingenbergstraße 26

D-32758 Detmold

Germany

www.weidmueller.com

Caractéristiques techniques

Dimensions and weights

Depth	76 mm	Depth (inches)	2,992 inch
Height	120 mm	Height (inches)	4,724 inch
Width	52 mm	Width (inches)	2,047 inch
Net weight	223 g		

Temperatures

Storage temperature	-40 °C ... +85 °C
---------------------	-------------------

Connection data

Type of connection	PUSH IN	Wire connection cross section, finely stranded, max.	1,5 mm ²
Wire connection cross section, finely stranded, min.	0,14 mm ²	Wire cross-section, finely stranded, max. (AWG)	AWG 16
Wire cross-section, finely stranded, min. (AWG)	AWG 26	Wire cross-section, solid, max.	1,5 mm ²
Wire cross-section, solid, max. (AWG)	AWG 16	Wire cross-section, solid, min.	0,14 mm ²
Wire cross-section, solid, min. (AWG)	AWG 26		

General data

Air humidity (operation)	10% to 95%, non-condensing as per DIN EN 61131-2	Air humidity (storage)	10% to 95%, non-condensing as per DIN EN 61131-2
Air humidity (transport)	10% to 95%, non-condensing as per DIN EN 61131-2	Air pressure (operation)	≥ 795 hPa (height ≤ 2000 m) as per DIN EN 61131-2
Air pressure (storage)	1013 hPa (height 0 m) to 700 hPa (height 3000 m) as per DIN EN 61131-2	Air pressure (transport)	1013 hPa (height 0 m) to 700 hPa (height 3000 m) as per DIN EN 61131-2
Pollution severity	2	Rail	TS 35
Shock	15 g over 11 ms, half sinus wave, acc. to IEC 60068-2-27	Surge voltage category	II
Test voltage	500 V	UL 94 flammability rating	V-0
Vibration resistance	5 Hz ≤ f ≤ 8.4 Hz: 3.5-mm amplitude as per IEC 60068-2-6, 8.4 Hz ≤ f ≤ 150 Hz: 1 g acceleration as per IEC 60068-2-6		

Power supply

Current consumption from I _{sys} , typ.	100 mA	
Feed current for I _{IN} (input current path)	nominal	10 000 mA
	max.	10 000 mA
	min.	10 000 mA
Feed current for I _{IN} (input current path), max.	10 A	
Feed current for I _{OUT} (output current path)	max.	10 000 mA
	min.	10 000 mA
	nominal	10 000 mA
Feed current for I _{OUT} (output current path), max.	10 A	
Feed current for the system, max.	4 A	
Supply voltage for outputs	24 V DC +20 %/ -15 %	

Date de création 26 novembre 2024 13:12:24 CET

UR20-FBC-EIP-V2

Weidmüller Interface GmbH & Co. KG
 Klingenbergstraße 26
 D-32758 Detmold
 Germany

www.weidmueller.com

Caractéristiques techniques

Supply voltage system and inputs	24 V DC +20 %/ -15 %
Voltage supply	24 V DC +20 %/ -15 %, via the system bus

System data

Configuration interface	Micro USB 2.0	Connection type	2x RJ45 plug-in connectors
Diagnostic data	3 008 Byte	Field bus protocol	EtherNet/IP
Galvanic isolation	500 V DC between the current paths	Interface	u-remote system bus
Module type	Bus coupler	Parameter data	4 kByte
Process data	988 Byte	Transmission rate of field bus, max.	100 Mbit/s
Transmission speed of system bus, max.	48 Mbit/s	max. number of modules	64

Classifications

ETIM 6.0	EC001603	ETIM 7.0	EC001603
ETIM 8.0	EC001603	ETIM 9.0	EC001603
ECLASS 9.0	27-24-26-07	ECLASS 9.1	27-24-26-07
ECLASS 10.0	27-24-26-07	ECLASS 11.0	27-24-26-07
ECLASS 12.0	27-24-26-07	ECLASS 13.0	27-24-26-07
ECLASS 14.0	27-24-26-07		

Environmental Product Compliance

RoHS Compliance Status	Compliant with exemption
RoHS Exemption (if applicable/known)	7a, 7cl
REACH SVHC	Lead 7439-92-1 6,6'-di-tert-butyl-2,2'-methylenedi-p-cresol 119-47-1
SCIP	98e19a7e-033b-4e68-93e3-c47b30de875e

Important note

Product information	The matching end brackets are included with the coupler.
---------------------	--

Approvals

Approvals

ROHS	Conform
------	---------

UR20-FBC-EIP-V2

Weidmüller Interface GmbH & Co. KG

Klingenbergstraße 26

D-32758 Detmold

Germany

www.weidmueller.com

Caractéristiques techniques

Downloads

Approval/Certificate/Document of Conformity	KC certificate DNV certificate WI13ATEX0002 Power Calc CCC certificate CCS certificate CCS certificate UKCA Declaration of Conformity - EN CE Declaration of Conformity - DE
Engineering Data	Compatibility information – Combinability of UR20 CAD data – STEP Application notes – UR20-EIP Importing module data from the u-remote web server into Studio 5000
Product Change Notification	Release-Notes - Firmware, EDS and Supported modules list
Software	Library and function block – Language Pack UR20_FBC Device description – Current EDS file EtherNet/IP-V2 coupler Firmware – Current Firmware files EtherNet/IP-V2 coupler Firmware – Archiv Firmware files EtherNet/IP-V2 coupler Device description – Archiv EDS files EtherNet/IP-V2 coupler Software – CIP Bridging
User Documentation	Handbuch u-remote DE Manual u-remote EN MAN_UR20_WEBSERVER_DE MAN_UR20_WEBSERVER_EN Security Data Sheet u-remote FB Coupler V1.0 Application notes – Industrial Product Security Guideline
Catalogues	Catalogues in PDF-format

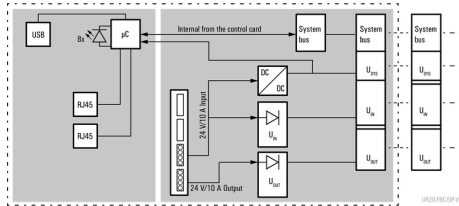
UR20-FBC-EIP-V2

Weidmüller Interface GmbH & Co. KG
 Klingenbergstraße 26
 D-32758 Detmold
 Germany

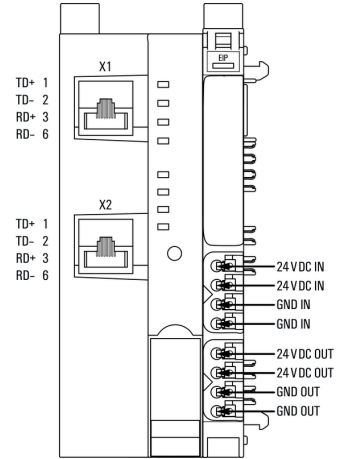
Dessins

www.weidmueller.com

Block diagram



Connection diagram



Explanation of abbreviations

Field bus coupler

