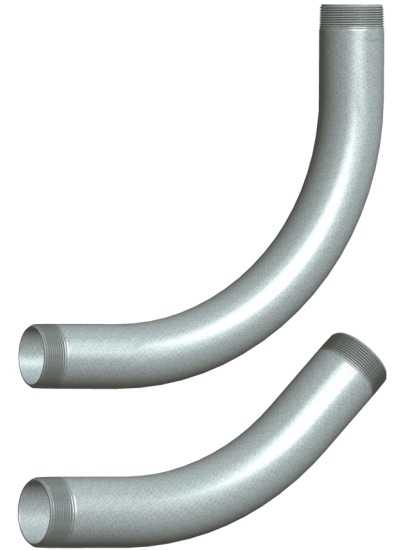
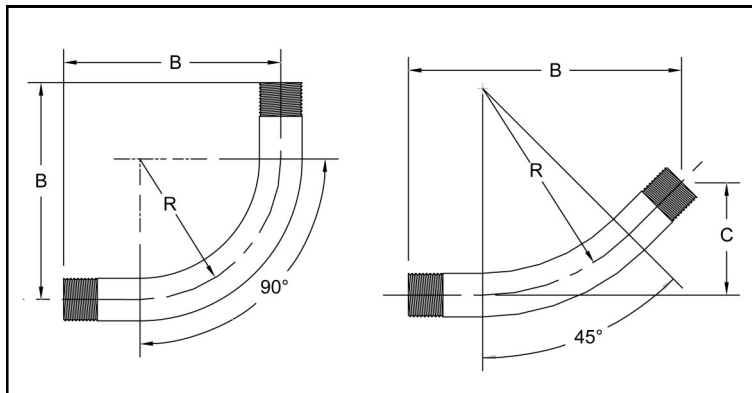


## Conduit Fittings

### Rigid Conduit Elbows 90° and 45°



Standard Radius				
Size	Radius R	90° B Dim.	45° B Dim.	45° C Dim.
1/2	4	6-3/16	7-13/16	3-1/4
3/4	4-1/2	6-3/4	8-11/16	3-5/8
1	5-3/4	8-5/8	9-3/16	3-13/16
1-1/4	7-1/4	10-1/16	10-11/16	4-7/16
1-1/2	8-1/4	11-9/16	11-13/16	4-7/8
2	9-1/2	14-1/16	14-7/8	6-1/8
2-1/2	10-1/2	16	18-5/16	7-9/16
3	13	19-11/16	20-9/16	8-1/2
3-1/2	15	22-3/16	23-3/16	9-5/8
4	16	23-1/8	24-1/2	10-1/8
5	24	36-1/8	38-1/4	15-7/8
6	30	42-15/16	42	17-3/8

Special Radius				
Radius R	Sizes Available	90° B Dim.	45° B Dim.	45° C Dim.
12	1 thru 2-1/2	21	23-7/8	9-7/8
15	1 thru 3	24	26	10-3/4
18	1 thru 4	28	29-3/4	12-3/8
24	1 thru 4	35	35-3/4	14-13/16
30	1 thru 5	41	40	16-9/16
36	1 thru 6	47	44-1/4	18-5/16
42	1 thru 6	54	50-1/8	20-13/16
48	1 thru 6	60	54-3/8	22-9/16

**Material:** Galvanized Steel, 304 Stainless Steel and Aluminum Elbows are listed cULUS and meet requirements of both CSA and UL.  
 5" and 6" Elbows are available only in Galvanized Steel and Aluminum.  
 316 Stainless Steel Elbows are available upon request.  
 Aluminum Elbows are made from 6063 alloy with a maximum Copper content of 0.1%.

**Notes:** Radius R is the minimum. Dimensions B and C are reference dimensions.  
 11-1/4°, 15°, 22-1/2°, 30° and 60° Elbows are also available.  
 Both ends NPT threads conform to ANSI B1.20.1.