



Quality Products. Service Excellence.

Type 4 Mild Steel Wallmount Enclosure *Eclipse Series*

Hinge Door with Quarter Turn/Handle



**Panel
Sold
Separately**



Application

- Designed to enclose electrical and/or electronic equipment and protect against harsh, industrial environments for wallmount applications.
- Impressive styling features like hidden hinges, attractive latching systems make the Eclipse a suitable addition to any high-tech equipment installation.
- A wide range of sizes and practical accessories make this product line a complete package.

Standards

- UL 508A Type 3R, 4, and 12
- CSA Type 3R, 4, and 12
- Complies with
 - NEMA Type 3R, 4, and 12
 - IEC 60529, IP66

Construction

- Formed 14 or 16 gauge steel.
- Smooth, continuously welded seams ground smooth.
- Door stiffeners are provided where required for increased strength and rigidity - designed to also permit additional mounting options.
- Formed lip on enclosure to exclude flowing liquids and contaminants.
- Door latches feature the added safety of quarter turn slot requiring use of tool for opening
- Doors may be easily removed for modifications and are interchangeable.
- Seamless poured-in place gasket.
- Collar studs provided for mounting inner panel.
- Includes hardware kit with panel mounting nuts and sealing washers for wall mounting holes.
- Bonding stud provided on door and grounding stud installed in enclosure.
- Hinges are constructed from 304 stainless steel.
- Hinge pins are stainless steel.
- Quarter turn latch and multi-point handle (key lockable) are zinc diecast with black epoxy finish.
- Door alignment guide provided on 36" wide enclosures.

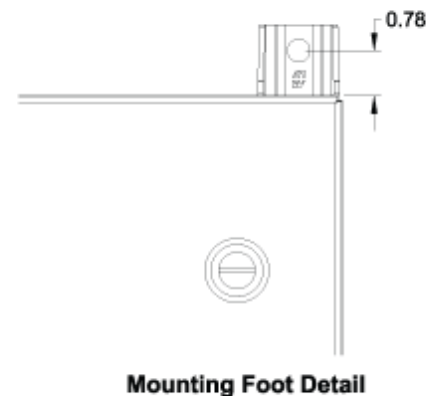
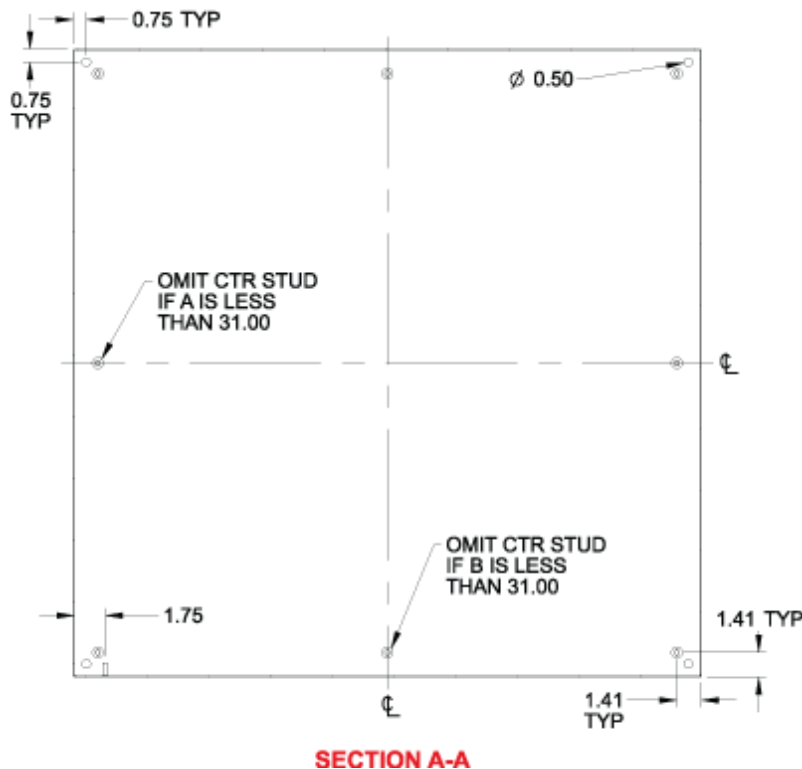
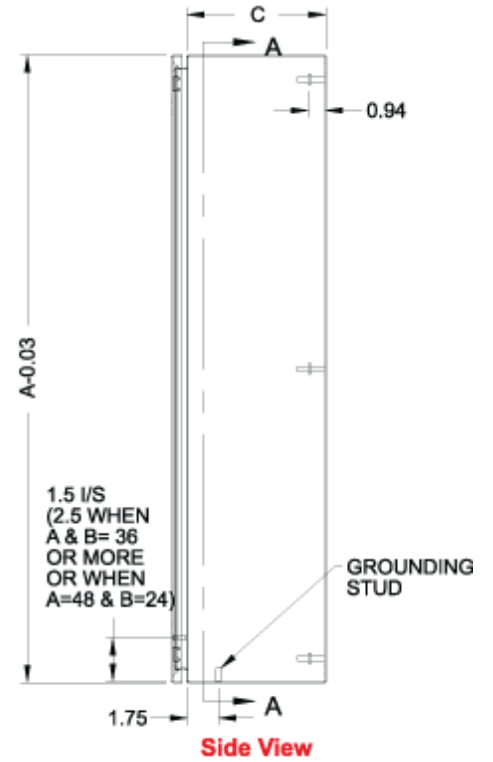
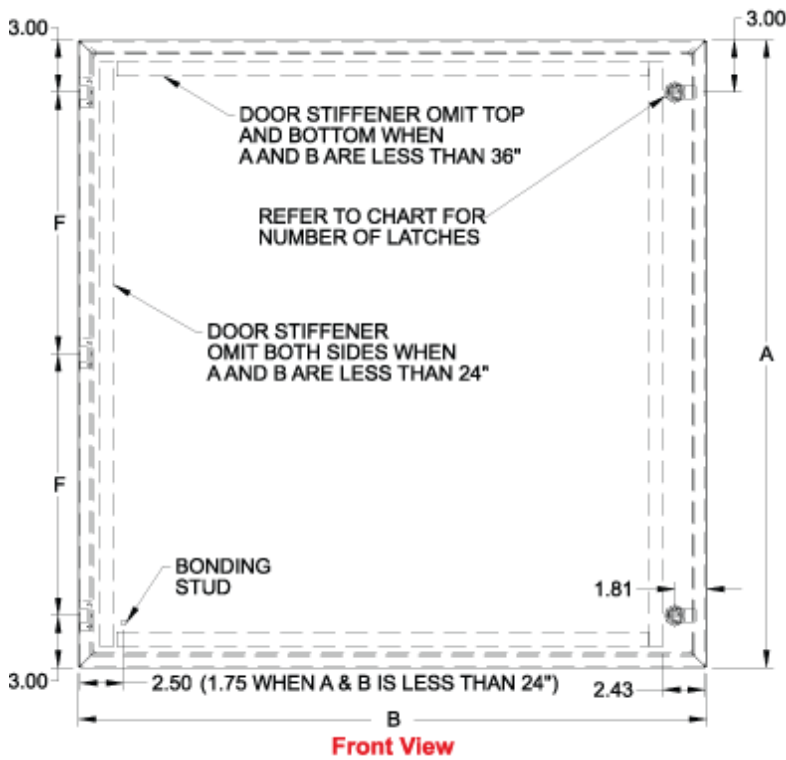
Finish

- Cover and enclosure are phosphatized and finished with a recoatable powder inside and out with choice of ANSI 61 smooth Gray (GY) or RAL7035 textured light gray (LG).

Accessories

- Climate Control
- Ventilation
- DIN Rail Mounting Kit
- Door Stop Kit
- Blowers and Fans
- DIN Rails
- Drip Shield Kit
- Filtered Fans

- Gland Plates
- Inner Panels
- Quarter Turn Inserts and Keys
- Mounting Foot Kit
- Swing Frame
- Rear Hole Plugs
- Quarter Turn Assemblies
- Touch-Up Spray Paint
- Padlock Adaptor
- Heaters
- Handles
- Literature Pocket
- Swing Panel
- Eclipse Rack Panel
- Replacement Hinge Pins
- Temperature Controls and Accessories
- Type 4 Hardware Kits
- Ground Wire Kits



| Part No. (ANSI 61 Gray) | Part No. (RAL 7035 Light Gray) | Overall Dimensions | | | Door/Body | | Latches | | Opt. Panel | Panel Size | | # Hinges | F |
|----------------------------|-----------------------------------|--------------------|-------|-------|-----------|-----|-----------|----------|------------|------------|---|----------|---|
| | | A | B | C | Gauge | Qty | Type | Part No. | D | E | | | |
| EN4SD12106GY | EN4SD12106LG | 12.00 | 10.00 | 6.00 | 16 | 1 | Qtr Turn | EP1210 | 10.20 | 8.20 | 2 | 6.00 | |
| EN4SD12126GY | EN4SD12126LG | 12.00 | 12.00 | 6.00 | 16 | 1 | Qtr Turn | EP1212 | 10.20 | 10.20 | 2 | 6.00 | |
| EN4SD12246GY | EN4SD12246LG | 12.00 | 24.00 | 6.00 | 16 | 1 | Qtr Turn | EP1224 | 10.20 | 22.20 | 2 | 18.00 | |
| EN4SD16126GY | EN4SD16126LG | 16.00 | 12.00 | 6.00 | 16 | 1 | Qtr Turn | EP1612 | 14.20 | 10.20 | 2 | 10.00 | |
| EN4SD16166GY | EN4SD16166LG | 16.00 | 16.00 | 6.00 | 16 | 1 | Qtr Turn | EP1616 | 14.20 | 14.20 | 2 | 10.00 | |
| EN4SD16206GY | EN4SD16206LG | 16.00 | 20.00 | 6.00 | 16 | 1 | Qtr Turn | EP1620 | 14.20 | 18.20 | 2 | 10.00 | |
| EN4SD20126GY | EN4SD20126LG | 20.00 | 12.00 | 6.00 | 16 | 1 | Qtr Turn | EP2012 | 18.20 | 10.20 | 2 | 14.00 | |
| EN4SD20166GY | EN4SD20166LG | 20.00 | 16.00 | 6.00 | 16 | 1 | Qtr Turn | EP2016 | 18.20 | 14.20 | 2 | 14.00 | |
| EN4SD20206GY | EN4SD20206LG | 20.00 | 20.00 | 6.00 | 16 | 1 | Qtr Turn | EP2020 | 18.20 | 18.20 | 2 | 14.00 | |
| EN4SD20246GY | EN4SD20246LG | 20.00 | 24.00 | 6.00 | 16 | 1 | Qtr Turn | EP2024 | 22.20 | 10.20 | 2 | 14.00 | |
| EN4SD24126GY | EN4SD24126LG | 24.00 | 12.00 | 6.00 | 16 | 1 | Qtr Turn | EP2412 | 22.20 | 10.20 | 2 | 18.00 | |
| EN4SD24166GY | EN4SD24166LG | 24.00 | 16.00 | 6.00 | 16 | 1 | Qtr Turn | EP2416 | 22.20 | 14.20 | 2 | 18.00 | |
| EN4SD24206GY | EN4SD24206LG | 24.00 | 20.00 | 6.00 | 16 | 1 | Qtr Turn | EP2420 | 22.20 | 18.20 | 2 | 18.00 | |
| EN4SD24246GY | EN4SD24246LG | 24.00 | 24.00 | 6.00 | 14 | 2 | Qtr Turn | EP2424 | 22.20 | 22.20 | 2 | 18.00 | |
| EN4SD30166GY | EN4SD30166LG | 30.00 | 16.00 | 6.00 | 14 | 2 | Qtr Turn | EP3016 | 28.20 | 14.20 | 3 | 12.00 | |
| EN4SD30206GY | EN4SD30206LG | 30.00 | 20.00 | 6.00 | 14 | 2 | Qtr Turn | EP3020 | 28.20 | 18.20 | 3 | 12.00 | |
| EN4SD30246GY | EN4SD30246LG | 30.00 | 24.00 | 6.00 | 14 | 2 | Qtr Turn | EP3024 | 28.20 | 22.20 | 3 | 12.00 | |
| EN4SD36246GY | EN4SD36246LG | 36.00 | 24.00 | 6.00 | 14 | 2 | Qtr Turn | EP3624 | 34.20 | 22.20 | 3 | 15.00 | |
| EN4SD36306GY | EN4SD36306LG | 36.00 | 30.00 | 6.00 | 14 | 2 | Qtr Turn | EP3630 | 34.20 | 28.20 | 3 | 15.00 | |
| EN4SD12248GY | EN4SD12248LG | 12.00 | 24.00 | 8.00 | 16 | 1 | Qtr Turn | EP1224 | 10.20 | 22.20 | 2 | 6.00 | |
| EN4SD16128GY | EN4SD16128LG | 16.00 | 12.00 | 8.00 | 16 | 1 | Qtr Turn | EP1612 | 14.20 | 10.20 | 2 | 10.00 | |
| EN4SD16168GY | EN4SD16168LG | 16.00 | 16.00 | 8.00 | 16 | 1 | Qtr Turn | EP1616 | 14.20 | 14.20 | 2 | 10.00 | |
| EN4SD16208GY | EN4SD16208LG | 16.00 | 20.00 | 8.00 | 16 | 1 | Qtr Turn | EP1620 | 14.20 | 18.20 | 2 | 10.00 | |
| EN4SD20128GY | EN4SD20128LG | 20.00 | 12.00 | 8.00 | 16 | 1 | Qtr Turn | EP2012 | 18.20 | 10.20 | 2 | 14.00 | |
| EN4SD20168GY | EN4SD20168LG | 20.00 | 16.00 | 8.00 | 16 | 1 | Qtr Turn | EP2016 | 18.20 | 14.20 | 2 | 14.00 | |
| EN4SD20208GY | EN4SD20208LG | 20.00 | 20.00 | 8.00 | 16 | 1 | Qtr Turn | EP2020 | 18.20 | 18.20 | 2 | 14.00 | |
| EN4SD20248GY | EN4SD20248LG | 20.00 | 24.00 | 8.00 | 16 | 1 | Qtr Turn | EP2024 | 18.20 | 22.20 | 2 | 14.00 | |
| EN4SD24128GY | EN4SD24128LG | 24.00 | 12.00 | 8.00 | 16 | 1 | Qtr Turn | EP2412 | 22.20 | 10.20 | 2 | 18.00 | |
| EN4SD24168GY | EN4SD24168LG | 24.00 | 16.00 | 8.00 | 16 | 1 | Qtr Turn | EP2416 | 22.20 | 14.20 | 2 | 18.00 | |
| EN4SD24208GY | EN4SD24208LG | 24.00 | 20.00 | 8.00 | 16 | 1 | Qtr Turn | EP2420 | 22.20 | 18.20 | 2 | 18.00 | |
| EN4SD24248GY | EN4SD24248LG | 24.00 | 24.00 | 8.00 | 14 | 2 | Qtr Turn | EP2424 | 22.20 | 22.20 | 2 | 18.00 | |
| EN4SD24308GY | EN4SD24308LG | 24.00 | 30.00 | 8.00 | 14 | 2 | Qtr Turn | EP2430 | 22.20 | 28.20 | 2 | 18.00 | |
| EN4SD30128GY | EN4SD30128LG | 30.00 | 12.00 | 8.00 | 14 | 2 | Qtr Turn | EP3012 | 28.20 | 10.20 | 3 | 12.00 | |
| EN4SD30168GY | EN4SD30168LG | 30.00 | 16.00 | 8.00 | 14 | 2 | Qtr Turn | EP3016 | 28.20 | 14.20 | 3 | 12.00 | |
| EN4SD30208GY | EN4SD30208LG | 30.00 | 20.00 | 8.00 | 14 | 2 | Qtr Turn | EP3020 | 28.20 | 18.20 | 3 | 12.00 | |
| EN4SD30248GY | EN4SD30248LG | 30.00 | 24.00 | 8.00 | 14 | 2 | Qtr Turn | EP3024 | 28.20 | 22.20 | 3 | 12.00 | |
| EN4SD30308GY | EN4SD30308LG | 30.00 | 30.00 | 8.00 | 14 | 2 | Qtr Turn | EP3030 | 28.20 | 28.20 | 3 | 12.00 | |
| EN4SD30368GY | EN4SD30368LG | 30.00 | 36.00 | 8.00 | 14 | 2 | Qtr Turn | EP3036 | 28.20 | 34.20 | 3 | 12.00 | |
| EN4SD36248GY | EN4SD36248LG | 36.00 | 24.00 | 8.00 | 14 | 2 | Qtr Turn | EP3624 | 34.20 | 22.20 | 3 | 15.00 | |
| EN4SD36308GY | EN4SD36308LG | 36.00 | 30.00 | 8.00 | 14 | 2 | Qtr Turn | EP3630 | 34.20 | 28.20 | 3 | 15.00 | |
| EN4SD36368GY | EN4SD36368LG | 36.00 | 36.00 | 8.00 | 14 | 2 | Qtr Turn | EP3636 | 34.20 | 34.20 | 3 | 15.00 | |
| EN4SD42248GY | EN4SD42248LG | 42.00 | 24.00 | 8.00 | 14 | 1 | 3-point | EP4224 | 40.20 | 22.20 | 4 | 12.00 | |
| EN4SD42308GY | EN4SD42308LG | 42.00 | 30.00 | 8.00 | 14 | 1 | 3-point | EP4230 | 40.20 | 28.20 | 4 | 12.00 | |
| EN4SD42368GY | EN4SD42368LG | 42.00 | 36.00 | 8.00 | 14 | 1 | 3-point | EP4236 | 40.20 | 34.20 | 4 | 12.00 | |
| EN4SD48248GY | EN4SD48248LG | 48.00 | 24.00 | 8.00 | 14 | 1 | 3-point | EP4824 | 46.20 | 22.20 | 4 | 14.00 | |
| EN4SD48308GY | EN4SD48308LG | 48.00 | 30.00 | 8.00 | 14 | 1 | 3-point | EP4830 | 46.20 | 28.20 | 4 | 14.00 | |
| EN4SD48368GY | EN4SD48368LG | 48.00 | 36.00 | 8.00 | 14 | 1 | 3-point | EP4836 | 46.20 | 34.20 | 4 | 14.00 | |
| EN4SD60368GY | EN4SD60368LG | 60.00 | 36.00 | 8.00 | 14 | 1 | 3-point | EP6036 | 58.20 | 34.20 | 4 | 18.00 | |
| EN4SD161210GY | EN4SD161210LG | 16.00 | 12.00 | 10.00 | 16 | 1 | Qtr. Turn | EP1612 | 14.20 | 10.20 | 2 | 10.00 | |
| EN4SD161610GY | EN4SD161610LG | 16.00 | 16.00 | 10.00 | 16 | 1 | Qtr. Turn | EP1616 | 14.20 | 14.20 | 2 | 10.00 | |
| EN4SD162010GY | EN4SD162010LG | 16.00 | 20.00 | 10.00 | 16 | 1 | Qtr. Turn | EP1620 | 14.20 | 18.20 | 2 | 10.00 | |
| EN4SD201610GY | EN4SD201610LG | 20.00 | 16.00 | 10.00 | 16 | 1 | Qtr. Turn | EP2016 | 18.20 | 14.20 | 2 | 14.00 | |
| EN4SD202010GY | EN4SD202010LG | 20.00 | 20.00 | 10.00 | 16 | 1 | Qtr. Turn | EP2020 | 18.20 | 18.20 | 2 | 14.00 | |
| EN4SD202410GY | EN4SD202410LG | 20.00 | 24.00 | 10.00 | 16 | 1 | Qtr. Turn | EP2024 | 18.20 | 22.20 | 2 | 14.00 | |
| EN4SD241210GY | EN4SD241210LG | 24.00 | 12.00 | 10.00 | 16 | 1 | Qtr Turn | EP2412 | 22.20 | 10.20 | 2 | 18.00 | |

| Part No. (ANSI 61 Gray) | Part No. (RAL 7035 Light Gray) | Overall Dimensions | | | Door/Body | | Latches | | Opt. Panel | Panel Size | | |
|----------------------------|-----------------------------------|--------------------|-------|-------|-----------|-----|----------------------|----------|------------|------------|----------|-------|
| | | A | B | C | Gauge | Qty | Type | Part No. | D | E | # Hinges | F |
| EN4SD241610GY | EN4SD241610LG | 24.00 | 16.00 | 10.00 | 16 | 1 | Qtr. Turn | EP2416 | 22.20 | 14.20 | 2 | 18.00 |
| EN4SD242010GY | EN4SD242010LG | 24.00 | 20.00 | 10.00 | 16 | 1 | Qtr. Turn | EP2420 | 22.20 | 18.20 | 2 | 18.00 |
| EN4SD242410GY | EN4SD242410LG | 24.00 | 24.00 | 10.00 | 14 | 2 | Qtr. Turn | EP2424 | 22.20 | 22.20 | 2 | 18.00 |
| EN4SD243010GY | EN4SD243010LG | 24.00 | 30.00 | 10.00 | 14 | 2 | Qtr. Turn | EP2430 | 22.20 | 28.20 | 2 | 18.00 |
| EN4SD302010GY | EN4SD302010LG | 30.00 | 20.00 | 10.00 | 14 | 2 | Qtr. Turn | EP3020 | 28.20 | 18.20 | 3 | 12.00 |
| EN4SD302410GY | EN4SD302410LG | 30.00 | 24.00 | 10.00 | 14 | 2 | Qtr. Turn | EP3024 | 28.20 | 22.20 | 3 | 12.00 |
| EN4SD303010GY | EN4SD303010LG | 30.00 | 30.00 | 10.00 | 14 | 2 | Qtr. Turn | EP3030 | 28.20 | 28.20 | 3 | 12.00 |
| EN4SD362410GY | EN4SD362410LG | 36.00 | 24.00 | 10.00 | 14 | 2 | Qtr. Turn | EP3624 | 34.20 | 22.20 | 3 | 15.00 |
| EN4SD363010GY | EN4SD363010LG | 36.00 | 30.00 | 10.00 | 14 | 2 | Qtr. Turn | EP3630 | 34.20 | 28.20 | 3 | 15.00 |
| EN4SD363610GY | EN4SD363610LG | 36.00 | 36.00 | 10.00 | 14 | 2 | Qtr. Turn | EP3636 | 34.20 | 34.20 | 3 | 15.00 |
| EN4SD422410GY | EN4SD422410LG | 42.00 | 24.00 | 10.00 | 14 | 1 | 3-point | EP4224 | 40.20 | 22.20 | 4 | 12.00 |
| EN4SD423010GY | EN4SD423010LG | 42.00 | 30.00 | 10.00 | 14 | 1 | 3-point | EP4230 | 40.20 | 28.20 | 4 | 12.00 |
| EN4SD423610GY | EN4SD423610LG | 42.00 | 36.00 | 10.00 | 14 | 1 | 3-point | EP4236 | 40.20 | 34.20 | 4 | 12.00 |
| EN4SD482410GY | EN4SD482410LG | 48.00 | 24.00 | 10.00 | 14 | 1 | 3-point | EP4824 | 46.20 | 22.20 | 4 | 14.00 |
| EN4SD483010GY | EN4SD483010LG | 48.00 | 30.00 | 10.00 | 14 | 1 | 3-point | EP4830 | 46.20 | 28.20 | 4 | 14.00 |
| EN4SD483610GY | EN4SD483610LG | 48.00 | 36.00 | 10.00 | 14 | 1 | 3-point | EP4836 | 46.20 | 34.20 | 4 | 14.00 |
| EN4SD603610GY | EN4SD603610LG | 60.00 | 36.00 | 10.00 | 14 | 1 | 3-point | EP6036 | 58.20 | 34.20 | 4 | 18.00 |
| EN4SD201612GY | EN4SD201612LG | 20.00 | 16.00 | 12.00 | 16 | 1 | Qtr Turn | EP2016 | 18.20 | 14.20 | 2 | 14.00 |
| EN4SD202012GY | EN4SD202012LG | 20.00 | 20.00 | 12.00 | 16 | 1 | Qtr Turn | EP2020 | 18.20 | 18.20 | 2 | 14.00 |
| EN4SD242012GY | EN4SD242012LG | 24.00 | 20.00 | 12.00 | 16 | 1 | Qtr Turn | EP2420 | 22.20 | 18.20 | 2 | 18.00 |
| EN4SD242412GY | EN4SD242412LG | 24.00 | 24.00 | 12.00 | 14 | 2 | Qtr Turn | EP2424 | 22.20 | 22.20 | 2 | 18.00 |
| EN4SD243012GY | EN4SD243012LG | 24.00 | 30.00 | 12.00 | 14 | 2 | Qtr Turn | EP2430 | 22.20 | 28.20 | 2 | 18.00 |
| EN4SD302412GY | EN4SD302412LG | 30.00 | 24.00 | 12.00 | 14 | 2 | Qtr Turn | EP3024 | 28.20 | 22.20 | 3 | 12.00 |
| EN4SD303012GY | EN4SD303012LG | 30.00 | 30.00 | 12.00 | 14 | 2 | Qtr Turn | EP3030 | 28.20 | 28.20 | 3 | 12.00 |
| EN4SD362412GY | EN4SD362412LG | 36.00 | 24.00 | 12.00 | 14 | 2 | Qtr Turn | EP3624 | 34.20 | 22.20 | 3 | 15.00 |
| EN4SD363012GY | EN4SD363012LG | 36.00 | 30.00 | 12.00 | 14 | 2 | Qtr Turn | EP3630 | 34.20 | 28.20 | 3 | 15.00 |
| EN4SD363612GY | EN4SD363612LG | 36.00 | 36.00 | 12.00 | 14 | 2 | Qtr Turn | EP3636 | 34.20 | 34.20 | 3 | 15.00 |
| EN4SD423012GY | EN4SD423012LG | 42.00 | 30.00 | 12.00 | 14 | 1 | 3-point | EP4230 | 40.20 | 28.20 | 4 | 12.00 |
| EN4SD423612GY | EN4SD423612LG | 42.00 | 36.00 | 12.00 | 14 | 1 | 3-point | EP4236 | 40.20 | 34.20 | 4 | 12.00 |
| EN4SD482412GY | EN4SD482412LG | 48.00 | 24.00 | 12.00 | 14 | 1 | 3-point | EP4824 | 46.20 | 22.20 | 4 | 14.00 |
| EN4SD483612GY | EN4SD483612LG | 48.00 | 36.00 | 12.00 | 14 | 1 | 3-point | EP4836 | 46.20 | 34.20 | 4 | 14.00 |
| EN4SD603612GY | EN4SD603612LG | 60.00 | 36.00 | 12.00 | 14 | 1 | 3-point | EP6036 | 58.20 | 34.20 | 4 | 18.00 |
| EN4SD723012GY | EN4SD723012LG | 72.00 | 30.00 | 12.00 | 14 | 2 | Qtr Turn, 5-point | EP7230 | 70.20 | 28.20 | 5 | 16.50 |
| EN4SD723612GY | EN4SD723612LG | 72.00 | 36.00 | 12.00 | 14 | 2 | Qtr Turn, 5-point | EP7236 | 70.20 | 34.20 | 5 | 16.50 |
| EN4SD242016GY | EN4SD242016LG | 24.00 | 20.00 | 16.00 | 16 | 1 | Qtr Turn | EP2420 | 22.20 | 18.20 | 2 | 18.00 |
| EN4SD242416GY | EN4SD242416LG | 24.00 | 24.00 | 16.00 | 14 | 2 | Qtr Turn | EP2424 | 22.20 | 22.20 | 2 | 18.00 |
| EN4SD302416GY | EN4SD302416LG | 30.00 | 24.00 | 16.00 | 14 | 2 | Qtr Turn | EP3024 | 28.20 | 22.20 | 3 | 12.00 |
| EN4SD362416GY | EN4SD362416LG | 36.00 | 24.00 | 16.00 | 14 | 2 | Qtr Turn | EP3624 | 34.20 | 22.20 | 3 | 15.00 |
| EN4SD363016GY | EN4SD363016LG | 36.00 | 30.00 | 16.00 | 14 | 2 | Qtr Turn | EP3630 | 34.20 | 28.20 | 3 | 15.00 |
| EN4SD363616GY | EN4SD363616LG | 36.00 | 36.00 | 16.00 | 14 | 2 | Qtr Turn | EP3636 | 34.20 | 34.20 | 3 | 15.00 |
| EN4SD423016GY | EN4SD423016LG | 42.00 | 30.00 | 16.00 | 14 | 1 | 3-point | EP4230 | 40.20 | 28.20 | 4 | 12.00 |
| EN4SD423616GY | EN4SD423616LG | 42.00 | 36.00 | 16.00 | 14 | 1 | 3-point | EP4236 | 40.20 | 34.20 | 4 | 12.00 |
| EN4SD483016GY | EN4SD483016LG | 48.00 | 30.00 | 16.00 | 14 | 1 | 3-point | EP4830 | 46.20 | 28.20 | 4 | 14.00 |
| EN4SD483616GY | EN4SD483616LG | 48.00 | 36.00 | 16.00 | 14 | 1 | 3-point | EP4836 | 46.20 | 34.20 | 4 | 14.00 |
| EN4SD603616GY | EN4SD603616LG | 60.00 | 36.00 | 16.00 | 14 | 1 | 3-point | EP6036 | 58.20 | 34.20 | 4 | 18.00 |
| EN4SD723016GY | EN4SD723016LG | 72.00 | 30.00 | 16.00 | 14 | 2 | Qtr Turn, 5-point | EP7230 | 70.20 | 28.20 | 5 | 16.50 |
| EN4SD723616GY | EN4SD723616LG | 72.00 | 36.00 | 16.00 | 14 | 2 | Qtr Turn, 5-point | EP7236 | 70.20 | 34.20 | 5 | 16.50 |
| EN4SD242420GY | EN4SD242420LG | 24.00 | 24.00 | 20.00 | 14 | 2 | Qtr Turn | EP2424 | 22.20 | 22.20 | 2 | 18.00 |
| EN4SD302420GY | EN4SD302420LG | 30.00 | 24.00 | 20.00 | 14 | 2 | Qtr Turn | EP3024 | 28.20 | 22.20 | 3 | 12.00 |
| EN4SD363020GY | EN4SD363020LG | 36.00 | 30.00 | 20.00 | 14 | 2 | Qtr Turn | EP3630 | 34.20 | 28.20 | 3 | 15.00 |
| EN4SD483620GY | EN4SD483620LG | 48.00 | 36.00 | 20.00 | 14 | 1 | 3-point | EP4836 | 46.20 | 34.20 | 4 | 14.00 |
| EN4SD603620GY | EN4SD603620LG | 60.00 | 36.00 | 20.00 | 14 | 1 | 3-point | EP6036 | 58.20 | 34.20 | 4 | 18.00 |

| Part No. (ANSI 61 Gray) | Part No. (RAL 7035 Light Gray) | Overall Dimensions | | | Door/Body | Latches | | Opt. Panel | Panel Size | | | F |
|----------------------------|-----------------------------------|--------------------|-------|-------|-----------|---------|----------------------|------------|------------|-------|----------|-------|
| | | A | B | C | Gauge | Qty | Type | Part No. | D | E | # Hinges | |
| EN4SD723020GY | EN4SD723020LG | 72.00 | 30.00 | 20.00 | 14 | 2 | Qtr Turn, 5-point | EP7230 | 70.20 | 28.20 | 5 | 16.50 |
| EN4SD302424GY | EN4SD302424LG | 30.00 | 24.00 | 24.00 | 14 | 2 | Qtr Turn | EP3024 | 28.20 | 22.20 | 3 | 12.00 |
| EN4SD723024GY | EN4SD723024LG | 72.00 | 30.00 | 24.00 | 14 | 2 | Qtr Turn, 5-point | EP7230 | 70.20 | 28.20 | 5 | 16.50 |

Data subject to change without notice

© 2018. Hammond Manufacturing Ltd. All rights reserved.