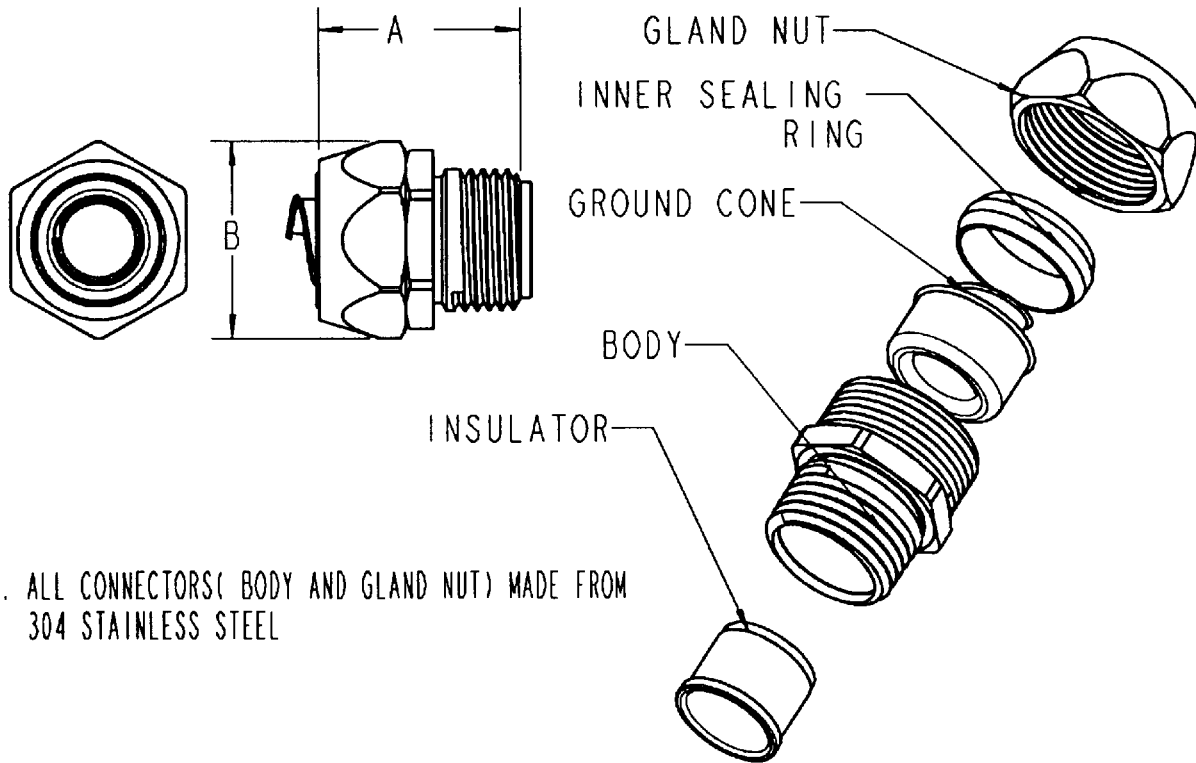




T&B Fittings



1. ALL CONNECTORS (BODY AND GLAND NUT) MADE FROM 304 STAINLESS STEEL

CAT. No	SIZE	DESCRIPTION	DIM "A"	DIM "B"
5331SST	3/8"	LIQUID TIGHT INSULATED CONNECTOR	1.360 (34.54)	1.02 (25.91)
5332SST	1/2"	LIQUID TIGHT INSULATED CONNECTOR	1.360 (34.54)	1.18 (29.97)
5333SST	3/4"	LIQUID TIGHT INSULATED CONNECTOR	1.388 (35.26)	1.37 (34.80)
5334SST	1.0"	LIQUID TIGHT INSULATED CONNECTOR	1.562 (39.67)	1.77 (44.96)
5335SST	1 1/4"	LIQUID TIGHT INSULATED CONNECTOR	1.720 (43.69)	2.12 (53.85)
5336SST	1 1/2"	LIQUID TIGHT INSULATED CONNECTOR	2.020 (51.31)	2.48 (62.99)
5337SST	2.0"	LIQUID TIGHT INSULATED CONNECTOR	2.335 (59.31)	3.04 (77.22)

GENERAL NOTES

1. ALL DIMENSIONS ARE FOR REFERENCE ONLY.
2. DIMENSIONS IN BRACKETS () ARE IN METRIC UNITS.

REVISIONS

SEE ERN (****) FOR APPROVAL SIGNATURES & RELEASE DATE.
PROJECT NO: ****

Thomas & Betts
www.tsb.com

DESCRIPTION:

ASS'Y DETAIL FOR LIQUID TIGHT INSULATED CONNECTOR

ORIGINAL PROJECT NO / (ERN NO)

SHEET NO:

REV. NO:

DRAWING NO:

RD65583 / (2005808)

1 OF 1

-

WSD-000171