



180, 3^e Avenue, L'Islet, Quebec, G0R 2C0 CANADA
Tél. : (418) 247-3947, 1-800-463-7043, Fax : (418) 247-7801
www.ouellet.com

INSTALLATION INSTRUCTIONS "OCT" Series

WARNING

When using electrical appliances, basic precautions should always be taken to reduce the risk of fire, electrical shock and injury, including the following.

Read carefully these instructions before installation, operation of the heater. Failure to adhere to the instructions could result in fire, electric shock, serious personal injury, and death or property damage. Review frequently for continuing safe operation and instruction of future users, if necessary.

IMPORTANT INSTRUCTIONS

- 1- Read all instructions before installing or using this heater.
- 2- This heater is hot when in use. To avoid burns, do not let bare skin touch hot surfaces. Keep combustible materials, like furniture, pillows, bedding, papers, clothes, and curtains at least 36 in. (915 mm) from the front of the heater and away from the sides.
- 3- Extreme caution is necessary when any heater is used by or near children or invalids and whenever the heater is left operating and unattended.
- 4- Do not operate any heater after it malfunctions. Disconnect power at service panel and have heater inspected by a reputable electrician before reusing.
- 5- Do not use outdoors.
- 6- To disconnect heater, turn off power to heater circuit at main disconnect panel.
- 7- Do not insert or allow foreign objects to enter any exhaust opening as this may cause an electric shock or fire, or damage the heater.
- 8- Do not block air intakes or exhaust in any way whatsoever.
- 9- This heater has hot and arcing or sparking parts inside. Do not use it in areas where gasoline, paint, or flammable liquids are used or stored.
- 10- Use this heater only as described in this manual. Any other use not recommended by the manufacturer may cause fire, electric shock, or injury.
- 11- **AMERICAN VERSION ONLY:** This heater includes a visual alarm to warn that parts of the heater are getting excessively hot. If the light turns on, immediately turn the heater off and inspect for any objects on or adjacent to the heater that may have blocked the airflow or otherwise caused high temperatures to have occurred. If no obstruction is visible, the heater must be checked by a qualified person. **DO NOT OPERATE THE HEATER WHEN THE ALARM LIGHT IS ON.**
- 12- The thermostat should not be considered an infallible device in cases where maintaining a temperature is considered critical. Examples: Hazardous material storage, computer server room, etc. In these particular cases, it is imperative to add a monitoring system to avoid the consequences of a thermostat failure.

SAVE THESE INSTRUCTIONS

INSTALLATION INSTRUCTIONS

CAUTION: Use supply wires suitable for 90 °C (194 °F).
- For bathroom use, the heater must be installed so that switches and other controls cannot be touched by anyone in the bath or shower.

SURFACE WALL MOUNTING:

- 1- Locate approximately the appropriate place to pull the electrical wiring from the wall. The wire shall be at the right of the wall bracket. Recommended clearance below heater base to floor is 4 in. (102 mm) minimum.
- 2- The 2 arrows on the support mark the center of the heater. Before installing support, align center of heater with support center mark and make sure the heater sides are at least 4 in. (102 mm) from any adjacent walls.
- 3- Lean the bottom of the bracket on the floor. Mark the height desired of the heater bottom using the wholes with inches written on the side. Remove the bracket. Screw partially 2 of the 4 screws supplied in the previous marks. Slide the bracket of the heater over the 2 screws into the keyholes. Mark the holes to screw the top of the bracket. Complete fixing the wall bracket by tightening the 4 screws.
- 4- Untighten wire holder (for Loomex cable) and make electrical connections by having the heater the nearest possible to the electrical wire. For BX cable, remove one of the two knock-outs, install a connector (not furnished) and have 6 to 8 in. (15 to 20 cm) of free wire and get them out of the hole of the wire holder in order to make connections from outside. Do not forget to connect the green wire to ground wire in order to have a safe grounded heater.
- 5- Once connections completed, place bottom T slots in the base part of support, and clip the upper side of the body in the upper U shape part of the support.
- 6- Do not let the excess of the supply wire come in contact with the back of the heater, as well as any other object.
- 7- Put the main power on.

CAUTION:

High temperature, risk of fire, keep electrical cords, drapery, furnishings, and other combustibles at least 36 in. (915 mm) from the front of the heater and away from the sides. To reduce the risk of fire, do not store or use gasoline or other flammable vapors and liquids in the vicinity of the heater.

IMPORTANT

Do not obstruct the front of the heater for at least 48 in. (1200 mm).

OPERATING INSTRUCTIONS

- The heater must be properly installed before it is used.
- Turn the power on at the circuit breaker panel.
- Electronic thermostat: Set the thermostat temperature at the wanted room temperature
- Consult the specific instructions of the thermostat.

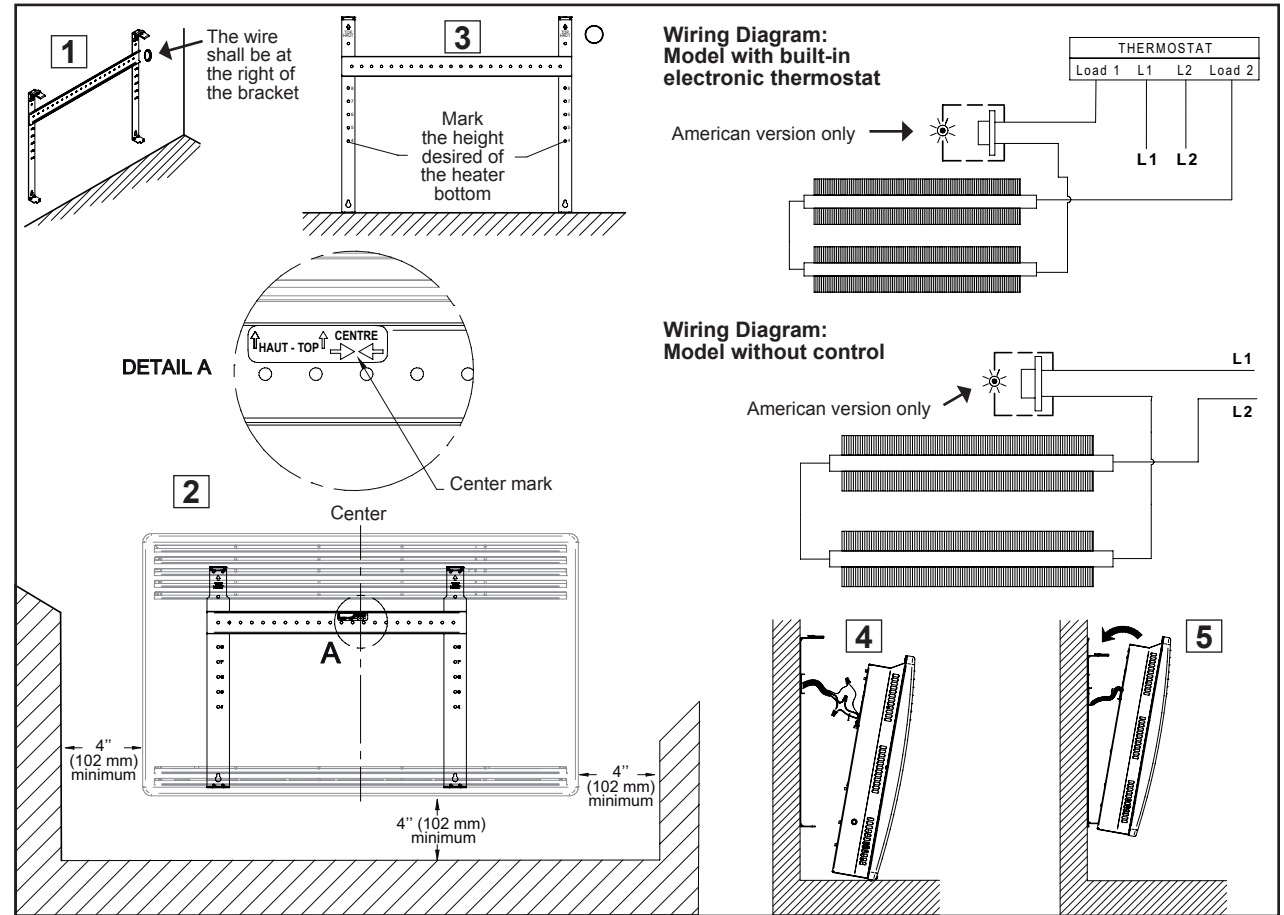
CONTROL:

Model with built-in electronic thermostat:

The electronic thermostat shall keep the room temperature in a range of ± 1 °C (± 2 °F) unless the room is not well insulated or the heater is too or not enough powerful for the room.

Model without control:

Use a proportional pulsing electronic thermostat with a cycle of 15 seconds maximum.



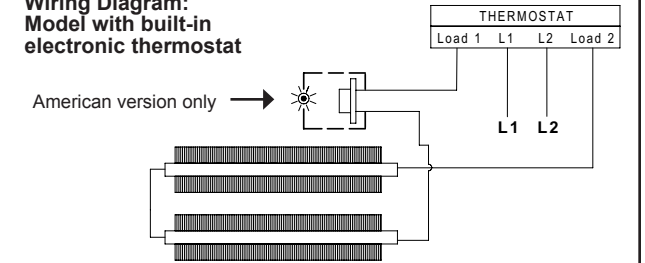
MAINTENANCE INSTRUCTIONS

- 1- Once a year, remove the front panel and use a vacuum cleaner to remove the dust accumulation inside the heater and through openings of the front panel.
- 2- Cleaning should be done while the heater is disconnected from the main service panel. Wait until the housing and heating element cool before performing maintenance.
- 3- Replace the front panel before energizing.
- 4- Any other servicing should be performed by a qualified technician.

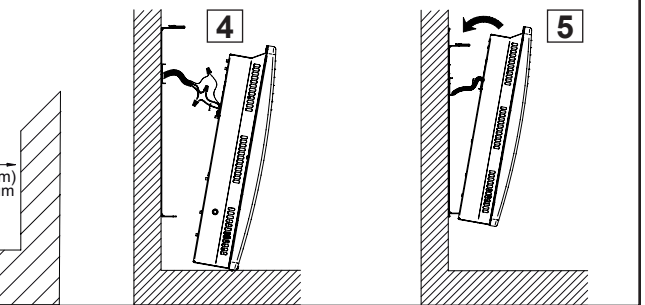
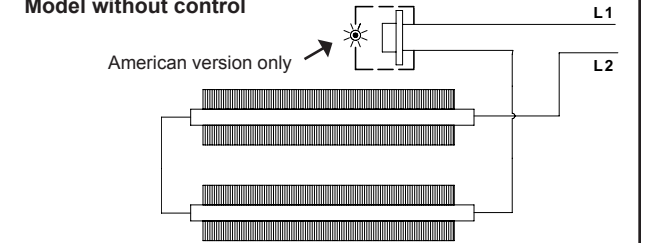
WARRANTY

Please refer to the product sheet at www.ouellet.com.

Wiring Diagram: Model with built-in electronic thermostat



Wiring Diagram: Model without control

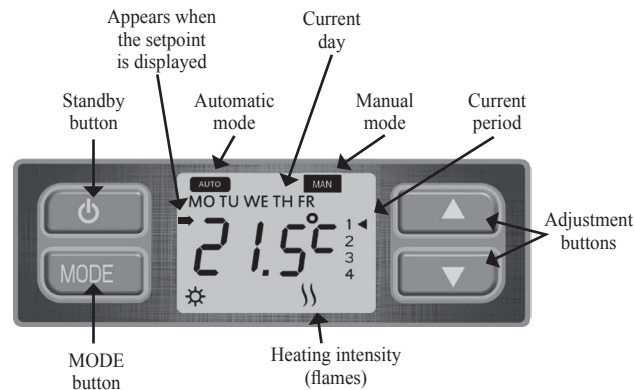




180, 3^e Avenue, L'Islet, Québec, G0R 2C0 CANADA
 Tel. : 418 247-3947, 1 800 463-7043, Fax : 418 247-7801
 www.ouellet.com

USER GUIDE

Programmable Integrated Thermostat



1. First Power On: Setting Day and Time

The first time you power on the thermostat, the screen will flash and prompt you to set the day and time:

- Press the Adjustment buttons to set the day.
- Press the MODE button to access hour setting and the Adjustment buttons to set the hour.
- Press the MODE button to access minute setting and the Adjustment buttons to set the minutes.
- Press the MODE button to exit the menu and access the normal display. The thermostat will then be in automatic mode and run the default heating program.

Note: To change the automatic program, refer to the Configuration Menu section.

2. Heating Modes

Comfort mode (*): Best mode when heating is required. For example, when you are home and want to keep the temperature at a comfortable level.

Economy mode (C): Best mode when less heat is required. For example, when you are sleeping or not at home during the day, this mode lets you save on heating.

Freeze protect mode (⊛): Best mode when very little heat is required. For example, if you spend a week outside the home and a setpoint of only 6 °C to 9.5 °C (43 °F to 48 °F) is required during your absence.

3. Operating Modes

Your programmable thermostat has two operating modes: Automatic and Manual. The configuration menu lets you modify the parameters for both operating modes. When a parameter affects both modes, the AUTO and MAN icons will appear. If the parameter affects only one of the two modes, only the icon for the mode in question will appear.

3.1. Automatic Mode

Once the day and time are set, the thermostat enters into automatic mode. The AUTO icon will appear in the upper left corner of the screen. In this mode, the thermostat will automatically change its temperature settings according to the period of the day (wake, leave, return, and sleep). You can program up to 4 periods per day.

A5-2 Default Program:

Period		Monday to Friday		Saturday and Sunday	
		Start time	Heating mode	Start time	Heating mode
1	Wake	6:00	Comfort default: 21°C (70°F)	6:00	Comfort default: 21°C (70°F)
2	Leave	8:00	Economy default: 17.5°C (63.5°F)	--:--	-
3	Return	18:00	Comfort default: 21°C (70°F)	--:--	-
4	Sleep	22:00	Economy default: 17.5°C (63.5°F)	22:00	Economy default: 17.5°C (63.5°F)

Temporary Override:

To temporarily override the current setpoint, set the desired value using the Adjustment buttons. The new value will be used until the start of the next period.

3.2. Manual Mode

In this mode, all temperature setting modifications must be made manually.

- Press the MODE button for 2 seconds. The MAN icon will appear in the upper right corner of the screen. The thermostat will then be set by default to the comfort heating mode at 21 °C (70 °F).
- Press the Adjustment buttons to adjust the desired comfort heating mode setpoint.
- Press the MODE button to go to the economy heating mode. Press the Adjustment buttons to adjust the desired economy heating mode setpoint.
Note: Economy mode always maintains a minimum differential of 3.5 ° below the comfort mode setpoint.
- Press the MODE button to go to the freeze protect heating mode. Press the Adjustment buttons to adjust the desired freeze protect heating mode setpoint.
Note: To return to automatic mode, press the MODE button for 2 seconds. The AUTO icon will appear in the upper left corner of the screen. The preset program settings will not have been modified by going to manual mode.

4. Configuration Menu

To modify the day and time or configure other thermostat parameters, complete the following steps to access the configuration menu:

- Simultaneously press the 2 Adjustment buttons for 5 seconds to access the configuration menu.
- Use the Adjustment buttons to set the displayed parameter.
- Press the MODE button to go to the next mode.
- Press the Standby button to exit the configuration menu at any time and access the display.

Note: The thermostat will automatically save any changes made and return to its normal display if you do not press any button for 1 minute.

Parameter Order	Parameters and Settings
1	Day MO, TU, WE, TH, FR, SA, SU
2	Hour 00: to 23:
3	Minute :00 to :59

Parameter Order	Parameters and Settings
4	Temperature display format °C or °F (default: °C)
5	Backlight setting L Off or L On (default: L Off) L Off: active for 6 seconds if a button is pressed L On: always active at medium intensity
6	Maximum comfort mode setpoint 13.5 °C to 30 °C (56 °F to 86 °F) (default: 30 °C (86 °F))
7	Minimum comfort mode setpoint 13.5 °C to 30 °C (56 °F to 86 °F) (default: 13.5°C (56 °F))

5. Programmation Menu

To program the thermostat, complete the following steps to access the programming menu:

- Simultaneously press the MODE button and the Adjustment button down for 5 seconds to access the programming menu.
- Use the Adjustment buttons to set the displayed parameter.
- Press the MODE button to go to the next mode.
- Press the Standby button to exit the programming menu at any time and access the display.

Note: The thermostat will automatically save any changes made and return to its normal display if you do not press any button for 1 minute.

Parameter Order	Parameters and Settings
1	Programming method A5-2 or A7 (default: A5-2) A5-2: One program for weekdays (Monday to Friday) and one for the weekend (Saturday and Sunday) A7: A different program for each day of the week
2	Comfort heating mode 13.5 °C to 30 °C (56 °F to 86 °F) (default: 21 °C (70 °F))
3	Economy heating mode 10 °C to 26.5 °C (56 °F to 86 °F) (default: 17.5 °C (63.5 °F)) <i>Note: Economy mode always maintains a minimum differential of 3.5 ° below the comfort mode setpoint.</i>
4	Freeze protect heating mode 6 °C to 9.5 °C (43 °F to 48 °F) (default: 6 °C (43 °F))
5	Automatic program (Period 1, Day 1) – Hour 00: to 23: <i>Note: To erase or skip this period, you can select --:--, appearing after 23:00</i>
6	Automatic program (Period 1, Day 1) – Minute :00 to :59
7	Automatic program – Heating mode Comfort, Economy, or Freeze protect
Press the MODE button and Adjustment buttons to set the hour, minutes, and heating mode for the remaining periods.	

6. Temperature Display

- By default, the thermostat displays the measured ambient temperature.
- To display the setpoint, press one of the Adjustment buttons once. The setpoint will appear for 5 seconds, with a small arrow in the upper left corner of the screen.
- To change the setpoint, press the Adjustment button repeatedly until the desired setpoint is displayed. To confirm the setpoint, wait 5 seconds.
Note: The setpoint change is temporary if the thermostat is in automatic mode.

- Thermostats with proportional control determine the heating intensity necessary for the electric heater to keep the ambient temperature as close to the setpoint as possible. The number of flames corresponds to the heating percentage calculated by the electronic thermostat (25%, 50%, 75%, or 100%).

7. Keypad Lock (Padlock)

This feature eliminates unwanted temperature adjustments and the use of different thermostat modes. Before activating it, make sure you have set the desired setpoint.

- Simultaneously press the Standby and upper Adjustment buttons for 2 seconds.
- The padlock icon appears on the screen to confirm that your keypad is now locked.
- Repeat this procedure to deactivate the feature.

8. Standby

- Press the Standby button for 2 seconds.
- The standby icon displays on the screen to confirm the unit is on standby.
- To return to a heating mode, press the Standby button. The thermostat will then return to the normal display.

Note: When this mode is enabled, the heater will not operate, regardless of the room temperature and setpoint.

WARNING! Standby mode does not de-energize the unit. For maintenance, cut power to the heating system from the electrical panel to avoid any risk of electric shock.

9. Power Outage

If the time is not lost during a power outage, the thermostat will restart in the same mode as before the outage.

If the time is lost and the thermostat was previously in automatic mode, the thermostat will prompt you to set the day and time and then return to automatic mode and run the preset program. Program parameters will not be lost in the event of a power outage. Until the day and time have been changed, the thermostat will run in comfort heating mode at 21 °C (70 °F).

If the thermostat was previously in manual mode, it will return to the last setpoint set by the user as soon as power is restored.

10. Ambient Temperature Offset

The thermostat is factory calibrated for accuracy of ± 0.5 °. However, depending on the installation conditions, the actual ambient temperature in the room may differ from the one displayed. To ensure the ambient temperature is the same as the temperature displayed, use the ambient temperature offset function.

Here are the steps to follow (you must have a thermometer):

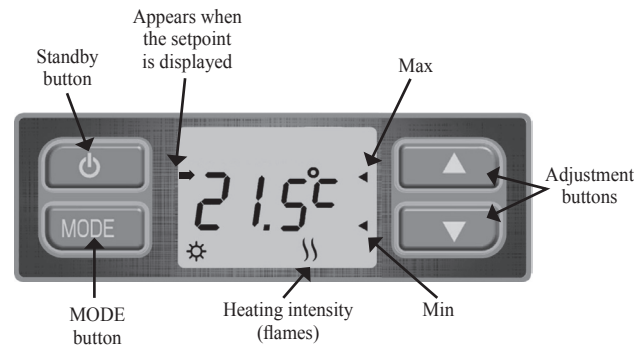
1. Put the heater on standby (see Standby section).
2. Press the MODE button for 2 seconds to access the ambient temperature offset function.
3. Calculate the correction factor (may be negative):

$$TT = \text{Actual room temperature on thermometer}$$

$$TA = \text{Temperature shown on thermostat}$$
 Celsius: $\frac{TT-TA}{2}$ or Fahrenheit: $\frac{TT-TA}{4}$
4. Use the Adjustment buttons to enter the correction factor in increments of 0.5 °.
5. Press the MODE button to exit the ambient temperature offset function.
6. Press the Standby button to return to the normal display. The thermostat will now take the correction factor into account and the temperature displayed on the thermostat should now be the same as the one displayed on the room thermometer.

USER GUIDE

Non Programmable Integrated Thermostat



1. First Power On

The thermostat will be set to the default comfort setting.

2. Heating Modes

Comfort mode (*): Best mode when heating is required. So 13.5 °C to 30 °C (56 °F to 86 °F) and default: 21 °C (70°F).

For example, when you are home and want to keep the temperature at a comfortable level.

Economy mode (C): Best mode when less heat is required.

So 10 °C to 26.5 °C (56 °F to 86 °F) and default: 17.5 °C (63.5 °F). For example, when you are sleeping or not at home during the day, this mode lets you save on heating.

Note: Economy mode always maintains a minimum differential of 3.5 ° below the comfort mode setpoint.

Freeze protect mode (#): Best mode when very little heat is required. So 6 °C to 9.5 °C (43 °F to 48 °F) and default: 6 °C (43 °F).

For example, if you spend a week outside the home and a setpoint of only 6 °C to 9.5 °C (43 °F to 48 °F) is required during your absence.

3. Configuration Menu

To configure other thermostat parameters, complete the following steps to access the configuration menu:

- Simultaneously press the 2 Adjustment buttons for 5 seconds to access the configuration menu.
- Use the Adjustment buttons to set the displayed parameter.
- Press the MODE button to go to the next mode.
- Press the Standby button to exit the configuration menu at any time and access the display.

Note: The thermostat will automatically save any changes made and return to its normal display if you do not press any button for 1 minute.

Parameter Order	Parameters and Settings
1	Temperature display format °C or °F (default: °C)
2	Backlight setting L Off or L On (default: L Off) L Off: active for 6 seconds if a button is pressed L On: always active at medium intensity
3	Maximum comfort mode setpoint 13.5 °C to 30 °C (56 °F to 86 °F) (default: 30 °C (86 °F))
4	Minimum comfort mode setpoint 13.5 °C to 30 °C (56 °F to 86 °F) (default: 13.5 °C (56 °F))

4. Temperature Display

- By default, the thermostat displays the measured ambient temperature.
- To display the setpoint, press one of the Adjustment buttons once. The setpoint will appear for 5 seconds, with a small arrow in the upper left corner of the screen.
- To change the setpoint, press the Adjustment button repeatedly until the desired setpoint is displayed. To confirm the setpoint, wait 5 seconds.
- Thermostats with proportional control determine the heating intensity required for the heater to keep the ambient temperature as close to the setpoint as possible. The number of flames corresponds to the heating percentage calculated by the electronic thermostat (25%, 50%, 75%, or 100%).

5. Keypad Lock (Padlock)

This feature eliminates unwanted temperature adjustments and the use of different thermostat modes. Before activating it, make sure you have set the desired setpoint.

- Simultaneously press the Standby and upper Adjustment buttons for 2 seconds.
- The padlock icon appears on the screen to confirm that your keypad is now locked.
- Repeat this procedure to deactivate the feature.

6. Standby

- Press the Standby button for 2 seconds.
- The standby icon displays on the screen to confirm the unit is on standby.
- To return to a heating mode, press the Standby button. The thermostat will then return to the normal display.

Note: When this mode is enabled, the heater will not operate, regardless of the room temperature and setpoint.

WARNING! Standby mode does not de-energize the unit. For maintenance, cut power to the heating system from the electrical panel to avoid any risk of electric shock.

7. Power Outage

In the event of a power outage, the thermostat will return to the last heating mode set by the user and therefore heat to the preset setpoint.

8. Ambient Temperature Offset

The thermostat is factory calibrated for accuracy of ± 0.5 °.

However, depending on the installation conditions, the actual ambient temperature in the room may differ from the one displayed. To ensure the ambient temperature is the same as the temperature displayed, use the ambient temperature offset function.

Here are the steps to follow (you must have a thermometer):

1. Put the heater on standby (see Standby section).
2. Press the MODE button for 2 seconds to access the ambient temperature offset function.
3. Calculate the correction factor (may be negative):

$$TT = \text{Actual room temperature on thermometer}$$

$$TA = \text{Temperature shown on thermostat}$$

$$\text{Celsius : } \frac{TT-TA}{2} \text{ or Fahrenheit : } \frac{TT-TA}{4}$$
4. Use the Adjustment buttons to enter the correction factor in increments of 0.5 °.
5. Press the MODE button to exit the ambient temperature offset function.
6. Press the Standby button to return to the normal display. The thermostat will now take the correction factor into account and the temperature displayed on the thermostat should now be the same as the one displayed on the room thermometer.