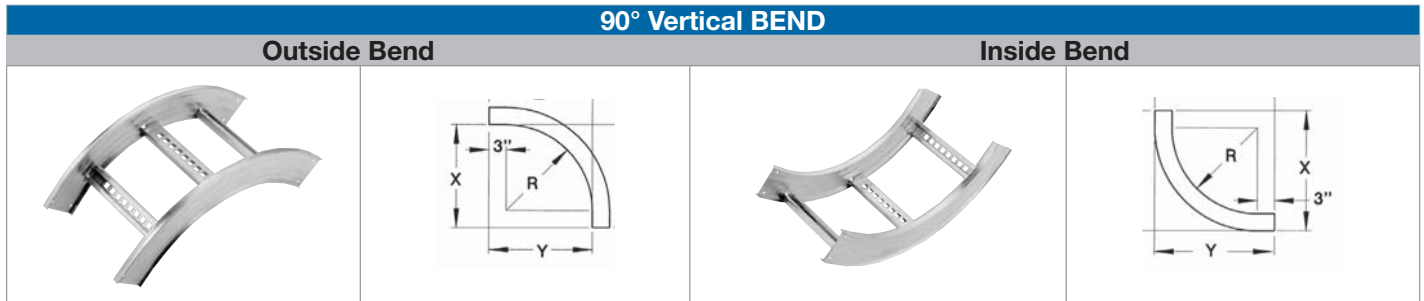


## Fittings

### 90° Vertical Bends

Part Numbering System				
<b>SHF</b>	<b>4</b>	<b>24</b>	<b>L</b>	<b>VI90</b>
Prefix SPF, SHF, SSF	Width Side rail height	Bottom style	Fitting type Angle	Nominal radius

Selection Guide
Prefix: SPF (Pregalv.), SHF (Hot-Dip), SSF (Stainless Steel)
Inside Tray Widths: 6, 9, 12, 18, 24, 30, 36, 42
Angle: 90°
Nominal Radius: 12, 24, 36, 48
Bottom Styles: L- Ladder, V- Ventilated, S- Solid
Side Rail Heights: 3 in., 4 in., 5 in., 6 in., 7 in.



Nominal	Radius	Width	Cat. No.	(+ VO Side Rail)		(+ VI Side Rail)									
				3-5/8 in. – 7 in.		3-1/2 in.		4 in.		5 in.		6 in.		7 in.	
				X	Y	X	Y	X	Y	X	Y	X	Y	X	Y
<b>12</b>	6		Prefix(†)-06-(*)-(+)90-12												
	9		Prefix(†)-09-(*)-(+)90-12												
	12		Prefix(†)-12-(*)-(+)90-12												
	18		Prefix(†)-18-(*)-(+)90-12	12	12	15-5/8	15-5/8	16-3/6	16-3/6	17-3/16	17-3/16	18-3/16	18-3/16	19-3/16	19-3/16
	24		Prefix(†)-24-(*)-(+)90-12												
	30		Prefix(†)-30-(*)-(+)90-12												
	36		Prefix(†)-36-(*)-(+)90-12												
<b>24</b>	6		Prefix(†)-06-(*)-(+)90-24												
	9		Prefix(†)-09-(*)-(+)90-24												
	12		Prefix(†)-12-(*)-(+)90-24												
	18		Prefix(†)-18-(*)-(+)90-24	24	24	27-5/8	27-5/8	28-3/16	28-3/16	29-3/16	29-3/16	30-3/16	30-3/16	31-3/16	31-3/16
	24		Prefix(†)-24-(*)-(+)90-24												
	30		Prefix(†)-30-(*)-(+)90-24												
	36		Prefix(†)-36-(*)-(+)90-24												
<b>36</b>	6		Prefix(†)-06-(*)-(+)90-36												
	9		Prefix(†)-09-(*)-(+)90-36												
	12		Prefix(†)-12-(*)-(+)90-36												
	18		Prefix(†)-18-(*)-(+)90-36	36	36	39-5/8	39-5/8	40-3/16	40-3/16	41-3/16	41-3/16	42-3/16	42-3/16	43-3/16	43-3/16
	24		Prefix(†)-24-(*)-(+)90-36												
	30		Prefix(†)-30-(*)-(+)90-36												
	36		Prefix(†)-36-(*)-(+)90-36												
<b>48</b>	6		Prefix(†)-06-(*)-(+)90-48												
	9		Prefix(†)-09-(*)-(+)90-48												
	12		Prefix(†)-12-(*)-(+)90-48												
	18		Prefix(†)-18-(*)-(+)90-48	48	48	51-5/8	51-5/8	52-3/16	52-3/16	53-3/16	53-3/16	54-3/16	54-3/16	55-3/16	55-3/16
	24		Prefix(†)-24-(*)-(+)90-48												
	30		Prefix(†)-30-(*)-(+)90-48												
	36		Prefix(†)-36-(*)-(+)90-48												
42		Prefix(†)-42-(*)-(+)90-48													

(†) Insert side rail height. (\*) Insert bottom (+) Insert "VO" for vertical outside or "VI" for vertical inside style to complete CAT. NO. Includes 1 pair of splice plates with hardware.