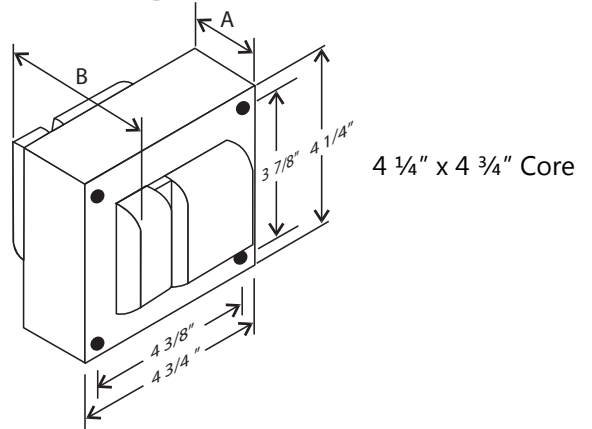


ORDERING INFORMATION

Order code: 10064
 Description: BMH0400/347/480/600/C/CWI/H/K/
 UPC: 69549100640

SPECIFICATIONS

Ballast type: Magnetic metal halide
 Ballast style: Core and coil
 Circuit type: CWI
 ANSI code: M59
 Input voltage (V): 347/480/600
 Input frequency (Hz): 60
 Line volt regulation: $\pm 10\%$
 Line watt regulation: $\pm 10\%$
 Insulation class: H (180°)



Input voltage (V)	Operating current (A)	Open circuit current (A)	Starting current (A)	Rated lamp watts (W)	Input watts (W)	OCV (V)	Dropout voltage (V)	UL 1029 code	Fuse rating (A)	Input current (A)	Power factor	Starting temperature
347	1.40	1.40	0.40	400	462	300	190	D	4	0.19 - 0.33	0.90	-20°F / -30°C
480	1.03	1.03	0.30	400	462	300	260	D	3	0.14 - 0.23	0.90	-20°F / -30°C
600	0.82	0.82	0.23	400	462	300	315	C	3	0.12 - 0.19	0.90	-20°F / -30°C

HIGH POTENTIAL TEST (V)

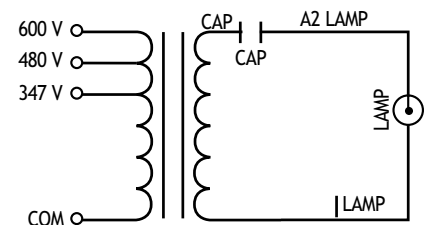
1 minute:	2 000
2 seconds:	2 500
OCV test:	280 - 330
Short circuit:	3.50 - 4.00

BALLAST DIMENSIONS

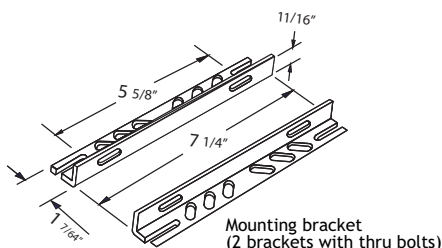
Dimension A:	3.00"
Dimension B:	4.80"
Lead Lengths:	12.00"
Weight (lbs):	18.00

WIRING DIAGRAM

Ground ballast core



BRACKET



CAPACITOR

