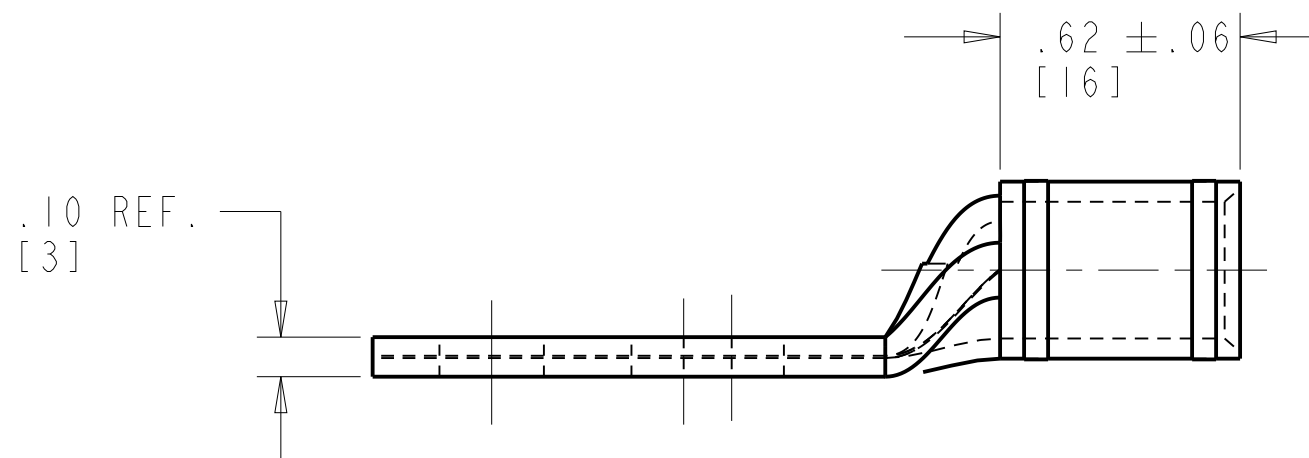
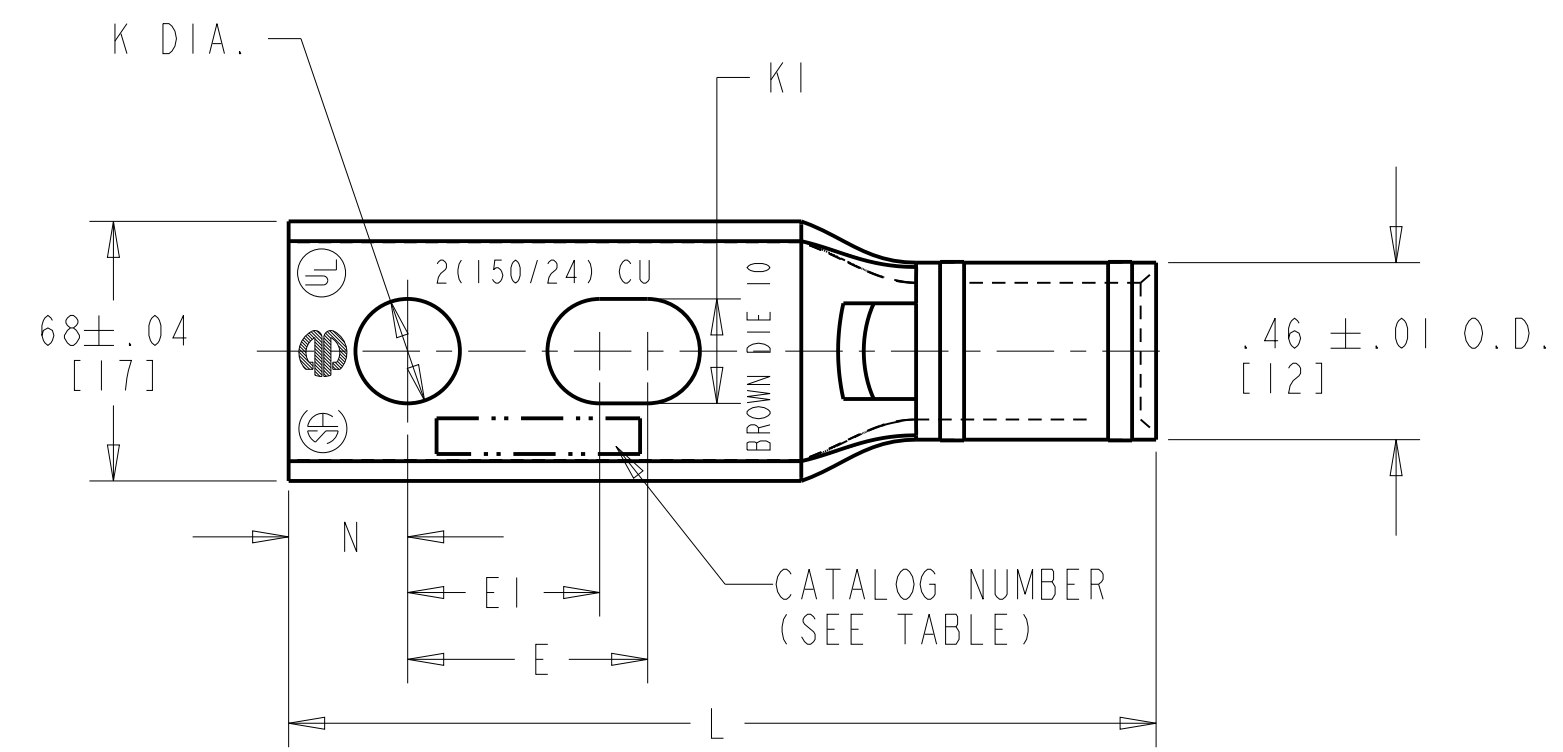


CATALOG NO.	ITEM NO.	BOLT SIZE	CONDUCTOR										INSTALLATION TOOLING (CRIMPS)										
			FLEX	CODE (AWG)	NAVY	E ±.02	E1 ±.02	K DIA. ±.02	K1 ±.02	L ±.09	N ±.03	Z MIN.	DIE INDEX	COLOR CODE	MECHANICAL			HYDRAULIC			DIELESS (# CRIMPS)	WIRE STRIP	
															MD6 MD7-34R OUR840	YIMRTC	YI22CMR	PATMD6 Y500CTHS PAT60018V	Y35, Y750, Y39, BAT750 PAT750	Y46			Y45
YAV2CL2TC14FXSL	10079902	1/4 [M6]	#2 WELD 125/24 150/24	#2 AWG	60	.62 [16]	.50 [13]	.27 [7]	.27 [7]	2.26 [57]	.31 [8]	.32 [8]	10	BROWN	W2CRT X2CRT W2CVT (1)	2 CRIMPS	2 CRIMPS	W2CRT X2CRT W2CVT (1)	U2CRT (1)	U2CRT (1)	U2CRT (1)	MECHANICAL: MY29-11 (1) HYDRAULIC: Y644HSXT (1) PAT644XT-18V Y81KFT	11/16"
YAV2CL2TC38FXSL	10079903	3/8 [M12]				1.00 [25]	.75 [19]	.41 [10]	.41 [10]	2.82 [72]	.41 [10]	.42 [11]											



NOTES:

- MATERIAL: COPPER TUBING.
- FINISH: TIN PLATED.
- CATALOG # PT6515 ADAPTOR IS REQUIRED TO USE "U" DIES IN Y45 SERIES TOOLS.
- CATALOG # PUADP-1 ADAPTOR IS REQUIRED TO USE "U" DIES IN Y46 SERIES TOOLS.
- NAVY CABLE SIZE MAY BE OMITTED ON SOME SIZES BECAUSE OF SPACE LIMITATIONS.
- PERMANENT DIE IN TOOLING.
- DIMENSIONS IN BRACKETS [] ARE IN MILLIMETERS ROUNDED OFF TO THE NEAREST MILLIMETER, UNLESS OTHERWISE SPECIFIED, AND ARE FOR REFERENCE ONLY.

TO ORDER BURNDY® PRODUCTS CALL
 UNITED STATES:
 1-800-346-4175 (LONDONDERRY, NH)
 CANADA:
 1-800-361-6975 (QUEBEC)
 1-800-387-6487 (ALL OTHER PROVINCES)
 FOR PRODUCT INFO: <http://www.burndy.com>

HYLUG™	
ITEM NO: (SEE TABLE)	
CAT. NO: YAV2CL-2TC-FXSL (TABLE)	
DRAWN BY: R. BOISVERT 11/13/07	
CHECKER: P. LAPONIUS 11/14/07	
DSN APPVL: J. MICHAUD 10/30/07	
MFG APPVL: --	
QA APPVL: J. BRODEUR 11/17/07	
MKT APPVL: J. SYLVIA 09/14/07	
PROD FAM: --	
PROJECT #: --	
DOCUMENT TYPE: Sales	
REL LEVEL: Released	



REV	DATE	DESCRIPTION	ECO	BY	C' H 'K.
C	03/14/2014 00:00:00 AM	DRAWING RELEASED	35299	RK	MB