



MARCUS

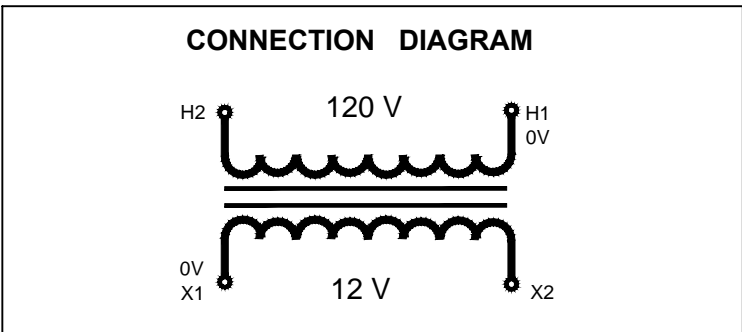
Marcus Transformer LTD
 Phone: 1-800-267-7376
 Fax: 1-866-205-7526
 Email: Info@marcustransformer.com

TECHNICAL DATA

SINGLE PHASE CONTROL TRANSFORMER

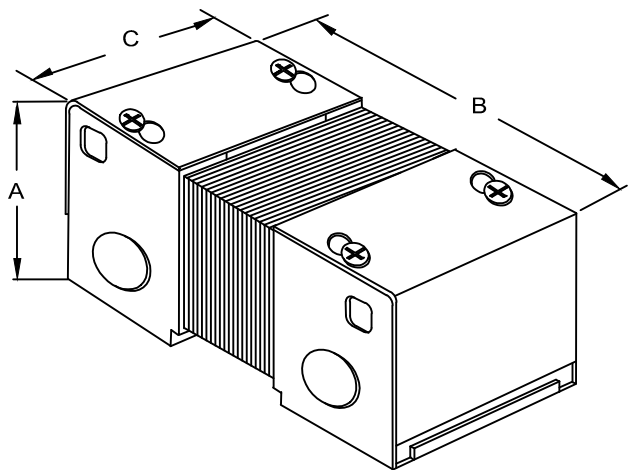
DESCRIPTION

MODEL	MC200A
Type	Enclosed, Indoor application
VA	200
Primary (Volts)	120
Secondary (Volts)	12
Input /Output Amps	1.67 / 16.67
Temperature Rise	95°C
Insulation Class	B (130°C)
Frequency	60Hz
Polarity	additive
Noise level	less than 40DB
Winding	Copper
Approvals	UL listed CSA approved

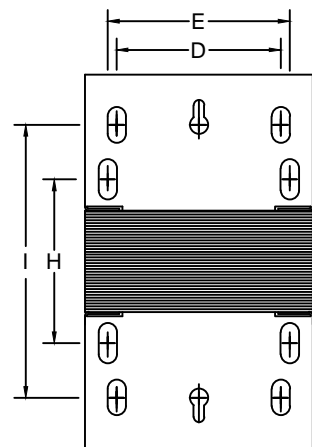
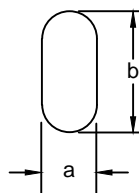


WIRING CONNECTION

PRIMARY :	
VOLTS 120	CONNECT LINES TO : H1-H2
SECONDARY :	
VOLTS 12	CONNECT LINES TO : X1-X2



LETTER	MOUNTING SLOTS INCHES / MM a b
S	0.25 x 0.500 6.4 x 12.7
T	0.25 x 0.625 6.4 x 15.9



DIMENSIONS INCHES / MM

VA	A	B	C	D	E	F	G	H	I	J	K	L	M	SHIP WEIGHT LBS / KG
200	3.45 87.6	6.13 155.7	3.75 95.3	2.25 57.2	3.13 79.5			3.25(T) 82.6	5.00(S) 127.9					7.00 3.2



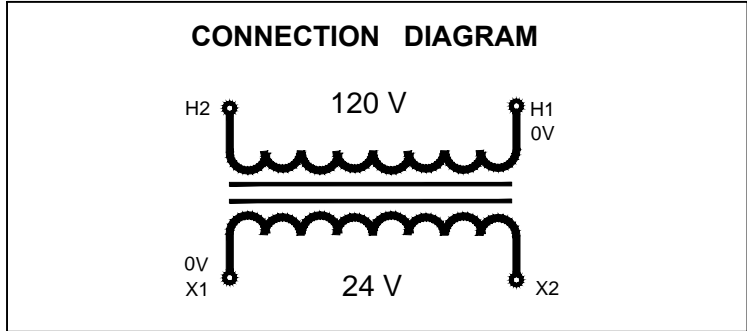
MARCUS

Marcus Transformer LTD
 Phone: 1-800-267-7376
 Fax: 1-866-205-7526
 Email: Info@marcustransformer.com

TECHNICAL DATA

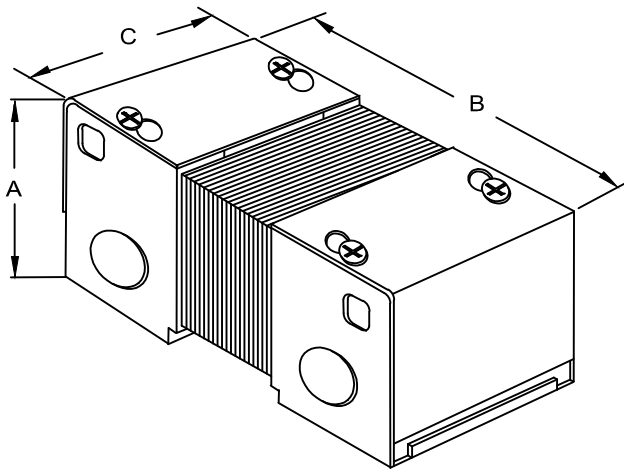
SINGLE PHASE CONTROL TRANSFORMER

DESCRIPTION	
MODEL	MC200B
Type	Enclosed, Indoor application
VA	200
Primary (Volts)	120
Secondary (Volts)	24
Input /Output Amps	1.67 / 8.33
Temperature Rise	95°C
Insulation Class	B (130°C)
Frequency	60Hz
Polarity	additive
Noise level	less than 40DB
Winding	Copper
Approvals	UL listed CSA approved

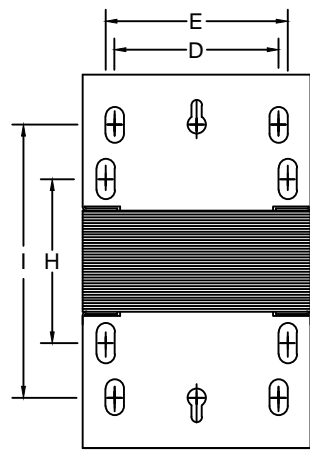
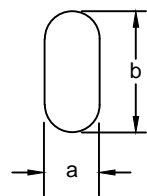


WIRING CONNECTION

PRIMARY :	
VOLTS	CONNECT LINES TO :
120	H1-H2
SECONDARY :	
VOLTS	CONNECT LINES TO :
24	X1-X2



LETTER	MOUNTING SLOTS
	INCHES / MM
	a b
S	0.25 x 0.500 6.4 x 12.7
T	0.25 x 0.625 6.4 x 15.9



DIMENSIONS INCHES / MM

VA	A	B	C	D	E	F	G	H	I	J	K	L	M	SHIP WEIGHT LBS / KG
200	3.45 87.6	6.13 155.7	3.75 95.3	2.25 57.2	3.13 79.5			3.25(T) 82.6	5.00(S) 127.9					7.00 3.2

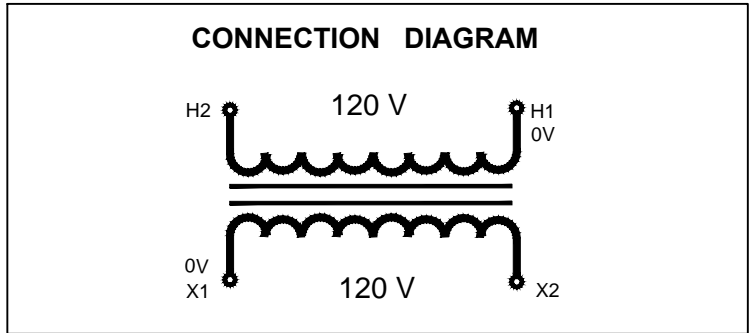


MARCUS

Marcus Transformer LTD
 Phone: 1-800-267-7376
 Fax: 1-866-205-7526
 Email: Info@marcustransformer.com

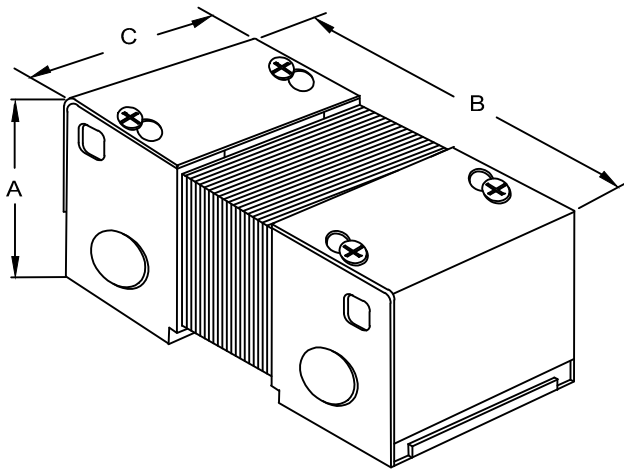
TECHNICAL DATA SINGLE PHASE CONTROL TRANSFORMER

DESCRIPTION	
MODEL	MC200C
Type	Enclosed, Indoor application
VA	200
Primary (Volts)	120
Secondary (Volts)	120
Input /Output Amps	1.67 / 1.67
Temperature Rise	95°C
Insulation Class	B (130°C)
Frequency	60Hz
Polarity	additive
Noise level	less than 40DB
Winding	Copper
Approvals	UL listed CSA approved

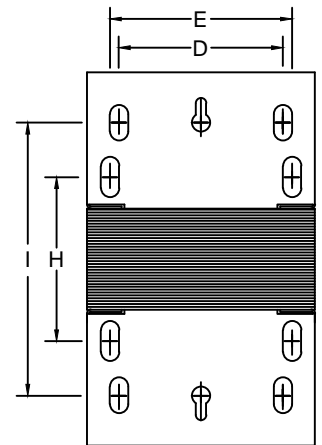
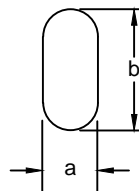


WIRING CONNECTION

PRIMARY :	
VOLTS	CONNECT LINES TO :
120	H1-H2
SECONDARY :	
VOLTS	CONNECT LINES TO :
120	X1-X2



LETTER	MOUNTING SLOTS INCHES / MM
	a b
S	0.25 x 0.500 6.4 x 12.7
T	0.25 x 0.625 6.4 x 15.9



DIMENSIONS INCHES / MM

VA	A	B	C	D	E	F	G	H	I	J	K	L	M	SHIP WEIGHT LBS / KG
200	3.45 87.6	6.13 155.7	3.75 95.3	2.25 57.2	3.13 79.5			3.25(T) 82.6	5.00(S) 127.9					7.00 3.2



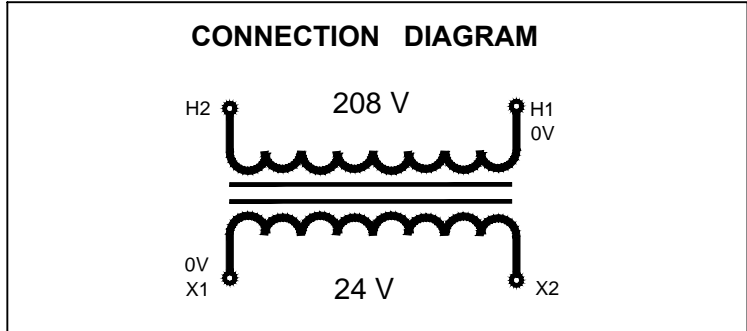
MARCUS

Marcus Transformer LTD
 Phone: 1-800-267-7376
 Fax: 1-866-205-7526
 Email: Info@marcustransformer.com

TECHNICAL DATA

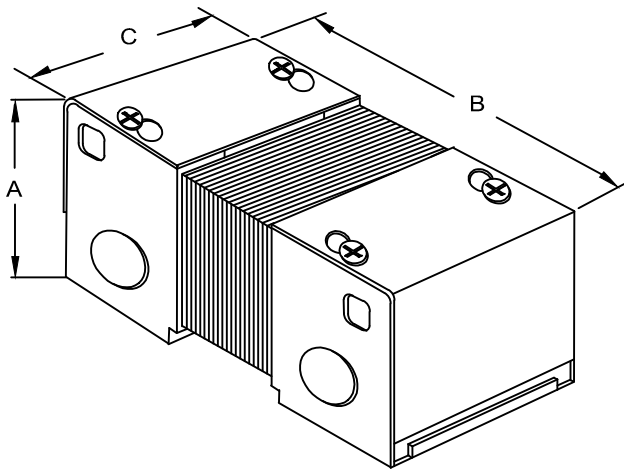
SINGLE PHASE CONTROL TRANSFORMER

DESCRIPTION	
MODEL	MC200D
Type	Enclosed, Indoor application
VA	200
Primary (Volts)	208
Secondary (Volts)	24
Input /Output Amps	0.96 / 8.33
Temperature Rise	95°C
Insulation Class	B (130°C)
Frequency	60Hz
Polarity	additive
Noise level	less than 40DB
Winding	Copper
Approvals	UL listed CSA approved

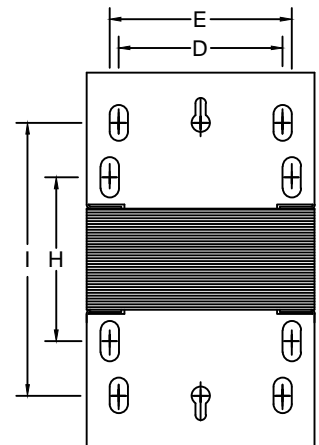
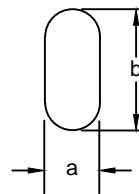


WIRING CONNECTION

PRIMARY :	
VOLTS	CONNECT LINES TO :
208	H1-H2
SECONDARY :	
VOLTS	CONNECT LINES TO :
24	X1-X2



LETTER	MOUNTING SLOTS
	INCHES / MM
	a b
S	0.25 x 0.500 6.4 x 12.7
T	0.25 x 0.625 6.4 x 15.9



DIMENSIONS INCHES / MM

VA	A	B	C	D	E	F	G	H	I	J	K	L	M	SHIP WEIGHT LBS / KG
200	3.45 87.6	6.13 155.7	3.75 95.3	2.25 57.2	3.13 79.5			3.25(T) 82.6	5.00(S) 127.9					7.00 3.2



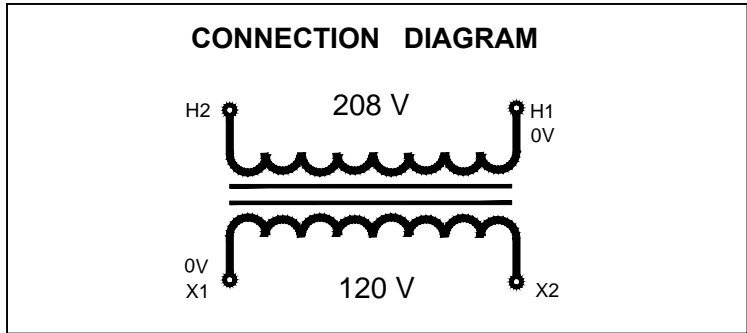
MARCUS

Marcus Transformer LTD
 Phone: 1-800-267-7376
 Fax: 1-866-205-7526
 Email: Info@marcustransformer.com

TECHNICAL DATA

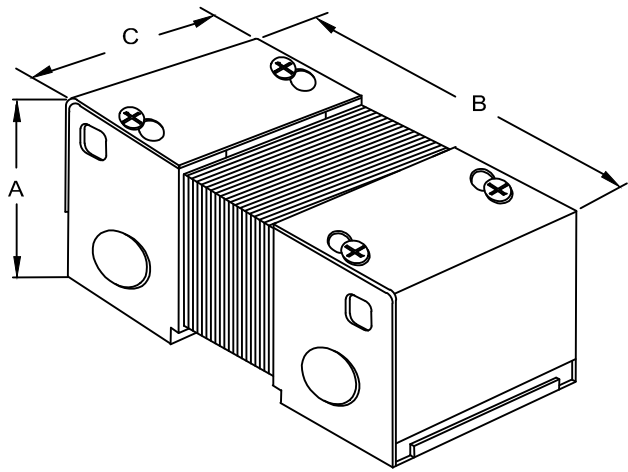
SINGLE PHASE CONTROL TRANSFORMER

DESCRIPTION	
MODEL	MC200E
Type	Enclosed, Indoor application
VA	200
Primary (Volts)	208
Secondary (Volts)	120
Input /Output Amps	0.96 / 1.67
Temperature Rise	95°C
Insulation Class	B (130°C)
Frequency	60Hz
Polarity	additive
Noise level	less than 40DB
Winding	Copper
Approvals	UL listed CSA approved

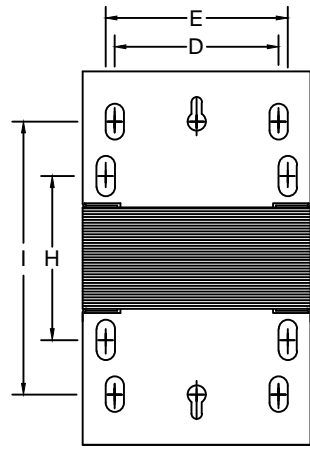
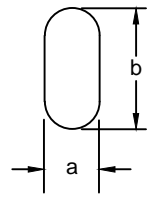


WIRING CONNECTION

PRIMARY :	
VOLTS 208	CONNECT LINES TO : H1-H2
SECONDARY :	
VOLTS 120	CONNECT LINES TO : X1-X2



LETTER	MOUNTING SLOTS INCHES / MM a b
S	0.25 x 0.500 6.4 x 12.7
T	0.25 x 0.625 6.4 x 15.9



DIMENSIONS INCHES / MM

VA	A	B	C	D	E	F	G	H	I	J	K	L	M	SHIP WEIGHT LBS / KG
200	3.45 87.6	6.13 155.7	3.75 95.3	2.25 57.2	3.13 79.5			3.25(T) 82.6	5.00(S) 127.9					7.00 3.2

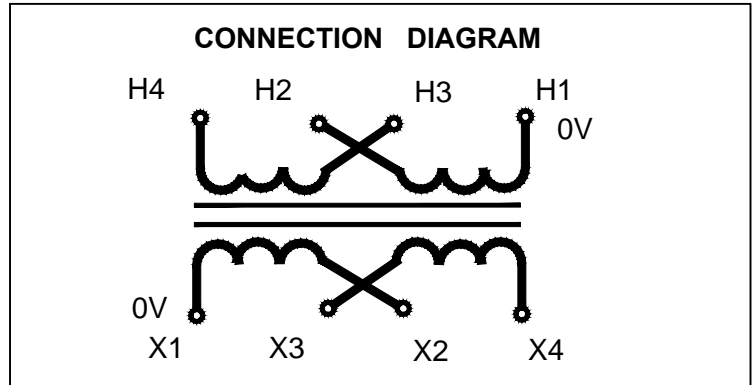


MARCUS

Marcus Transformer LTD
 Phone: 1-800-267-7376
 Fax: 1-866-205-7526
 Email: Info@marcustransformer.com

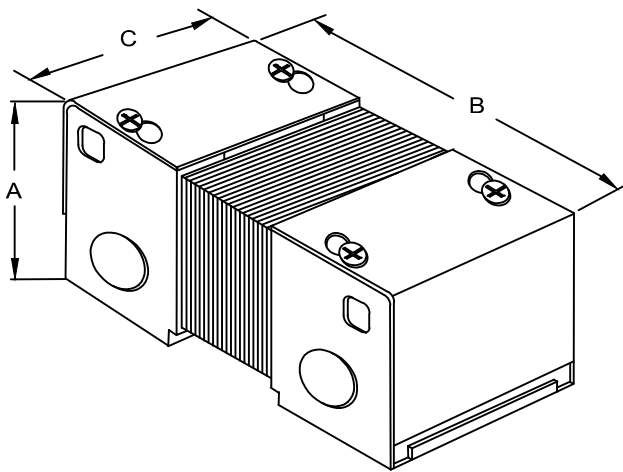
TECHNICAL DATA SINGLE PHASE CONTROL TRANSFORMER

DESCRIPTION	
MODEL	MC200F
Type	Enclosed, Indoor application
VA	200
Primary (Volts)	120 / 240
Secondary (Volts)	12 / 24
Input / Output Amps	1.67 , 0.83 / 16.67 , 8.33
Temperature Rise	95°C
Insulation Class	B (130°C)
Frequency	50 / 60Hz
Polarity	additive
Noise level	less than 40DB
Winding	Copper
Approvals	UL listed CSA approved

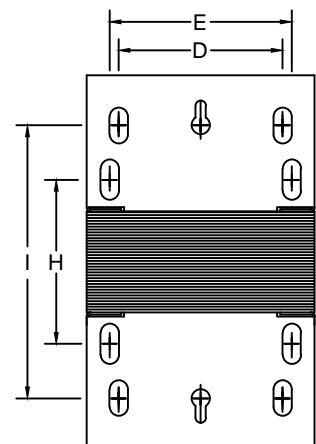
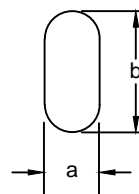


WIRING CONNECTION

PRIMARY :		
VOLTS	INTERCONNECT:	CONNECT LINES TO :
120	H1-H3 AND H2-H4	H1-H4
240	H2-H3	H1-H4
SECONDARY :		
VOLTS	INTERCONNECT:	CONNECT LINES TO :
12	X1-X3 AND X2-X4	X1-X4
24	X2-X3	X1-X4



LETTER	MOUNTING SLOTS INCHES / MM
	a b
S	0.25 x 0.500 6.4 x 12.7
T	0.25 x 0.625 6.4 x 15.9



DIMENSIONS INCHES / MM

VA	A	B	C	D	E	F	G	H	I	J	K	L	M	SHIP WEIGHT LBS / KG
200	3.45 87.6	6.13 155.7	3.75 95.3	2.25 57.2	3.13 79.5			3.25(T) 82.6	5.00(S) 127.9					7.00 3.2



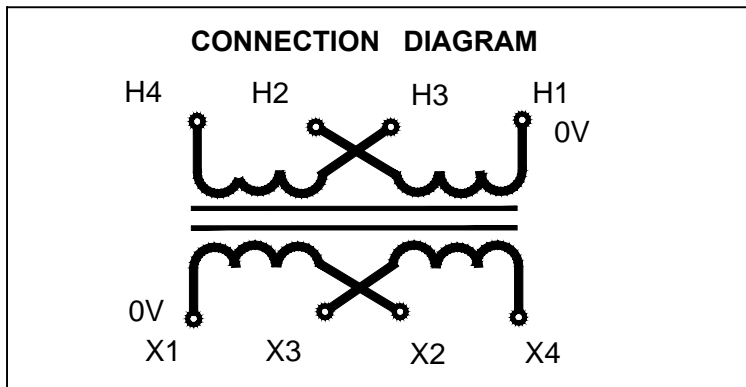
MARCUS

Marcus Transformer LTD
 Phone: 1-800-267-7376
 Fax: 1-866-205-7526
 Email: Info@marcustransformer.com

TECHNICAL DATA

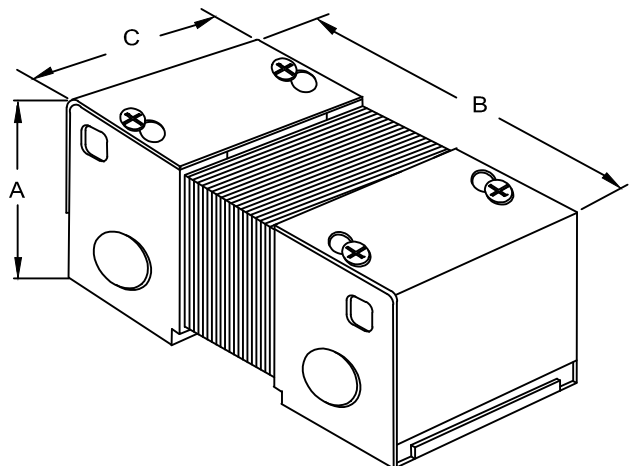
SINGLE PHASE CONTROL TRANSFORMER

DESCRIPTION	
MODEL	MC200G
Type	Enclosed, Indoor application
VA	200
Primary (Volts)	120 / 240
Secondary (Volts)	16 / 32
Input /Output Amps	1.67 , 0.83 / 12.5 , 6.25
Temperature Rise	95°C
Insulation Class	B (130°C)
Frequency	50 / 60Hz
Polarity	additive
Noise level	less than 40DB
Winding	Copper
Approvals	UL listed CSA approved

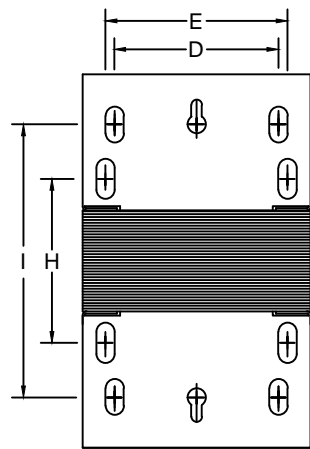
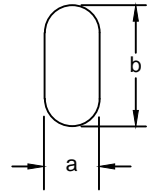


WIRING CONNECTION

PRIMARY :		
VOLTS	INTERCONNECT:	CONNECT LINES TO :
120	H1-H3 AND H2-H4	H1-H4
240	H2-H3	H1-H4
SECONDARY :		
VOLTS	INTERCONNECT:	CONNECT LINES TO :
16	X1-X3 AND X2-X4	X1-X4
32	X2-X3	X1-X4



LETTER	MOUNTING SLOTS INCHES / MM
	a b
S	0.25 x 0.500 6.4 x 12.7
T	0.25 x 0.625 6.4 x 15.9



DIMENSIONS INCHES / MM

VA	A	B	C	D	E	F	G	H	I	J	K	L	M	SHIP WEIGHT LBS / KG
200	3.45 87.6	6.13 155.7	3.75 95.3	2.25 57.2	3.13 79.5			3.25(T) 82.6	5.00(S) 127.9					7.00 3.2



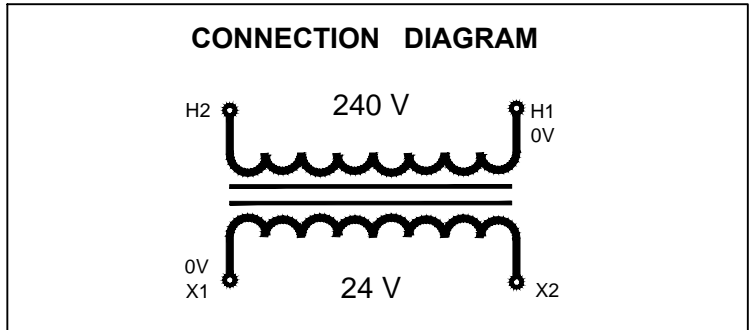
MARCUS

Marcus Transformer LTD
 Phone: 1-800-267-7376
 Fax: 1-866-205-7526
 Email: Info@marcustransformer.com

TECHNICAL DATA

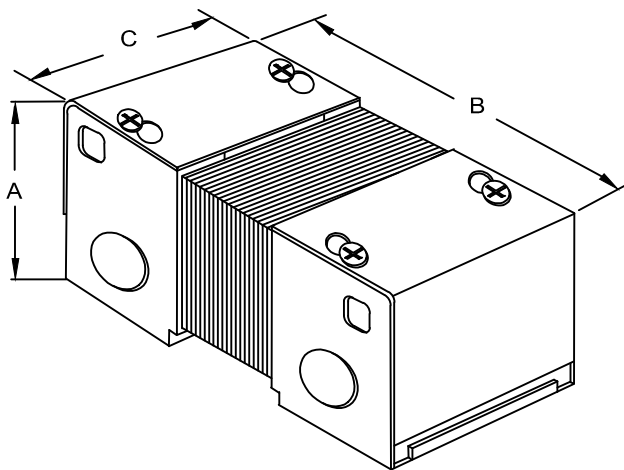
SINGLE PHASE CONTROL TRANSFORMER

DESCRIPTION	
MODEL	MC200H
Type	Enclosed, Indoor application
VA	200
Primary (Volts)	240
Secondary (Volts)	24
Input /Output Amps	0.83 / 8.33
Temperature Rise	95°C
Insulation Class	B (130°C)
Frequency	60Hz
Polarity	additive
Noise level	less than 40DB
Winding	Copper
Approvals	UL listed CSA approved

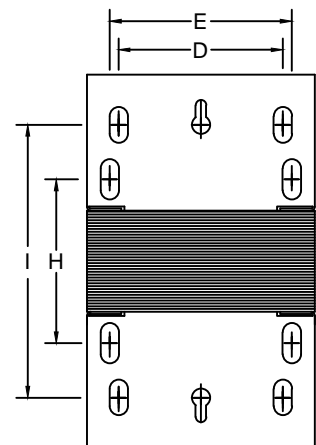
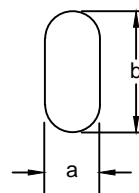


WIRING CONNECTION

PRIMARY :	
VOLTS	CONNECT LINES TO :
240	H1-H2
SECONDARY :	
VOLTS	CONNECT LINES TO :
24	X1-X2



LETTER	MOUNTING SLOTS
	INCHES / MM
	a b
S	0.25 x 0.500 6.4 x 12.7
T	0.25 x 0.625 6.4 x 15.9



DIMENSIONS INCHES / MM

VA	A	B	C	D	E	F	G	H	I	J	K	L	M	SHIP WEIGHT LBS / KG
200	3.45 87.6	6.13 155.7	3.75 95.3	2.25 57.2	3.13 79.5			3.25(T) 82.6	5.00(S) 127.9					7.00 3.2



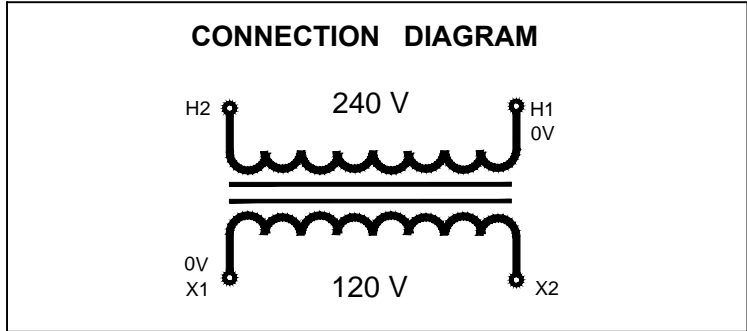
MARCUS

Marcus Transformer LTD
 Phone: 1-800-267-7376
 Fax: 1-866-205-7526
 Email: Info@marcustransformer.com

TECHNICAL DATA

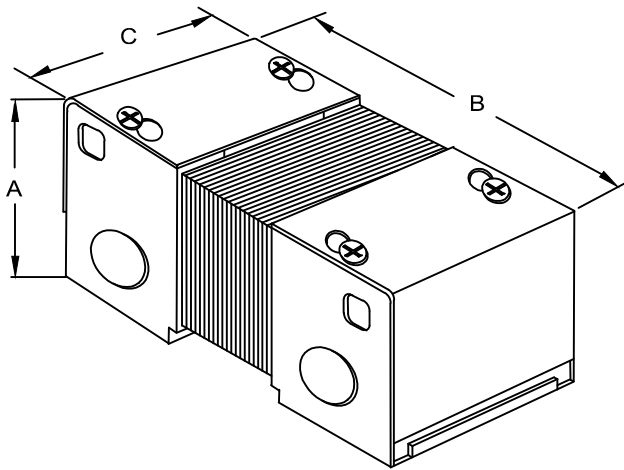
SINGLE PHASE CONTROL TRANSFORMER

DESCRIPTION	
MODEL	MC200I
Type	Enclosed, Indoor application
VA	200
Primary (Volts)	240
Secondary (Volts)	120
Input /Output Amps	0.83 / 1.67
Temperature Rise	95°C
Insulation Class	B (130°C)
Frequency	60Hz
Polarity	additive
Noise level	less than 40DB
Winding	Copper
Approvals	UL listed CSA approved

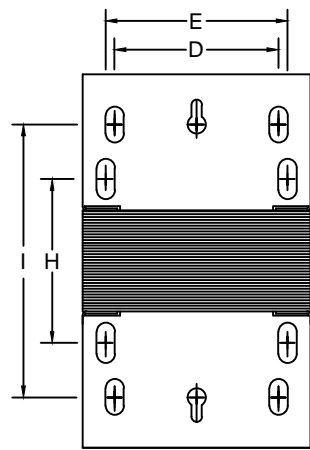
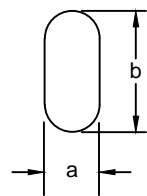


WIRING CONNECTION

PRIMARY :	
VOLTS	CONNECT LINES TO :
240	H1-H2
SECONDARY :	
VOLTS	CONNECT LINES TO :
120	X1-X2



LETTER	MOUNTING SLOTS
	INCHES / MM
	a b
S	0.25 x 0.500 6.4 x 12.7
T	0.25 x 0.625 6.4 x 15.9



DIMENSIONS INCHES / MM

VA	A	B	C	D	E	F	G	H	I	J	K	L	M	SHIP WEIGHT LBS / KG
200	3.45 87.6	6.13 155.7	3.75 95.3	2.25 57.2	3.13 79.5			3.25(T) 82.6	5.00(S) 127.9					7.00 3.2



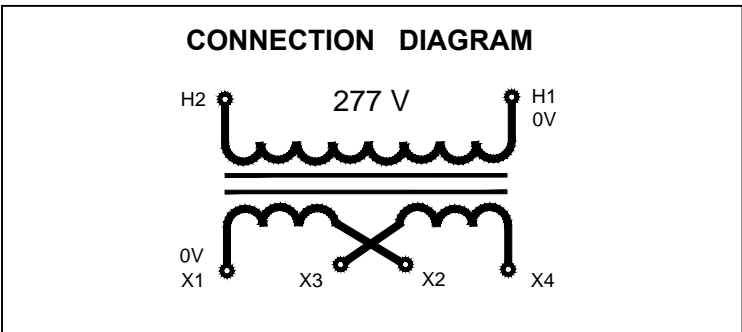
MARCUS

Marcus Transformer LTD
 Phone: 1-800-267-7376
 Fax: 1-866-205-7526
 Email: Info@marcustransformer.com

TECHNICAL DATA SINGLE PHASE CONTROL TRANSFORMER

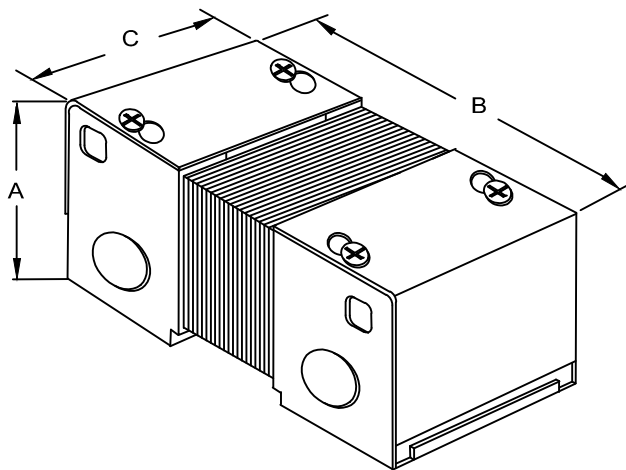
DESCRIPTION

MODEL	MC200J
Type	Enclosed, Indoor application
VA	200
Primary (Volts)	277
Secondary (Volts)	120 / 240
Input /Output Amps	0.72 / 1.67 , 0.83
Temperature Rise	95°C
Insulation Class	B (130°C)
Frequency	60Hz
Polarity	additive
Noise level	less than 40DB
Winding	Copper
Approvals	UL listed CSA approved

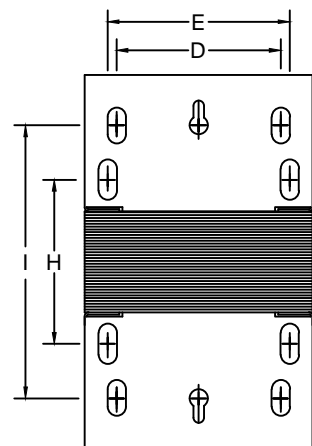
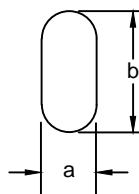


WIRING CONNECTION

PRIMARY :		
VOLTS 277	CONNECT LINES TO : H1-H2	
SECONDARY :		
VOLTS 120	INTERCONNECT: X1-X3 AND X2-X4	CONNECT LINES TO : X1-X4
240	X2-X3	X1-X4
120/240	X2-X3	X1-X3-X4



LETTER	MOUNTING SLOTS INCHES / MM
	a b
S	0.25 x 0.500 6.4 x 12.7
T	0.25 x 0.625 6.4 x 15.9



DIMENSIONS INCHES / MM

VA	A	B	C	D	E	F	G	H	I	J	K	L	M	SHIP WEIGHT LBS / KG
200	3.45 87.6	6.13 155.7	3.75 95.3	2.25 57.2	3.13 79.5			3.25(T) 82.6	5.00(S) 127.9					7.00 3.2



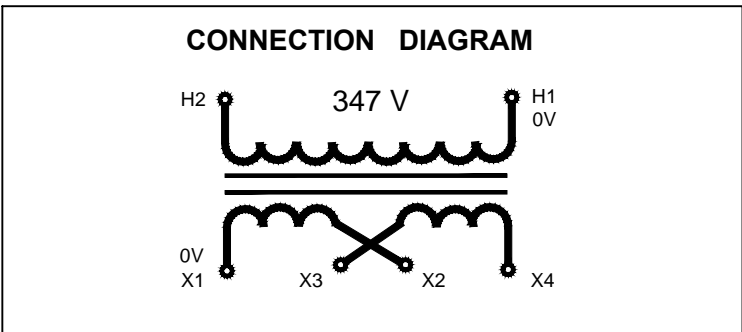
MARCUS

Marcus Transformer LTD
 Phone: 1-800-267-7376
 Fax: 1-866-205-7526
 Email: Info@marcustransformer.com

TECHNICAL DATA SINGLE PHASE CONTROL TRANSFORMER

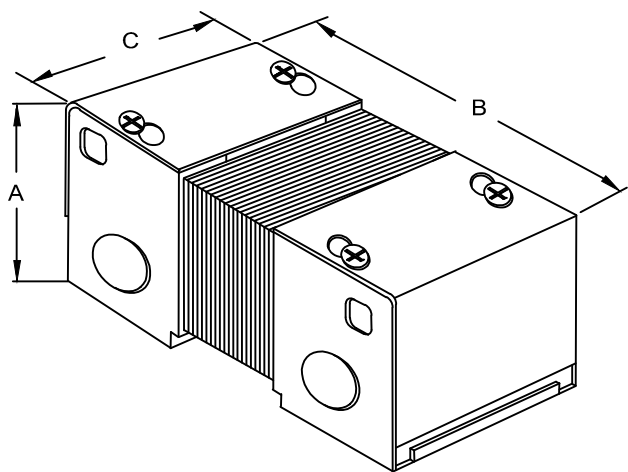
DESCRIPTION

MODEL	MC200K
Type	Enclosed, Indoor application
VA	200
Primary (Volts)	347
Secondary (Volts)	120 / 240
Input / Output Amps	0.58 / 1.67 , 0.83
Temperature Rise	95°C
Insulation Class	B (130°C)
Frequency	60Hz
Polarity	additive
Noise level	less than 40DB
Winding	Copper
Approvals	UL listed CSA approved

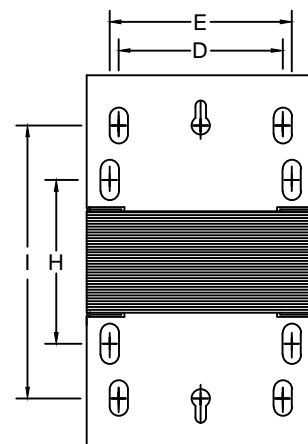
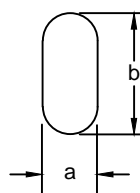


WIRING CONNECTION

PRIMARY :		
VOLTS 347	CONNECT LINES TO : H1-H2	
SECONDARY :		
VOLTS 120	INTERCONNECT: X1-X3 AND X2-X4	CONNECT LINES TO : X1-X4
240	X2-X3	X1-X4
120/240	X2-X3	X1-X3-X4



LETTER	MOUNTING SLOTS INCHES / MM
	a b
S	0.25 x 0.500 6.4 x 12.7
T	0.25 x 0.625 6.4 x 15.9



DIMENSIONS INCHES / MM

VA	A	B	C	D	E	F	G	H	I	J	K	L	M	SHIP WEIGHT LBS / KG
200	3.45 87.6	6.13 155.7	3.75 95.3	2.25 57.2	3.13 79.5			3.25(T) 82.6	5.00(S) 127.9					7.00 3.2



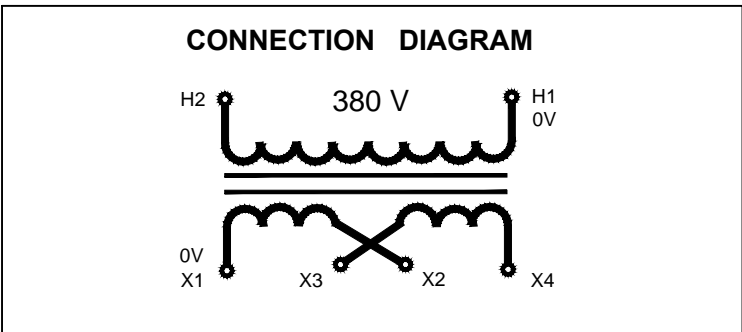
MARCUS

Marcus Transformer LTD
 Phone: 1-800-267-7376
 Fax: 1-866-205-7526
 Email: Info@marcustransformer.com

TECHNICAL DATA SINGLE PHASE CONTROL TRANSFORMER

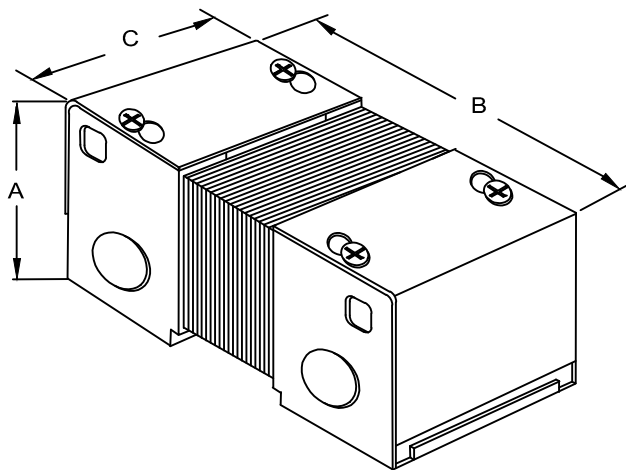
DESCRIPTION

MODEL	MC200L
Type	Enclosed, Indoor application
VA	200
Primary (Volts)	380
Secondary (Volts)	120 / 240
Input / Output Amps	0.53 / 1.67 , 0.83
Temperature Rise	95°C
Insulation Class	B (130°C)
Frequency	50 / 60Hz
Polarity	additive
Noise level	less than 40DB
Winding	Copper
Approvals	UL listed CSA approved

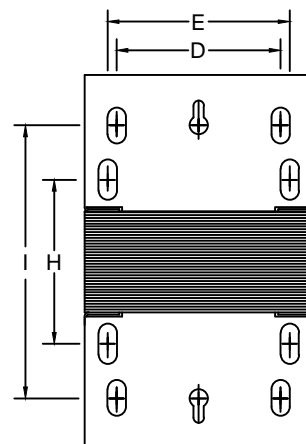
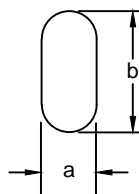


WIRING CONNECTION

PRIMARY :		
VOLTS	CONNECT LINES TO :	
380	H1-H2	
SECONDARY :		
VOLTS	INTERCONNECT:	CONNECT LINES TO :
120	X1-X3 AND X2-X4	X1-X4
240	X2-X3	X1-X4
120/240	X2-X3	X1-X3-X4



LETTER	MOUNTING SLOTS INCHES / MM
	a b
S	0.25 x 0.500 6.4 x 12.7
T	0.25 x 0.625 6.4 x 15.9



DIMENSIONS INCHES / MM

VA	A	B	C	D	E	F	G	H	I	J	K	L	M	SHIP WEIGHT LBS / KG
200	3.45 87.6	6.13 155.7	3.75 95.3	2.25 57.2	3.13 79.5			3.25(T) 82.6	5.00(S) 127.9					7.00 3.2



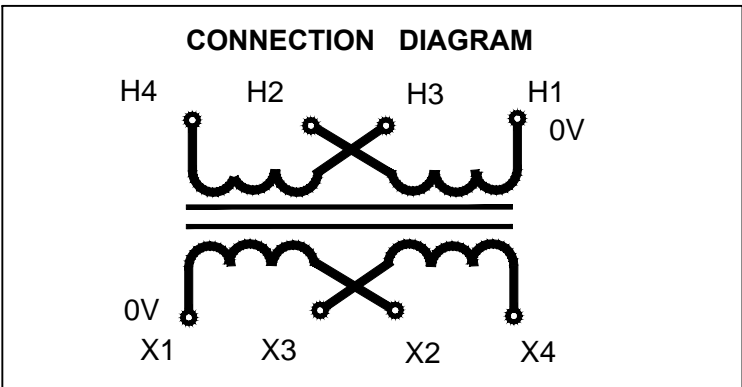
MARCUS

Marcus Transformer LTD
 Phone: 1-800-267-7376
 Fax: 1-866-205-7526
 Email: Info@marcustransformer.com

TECHNICAL DATA SINGLE PHASE CONTROL TRANSFORMER

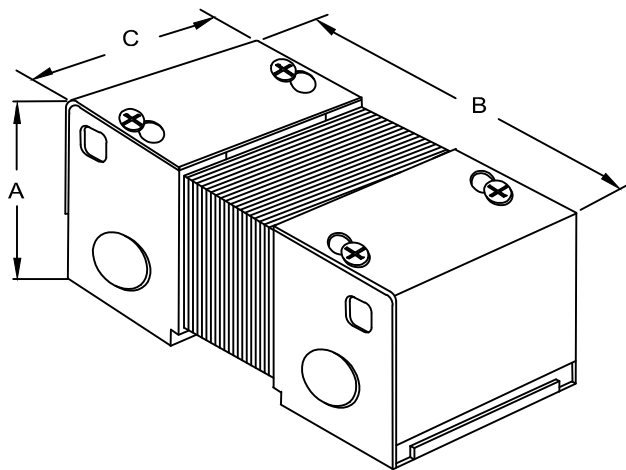
DESCRIPTION

MODEL	MC200M
Type	Enclosed, Indoor application
VA	200
Primary (Volts)	208 / 416
Secondary (Volts)	12 / 24
Input / Output Amps	0.96 , 0.48 / 16.67 , 8.33
Temperature Rise	95°C
Insulation Class	B (130°C)
Frequency	50 / 60Hz
Polarity	additive
Noise level	less than 40DB
Winding	Copper
Approvals	UL listed CSA approved

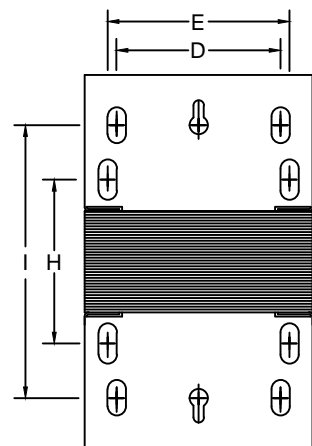
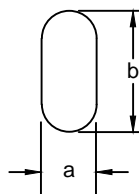


WIRING CONNECTION

PRIMARY :		
VOLTS	INTERCONNECT:	CONNECT LINES TO :
208	H1-H3 AND H2-H4	H1-H4
416	H2-H3	H1-H4
SECONDARY :		
VOLTS	INTERCONNECT:	CONNECT LINES TO :
12	X1-X3 AND X2-X4	X1-X4
24	X2-X3	X1-X4



LETTER	MOUNTING SLOTS INCHES / MM a b
S	0.25 x 0.500 6.4 x 12.7
T	0.25 x 0.625 6.4 x 15.9



DIMENSIONS INCHES / MM

VA	A	B	C	D	E	F	G	H	I	J	K	L	M	SHIP WEIGHT LBS / KG
200	3.45 87.6	6.13 155.7	3.75 95.3	2.25 57.2	3.13 79.5			3.25(T) 82.6	5.00(S) 127.9					7.00 3.2



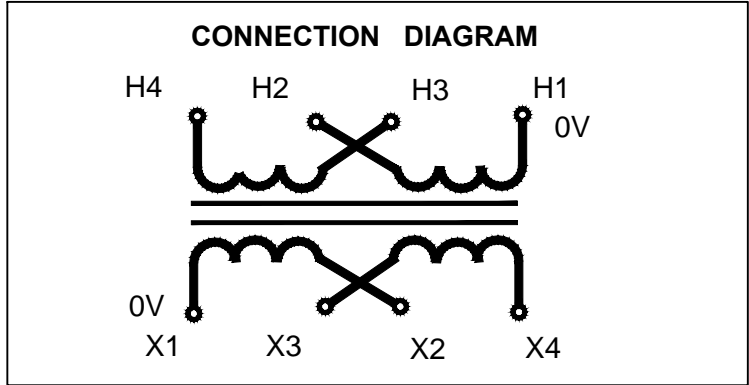
MARCUS

Marcus Transformer LTD
 Phone: 1-800-267-7376
 Fax: 1-866-205-7526
 Email: Info@marcustransformer.com

TECHNICAL DATA

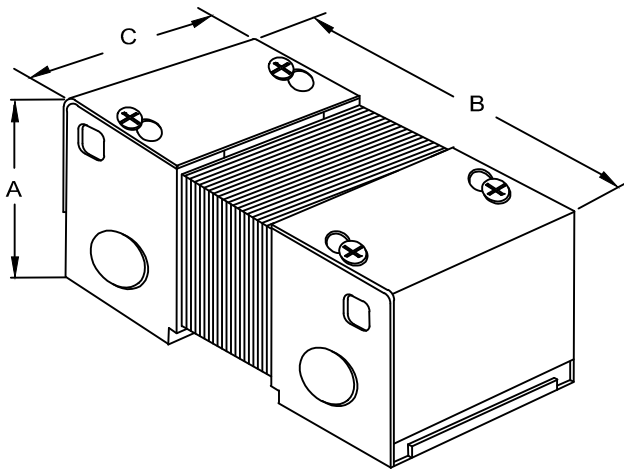
SINGLE PHASE CONTROL TRANSFORMER

DESCRIPTION	
MODEL	MC200N
Type	Enclosed, Indoor application
VA	200
Primary (Volts)	208 / 416
Secondary (Volts)	120 / 240
Input /Output Amps	0.96 , 0.48 / 1.67 , 0.83
Temperature Rise	95°C
Insulation Class	B (130°C)
Frequency	50 / 60Hz
Polarity	additive
Noise level	less than 40DB
Winding	Copper
Approvals	UL listed CSA approved

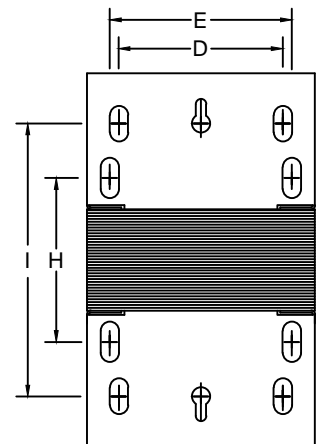
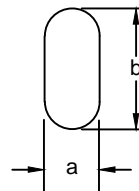


WIRING CONNECTION

PRIMARY :		
VOLTS	INTERCONNECT:	CONNECT LINES TO :
208	H1-H3 AND H2-H4	H1-H4
416	H2-H3	H1-H4
SECONDARY :		
VOLTS	INTERCONNECT:	CONNECT LINES TO :
120	X1-X3 AND X2-X4	X1-X4
240	X2-X3	X1-X4



LETTER	MOUNTING SLOTS INCHES / MM
	a b
S	0.25 x 0.500 6.4 x 12.7
T	0.25 x 0.625 6.4 x 15.9



DIMENSIONS INCHES / MM

VA	A	B	C	D	E	F	G	H	I	J	K	L	M	SHIP WEIGHT LBS / KG
200	3.45 87.6	6.13 155.7	3.75 95.3	2.25 57.2	3.13 79.5			3.25(T) 82.6	5.00(S) 127.9					7.00 3.2



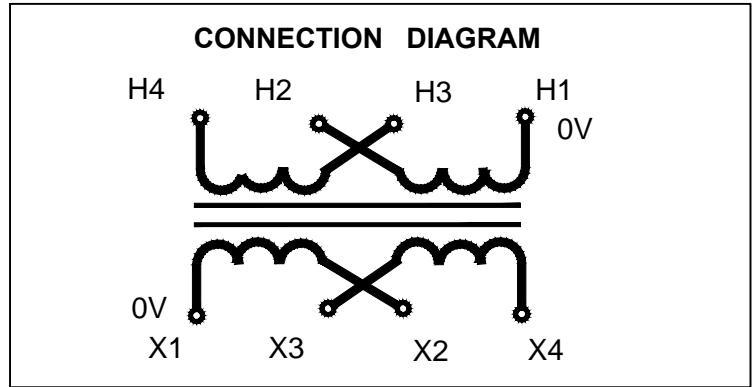
MARCUS

Marcus Transformer LTD
 Phone: 1-800-267-7376
 Fax: 1-866-205-7526
 Email: Info@marcustransformer.com

TECHNICAL DATA

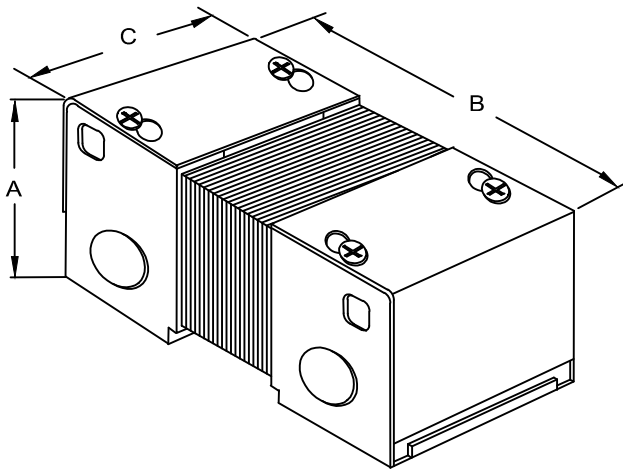
SINGLE PHASE CONTROL TRANSFORMER

DESCRIPTION	
MODEL	MC2000
Type	Enclosed, Indoor application
VA	200
Primary (Volts)	240 / 480
Secondary (Volts)	120 / 240
Input / Output Amps	0.83 , 0.42 / 1.67 , 0.83
Temperature Rise	95°C
Insulation Class	B (130°C)
Frequency	60Hz
Polarity	additive
Noise level	less than 40DB
Winding	Copper
Approvals	UL listed CSA approved

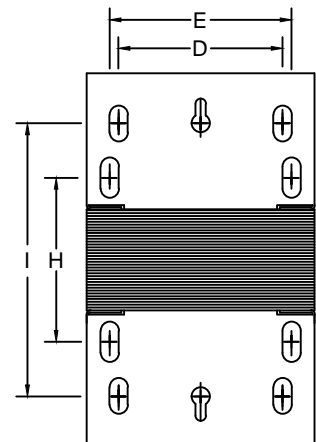
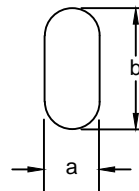


WIRING CONNECTION

PRIMARY :		
VOLTS	INTERCONNECT:	CONNECT LINES TO :
240	H1-H3 AND H2-H4	H1-H4
480	H2-H3	H1-H4
SECONDARY :		
VOLTS	INTERCONNECT:	CONNECT LINES TO :
120	X1-X3 AND X2-X4	X1-X4
240	X2-X3	X1-X4



LETTER	MOUNTING SLOTS INCHES / MM
	a b
S	0.25 x 0.500 6.4 x 12.7
T	0.25 x 0.625 6.4 x 15.9



DIMENSIONS INCHES / MM

VA	A	B	C	D	E	F	G	H	I	J	K	L	M	SHIP WEIGHT LBS / KG
200	3.45 87.6	6.13 155.7	3.75 95.3	2.25 57.2	3.13 79.5			3.25(T) 82.6	5.00(S) 127.9					7.00 3.2



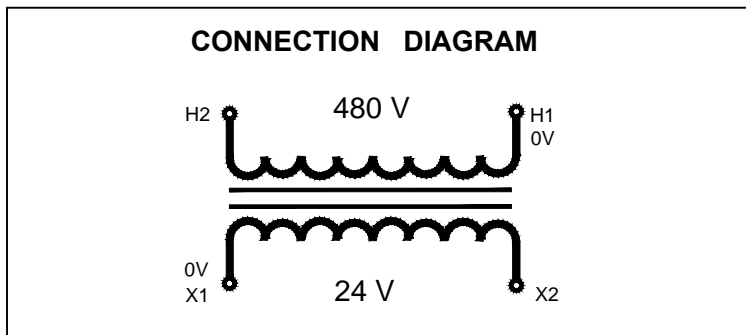
MARCUS

Marcus Transformer LTD
 Phone: 1-800-267-7376
 Fax: 1-866-205-7526
 Email: Info@marcustransformer.com

TECHNICAL DATA

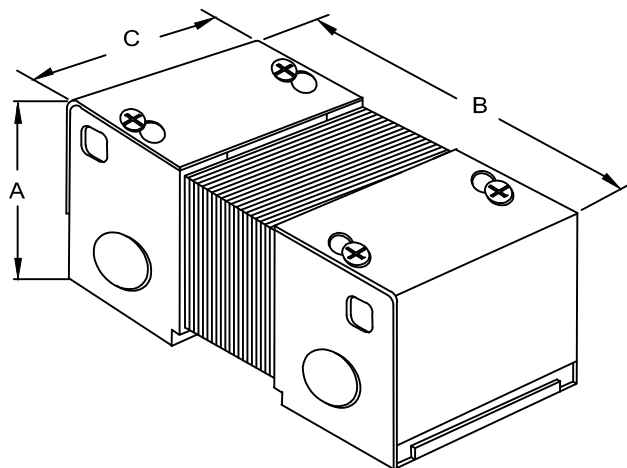
SINGLE PHASE CONTROL TRANSFORMER

DESCRIPTION	
MODEL	MC200P
Type	Enclosed, Indoor application
VA	200
Primary (Volts)	480
Secondary (Volts)	24
Input /Output Amps	0.42 / 8.33
Temperature Rise	95°C
Insulation Class	B (130°C)
Frequency	60Hz
Polarity	additive
Noise level	less than 40DB
Winding	Copper
Approvals	UL listed CSA approved

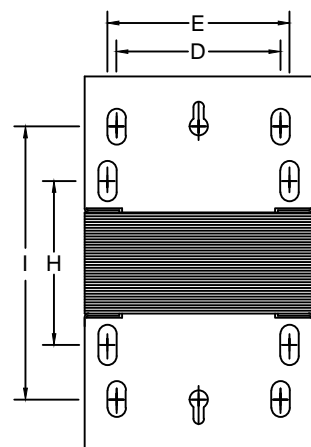
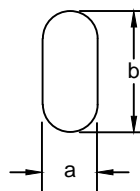


WIRING CONNECTION

PRIMARY :	
VOLTS	CONNECT LINES TO :
480	H1-H2
SECONDARY :	
VOLTS	CONNECT LINES TO :
24	X1-X2



LETTER	MOUNTING SLOTS INCHES / MM
	a b
S	0.25 x 0.500 6.4 x 12.7
T	0.25 x 0.625 6.4 x 15.9



DIMENSIONS INCHES / MM

VA	A	B	C	D	E	F	G	H	I	J	K	L	M	SHIP WEIGHT LBS / KG
200	3.45 87.6	6.13 155.7	3.75 95.3	2.25 57.2	3.13 79.5			3.25(T) 82.6	5.00(S) 127.9					7.00 3.2



MARCUS

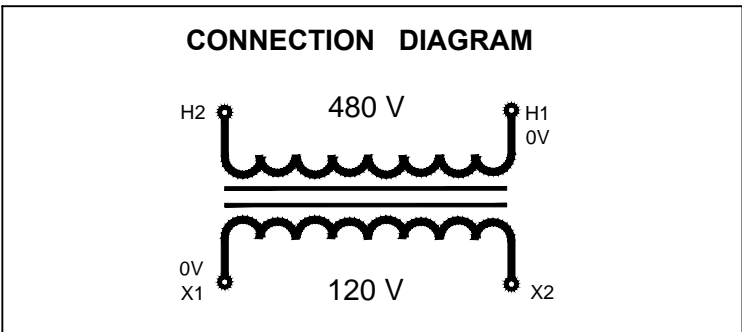
Marcus Transformer LTD
 Phone: 1-800-267-7376
 Fax: 1-866-205-7526
 Email: Info@marcustransformer.com

TECHNICAL DATA

SINGLE PHASE CONTROL TRANSFORMER

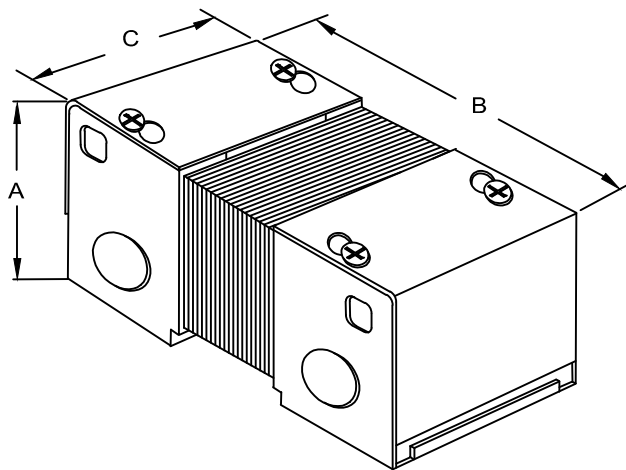
DESCRIPTION

MODEL	MC200Q
Type	Enclosed, Indoor application
VA	200
Primary (Volts)	480
Secondary (Volts)	120
Input /Output Amps	0.42 / 1.67
Temperature Rise	95°C
Insulation Class	B (130°C)
Frequency	60Hz
Polarity	additive
Noise level	less than 40DB
Winding	Copper
Approvals	UL listed CSA approved

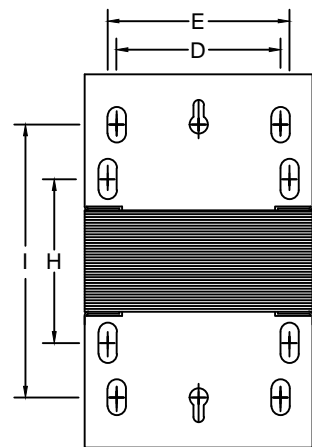
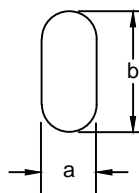


WIRING CONNECTION

PRIMARY :	
VOLTS 480	CONNECT LINES TO : H1-H2
SECONDARY :	
VOLTS 120	CONNECT LINES TO : X1-X2



LETTER	MOUNTING SLOTS INCHES / MM a b
S	0.25 x 0.500 6.4 x 12.7
T	0.25 x 0.625 6.4 x 15.9



DIMENSIONS INCHES / MM

VA	A	B	C	D	E	F	G	H	I	J	K	L	M	SHIP WEIGHT LBS / KG
200	3.45 87.6	6.13 155.7	3.75 95.3	2.25 57.2	3.13 79.5			3.25(T) 82.6	5.00(S) 127.9					7.00 3.2

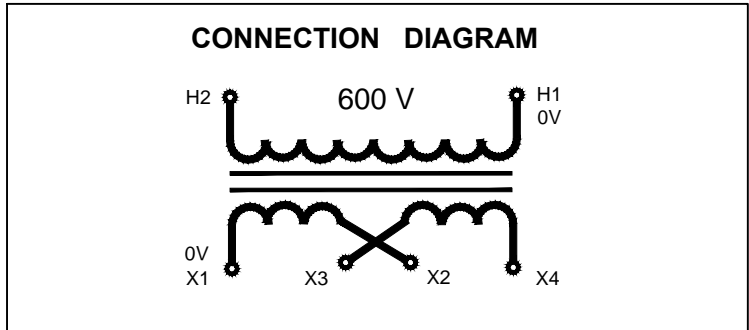


MARCUS

Marcus Transformer LTD
 Phone: 1-800-267-7376
 Fax: 1-866-205-7526
 Email: Info@marcustransformer.com

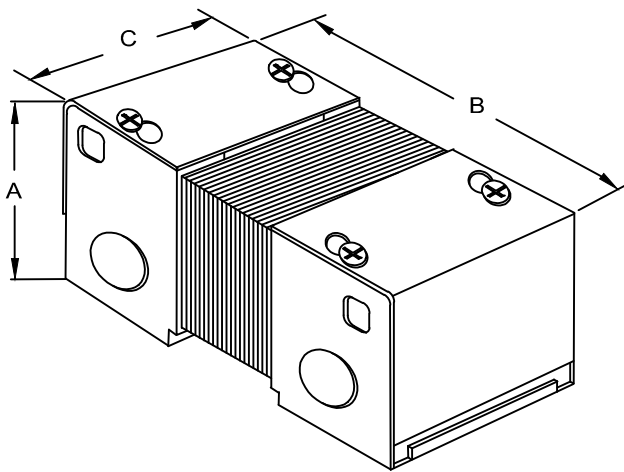
TECHNICAL DATA SINGLE PHASE CONTROL TRANSFORMER

DESCRIPTION	
MODEL	MC200R
Type	Enclosed, Indoor application
VA	200
Primary (Volts)	600
Secondary (Volts)	12 / 24
Input / Output Amps	0.33 / 16.67 , 8.33
Temperature Rise	95°C
Insulation Class	B (130°C)
Frequency	60Hz
Polarity	additive
Noise level	less than 40DB
Winding	Copper
Approvals	UL listed CSA approved

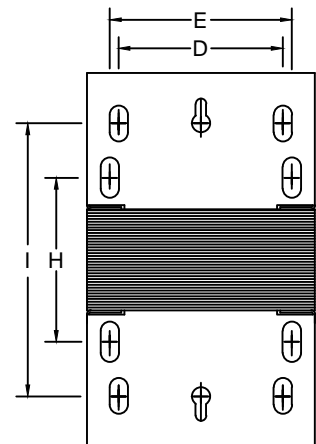
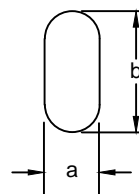


WIRING CONNECTION

PRIMARY :		
VOLTS	CONNECT LINES TO :	
600	H1-H2	
SECONDARY :		
VOLTS	INTERCONNECT:	CONNECT LINES TO :
12	X1-X3 AND X2-X4	X1-X4
24	X2-X3	X1-X4
12/24	X2-X3	X1-X3-X4



LETTER	MOUNTING SLOTS INCHES / MM
	a b
S	0.25 x 0.500 6.4 x 12.7
T	0.25 x 0.625 6.4 x 15.9



DIMENSIONS INCHES / MM

VA	A	B	C	D	E	F	G	H	I	J	K	L	M	SHIP WEIGHT LBS / KG
200	3.45 87.6	6.13 155.7	3.75 95.3	2.25 57.2	3.13 79.5			3.25(T) 82.6	5.00(S) 127.9					7.00 3.2



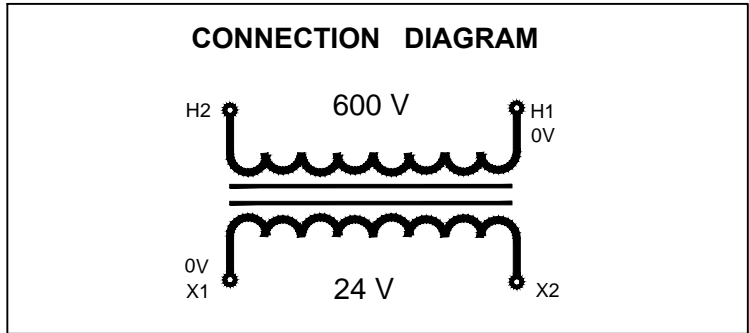
MARCUS

Marcus Transformer LTD
 Phone: 1-800-267-7376
 Fax: 1-866-205-7526
 Email: Info@marcustransformer.com

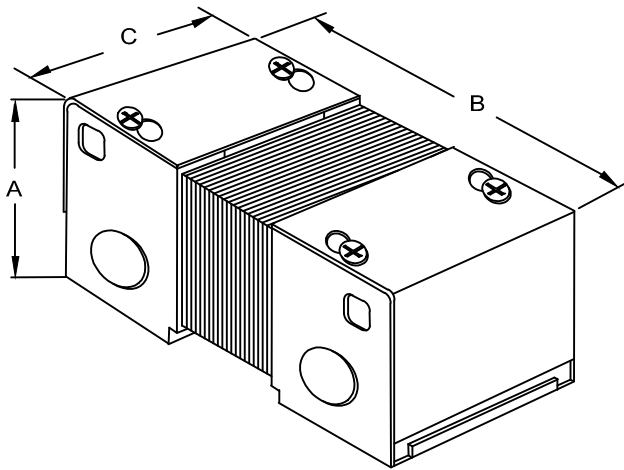
TECHNICAL DATA

SINGLE PHASE CONTROL TRANSFORMER

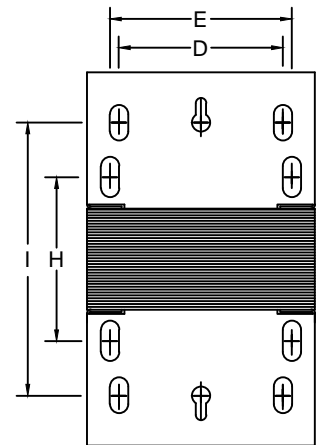
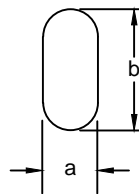
DESCRIPTION	
MODEL	MC200S
Type	Enclosed, Indoor application
VA	200
Primary (Volts)	600
Secondary (Volts)	24
Input /Output Amps	0.33 / 8.33
Temperature Rise	95°C
Insulation Class	B (130°C)
Frequency	60Hz
Polarity	additive
Noise level	less than 40DB
Winding	Copper
Approvals	UL listed CSA approved



WIRING CONNECTION	
PRIMARY :	
VOLTS 600	CONNECT LINES TO : H1-H2
SECONDARY :	
VOLTS 24	CONNECT LINES TO : X1-X2



LETTER	MOUNTING SLOTS INCHES / MM a b
S	0.25 x 0.500 6.4 x 12.7
T	0.25 x 0.625 6.4 x 15.9



DIMENSIONS INCHES / MM

VA	A	B	C	D	E	F	G	H	I	J	K	L	M	SHIP WEIGHT LBS / KG
200	3.45 87.6	6.13 155.7	3.75 95.3	2.25 57.2	3.13 79.5			3.25(T) 82.6	5.00(S) 127.9					7.00 3.2



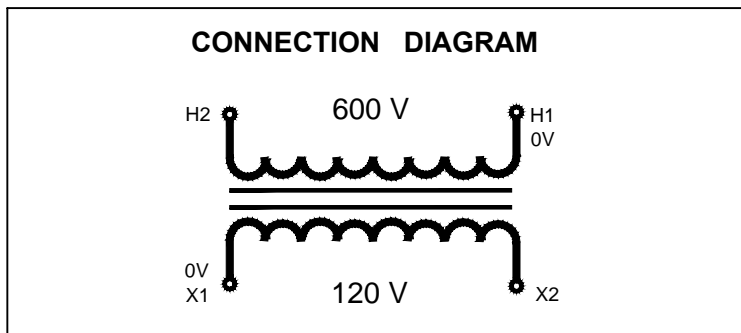
MARCUS

Marcus Transformer LTD
 Phone: 1-800-267-7376
 Fax: 1-866-205-7526
 Email: Info@marcustransformer.com

TECHNICAL DATA

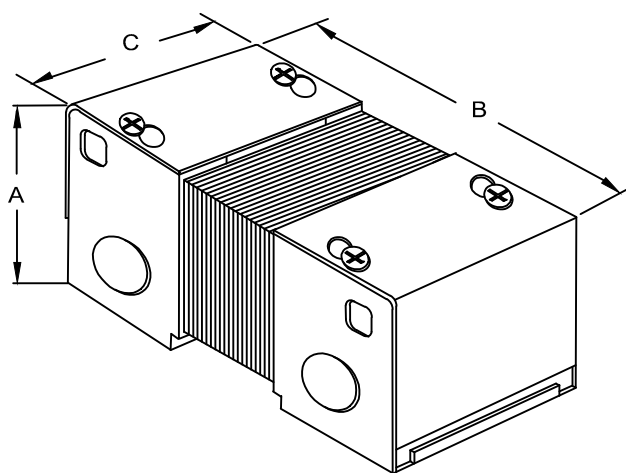
SINGLE PHASE CONTROL TRANSFORMER

DESCRIPTION	
MODEL	MC200T
Type	Enclosed, Indoor application
VA	200
Primary (Volts)	600
Secondary (Volts)	120
Input /Output Amps	0.33 / 1.67
Temperature Rise	95°C
Insulation Class	B (130°C)
Frequency	60Hz
Polarity	additive
Noise level	less than 40DB
Winding	Copper
Approvals	UL listed CSA approved

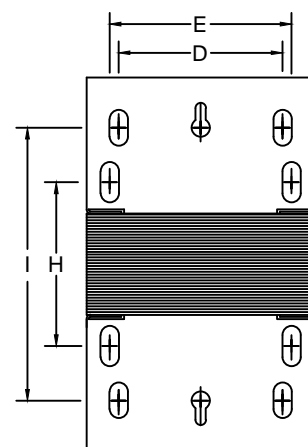
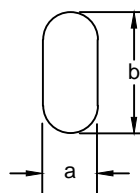


WIRING CONNECTION

PRIMARY :	
VOLTS	CONNECT LINES TO :
600	H1-H2
SECONDARY :	
VOLTS	CONNECT LINES TO :
120	X1-X2



LETTER	MOUNTING SLOTS INCHES / MM
	a b
S	0.25 x 0.500 6.4 x 12.7
T	0.25 x 0.625 6.4 x 15.9



DIMENSIONS INCHES / MM

VA	A	B	C	D	E	F	G	H	I	J	K	L	M	SHIP WEIGHT LBS / KG
200	3.45 87.6	6.13 155.7	3.75 95.3	2.25 57.2	3.13 79.5			3.25(T) 82.6	5.00(S) 127.9					7.00 3.2

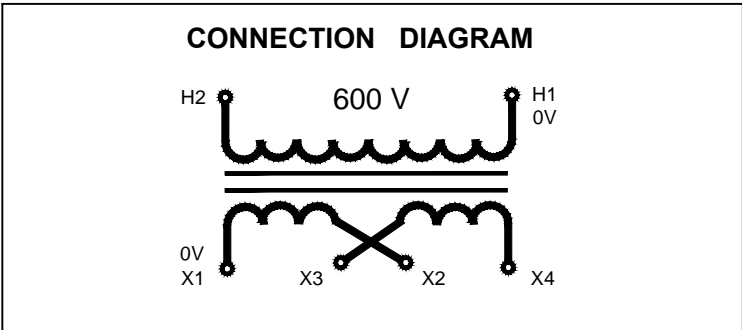


MARCUS

Marcus Transformer LTD
 Phone: 1-800-267-7376
 Fax: 1-866-205-7526
 Email: Info@marcustransformer.com

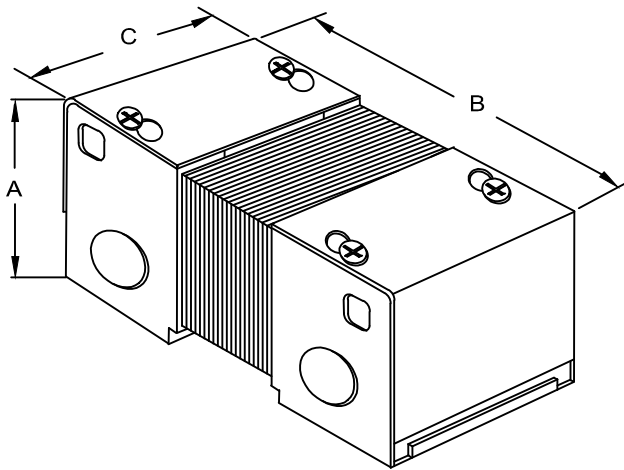
TECHNICAL DATA SINGLE PHASE CONTROL TRANSFORMER

DESCRIPTION	
MODEL	MC200V
Type	Enclosed, Indoor application
VA	200
Primary (Volts)	600
Secondary (Volts)	120 / 240
Input /Output Amps	0.33 / 1.67 , 0.83
Temperature Rise	95°C
Insulation Class	B (130°C)
Frequency	60Hz
Polarity	additive
Noise level	less than 40DB
Winding	Copper
Approvals	UL listed CSA approved

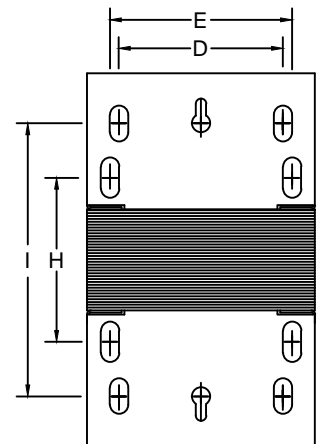
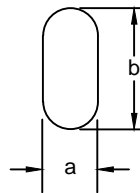


WIRING CONNECTION

PRIMARY :		
VOLTS	CONNECT LINES TO :	
600	H1-H2	
SECONDARY :		
VOLTS	INTERCONNECT:	CONNECT LINES TO :
120	X1-X3 AND X2-X4	X1-X4
240	X2-X3	X1-X4
120/240	X2-X3	X1-X3-X4



LETTER	MOUNTING SLOTS INCHES / MM
	a b
S	0.25 x 0.500 6.4 x 12.7
T	0.25 x 0.625 6.4 x 15.9



DIMENSIONS INCHES / MM

VA	A	B	C	D	E	F	G	H	I	J	K	L	M	SHIP WEIGHT LBS / KG
200	3.45 87.6	6.13 155.7	3.75 95.3	2.25 57.2	3.13 79.5			3.25(T) 82.6	5.00(S) 127.9					7.00 3.2



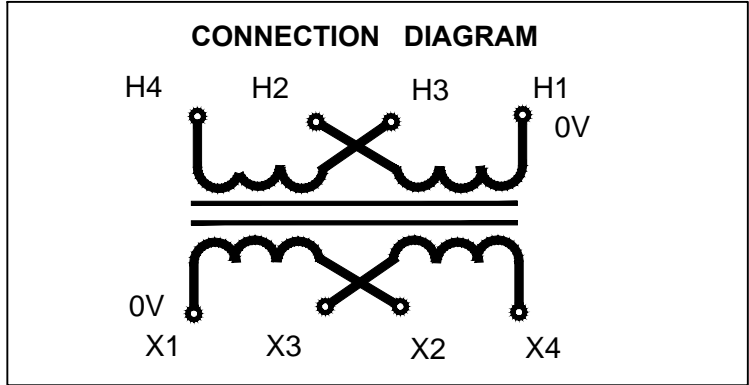
MARCUS

Marcus Transformer LTD
 Phone: 1-800-267-7376
 Fax: 1-866-205-7526
 Email: Info@marcustransformer.com

TECHNICAL DATA

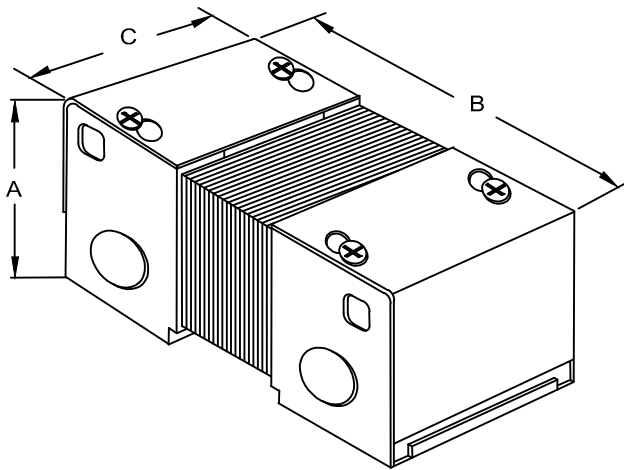
SINGLE PHASE CONTROL TRANSFORMER

DESCRIPTION	
MODEL	MC200W
Type	Enclosed, Indoor application
VA	200
Primary (Volts)	120 / 240
Secondary (Volts)	120 / 240
Input /Output Amps	1.67, 0.83 / 1.67 , 0.83
Temperature Rise	95°C
Insulation Class	B (130°C)
Frequency	50 / 60Hz
Polarity	additive
Noise level	less than 40DB
Winding	Copper
Approvals	UL listed CSA approved

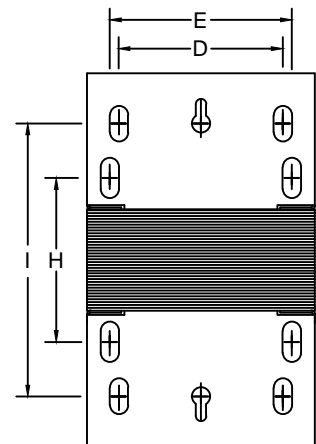
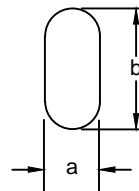


WIRING CONNECTION

PRIMARY :		
VOLTS	INTERCONNECT:	CONNECT LINES TO :
120	H1-H3 AND H2-H4	H1-H4
240	H2-H3	H1-H4
SECONDARY :		
VOLTS	INTERCONNECT:	CONNECT LINES TO :
120	X1-X3 AND X2-X4	X1-X4
240	X2-X3	X1-X4



LETTER	MOUNTING SLOTS INCHES / MM a b
S	0.25 x 0.500 6.4 x 12.7
T	0.25 x 0.625 6.4 x 15.9



DIMENSIONS INCHES / MM

VA	A	B	C	D	E	F	G	H	I	J	K	L	M	SHIP WEIGHT LBS / KG
200	3.45 87.6	6.13 155.7	3.75 95.3	2.25 57.2	3.13 79.5			3.25(T) 82.6	5.00(S) 127.9					7.00 3.2

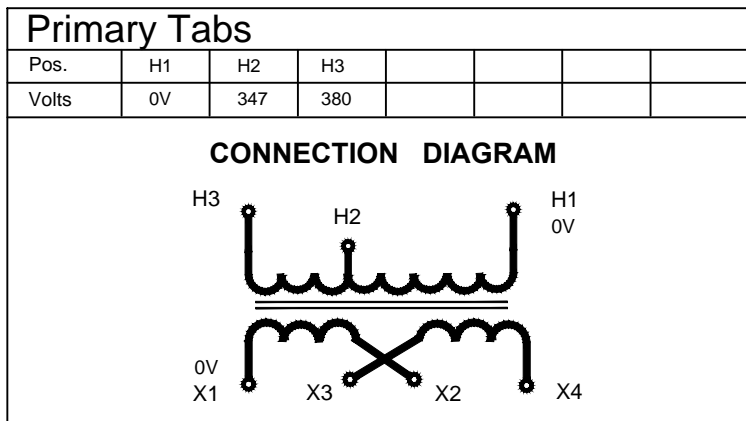


MARCUS

Marcus Transformer LTD
 Phone: 1-800-267-7376
 Fax: 1-866-205-7526
 Email: Info@marcustransformer.com

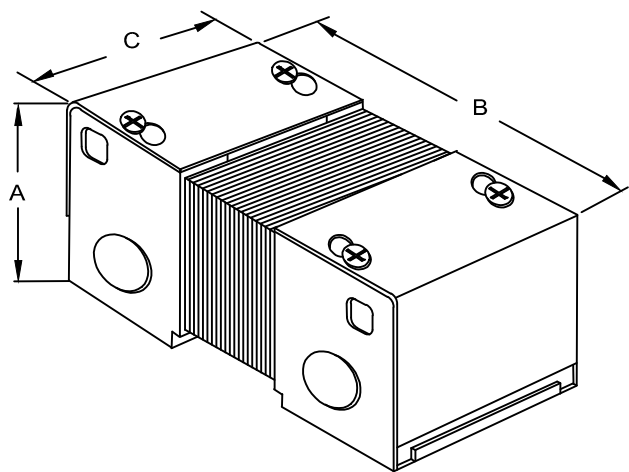
TECHNICAL DATA SINGLE PHASE CONTROL TRANSFORMER

DESCRIPTION	
MODEL	MC200X
Type	Enclosed, Indoor application
VA	200
Primary (Volts)	347 / 380
Secondary (Volts)	12 / 24
Input /Output Amps	0.58 , 0.53 / 16.67 , 8.33
Temperature Rise	95°C
Insulation Class	B (130°C)
Frequency	50 / 60Hz
Polarity	additive
Noise level	less than 40DB
Winding	Copper
Approvals	UL listed CSA approved

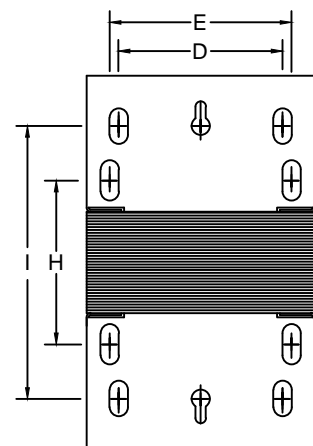
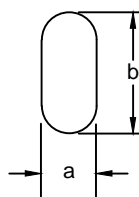


WIRING CONNECTION

PRIMARY :		
VOLTS	CONNECT LINES TO :	
347	H1-H2	
380	H1-H3	
SECONDARY :		
VOLTS	INTERCONNECT:	CONNECT LINES TO :
12	X1-X3 AND X2-X4	X1-X4
24	X2-X3	X1-X4



LETTER	MOUNTING SLOTS INCHES / MM
	a b
S	0.25 x 0.500 6.4 x 12.7
T	0.25 x 0.625 6.4 x 15.9



DIMENSIONS INCHES / MM

VA	A	B	C	D	E	F	G	H	I	J	K	L	M	SHIP WEIGHT LBS / KG
200	3.45 87.6	6.13 155.7	3.75 95.3	2.25 57.2	3.13 79.5			3.25(T) 82.6	5.00(S) 127.9					7.00 3.2