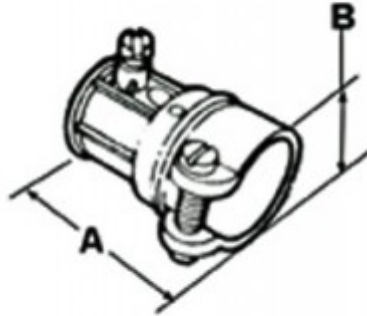


1" EMT/FMC Combination Coupling

Set screw type couplings used to join EMT to flexible metal conduit.

[Download Photo](#)[Download Drawing](#)

Product details

| | |
|-----------------------------------|-------------------------------|
| Catalog Number: | 283-DC |
| UPC Number: | 78174709283 |
| Primary Materials: | Zinc Die Cast |
| Finish: | Ball Burnished, Mirror Smooth |
| Trade Size: | 1" |
| Unit Quantity: | 10 |
| Standard Package Quantity: | 100 |

Dimensions

| | |
|----------------------|--------|
| Trade Size: | 1" |
| Dimensions A: | 2-3/16 |
| Dimensions B: | 1-7/16 |

Certifications & Codes

Federal Specification Number: A-A-50552

UL File Number: E9391

UNSPSC: 39131707

Nema Standard: FB-1

UL Standard: UL-514B