

Series Spec Sheet

LPDL CCT SELECT

LOW PROFILE DOWNLIGHT

5 color temperature selection

LPDL (Low Profile Downlight) gives you all the flexibility you need during installation, especially in confined area or when facing constraints such as wood beams, ceiling joist or air ducts. The driver is mounted separately from the light source which allows the luminaire profile to be less than 1" thick! It is the perfect all in one solution with integrated 5 color temperature selection.

FEATURES AND SPECIFICATIONS

• Construction

Finishing

- Trim finish White, Brushed nickel and Black
- Available shapes and sizes Round, 4" and 6"
- Switch on the module

• Technical specifications

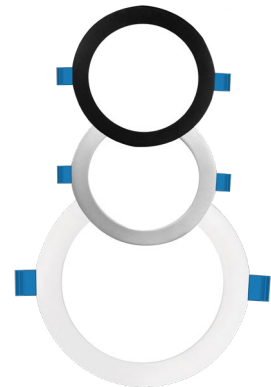
- Phase-cut dimming (TRIAC/ELV)
- Color temperature selectable:
2 700/3 000/3 500/4 000/5 000 K
- Estimated lifespan of 50 000 hours to L70
- Ambient temperature: -20°C - +45°C
- Suitable for damp location
- IC Rated
- Air tight
- 110° beam angle
- FT4 cable rating

• Compliances

- Energy Star
- ETL

OVERVIEW

Light source	LED
Watts (W)	9, 12
Lumen output (lm)	550, 800
Efficiency (lm/W)	61, 67
Color temperature (K)	5 CCT (2 700, 3 000, 3 500, 4 000, 5 000)
CRI	80+



QUICK SHIP AND TECHNICAL SPECIFICATION TABLE  ¹

Order code	Part number	Watts (W)	Volts (VAC)	Color temp. (K) ²	Lumen output (lm) ³	Efficiency (lm/W)	CRI	Life L70 (hrs) ⁴	Tested hours LM-80 (hrs) ⁴	Beam angle (°)	Cable rating	Finish	Power factor	THD (%)	Traditional equivalent (W)	Case qty (master)
4" Round																
67798	LPDL4/RND/9W/5CCT/WH/STD	9	120	2 700/3 000/3 500/4 000/5 000	550	61	80+	50 000	10 000	110	FT4	White	>0.9	20	50	24
67799	LPDL4/RND/9W/5CCT/BN/STD	9	120	2 700/3 000/3 500/4 000/5 000	550	61	80+	50 000	10 000	110	FT4	Brushed Nickel	>0.9	20	50	24
67800	LPDL4/RND/9W/5CCT/BK/STD	9	120	2 700/3 000/3 500/4 000/5 000	550	61	80+	50 000	10 000	110	FT4	Black	>0.9	20	50	24
6" Round																
67801	LPDL6/RND/12W/5CCT/WH/STD	12	120	2 700/3 000/3 500/4 000/5 000	800	67	80+	50 000	10 000	110	FT4	White	>0.9	20	60	24

¹ **QUICK SHIP:** Product availability is subject to change without notice. Please contact your Stanpro customer service representative to confirm inventory levels at time of order.

² Typical color temperature range: +/- 5 %.

³ Lumens values from Energy Star reported data.

⁴ Life hours are derived from IESNA LM-80-08 testing report and projected per IESNA TM-21-11 extrapolations.

TECHNICAL SPECIFICATION TABLE

Lumen Package	2 700 K		3 000 K		3 500 K		4 000 K		5 000 K	
	Lumen (lm)	Efficiency (lm/W)	Lumen (lm)	Efficiency (lm/W)	Lumen (lm)	Efficiency (lm/W)	Lumen (lm)	Efficiency (lm/W)	Lumen (lm)	Efficiency (lm/W)
9	669	74	688	76	688	76	709	79	744	83
12	1 000	83	1 030	86	1 030	86	1 061	88	1 114	93

ACCESSORIES¹ (order separately)

Order code	Description	Type	Opening diameter (in)	Case qty (master)
66051	ACC/MPLATE/4.25/SQR/STD	Square mounting plate	4 1/4	100
66058	ACC/MPLATE/4.25/ADJ/STD	Adjustable mounting plate	4 1/4	24
66821	ACC/MPLATE/4.25IN/HANG.BARS/STD	Mounting plate with hanger bars	4 1/4	25
66143	ACC/4/VAPOR BARRIER/STD	Vapor barrier extender	4	50
66822	ACC/MPLATE/6.25IN/HANG.BARS/STD	Mounting plate with hanger bars	6 1/4	25
64263	ACC/MPLATE/6.25IN/SQR/STD	Square mounting plate	6 1/4	96
64921	ACC/MPLATE/6.25IN/ADJ/STD	Adjustable mounting plate	6 1/4	24
66144	ACC/6/VAPOR BARRIER/STD	Vapor barrier extender	6 2/9	50
64264	LPDL/ACC/6FT/EXTCABLE/STD	6' Extension cord	-	96

¹ Includes brackets and screws.

COMPATIBLE DIMMERS

Brand	Model number
Leviton	IPL-10Z1 ¹ , IPE041 ¹ , DSM101 ¹ , 6672, 6674,
Lutron	CTCL-153P, MACL-153M, TGCL-153PH, DVCL-153P, AYCL-253P, DVCL-253P
Cooper	SAL06P1 ¹ , 9531, DAL06P, SLC063P, AAL06P

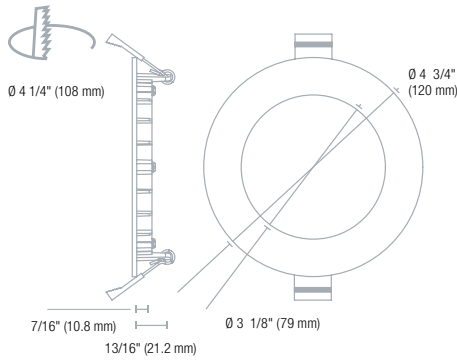
¹ Dimming range: 10%-100%

Other dimmers range: 5%-100%

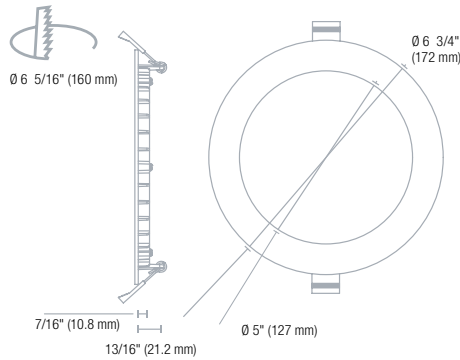
Data is based upon tests performed in a controlled environment. Actual performance can vary depending on operating conditions. All products are subject to change or may be discontinued any time without notice.

DIMENSIONS

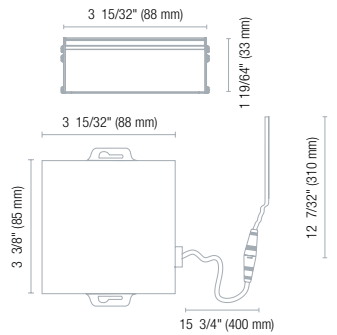
4" ROUND



6" ROUND



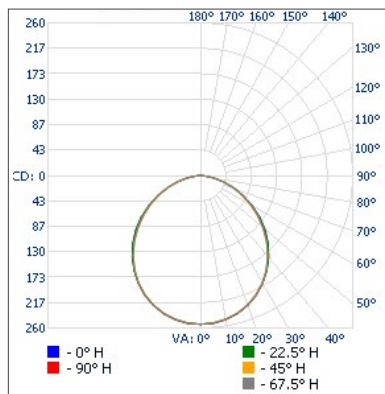
4" AND 6" LED DRIVER



PHOTOMETRIC DATA¹

67798 • LPDL4/RND/9W/5CCT/WH/STD (30K) • 687.4 lm

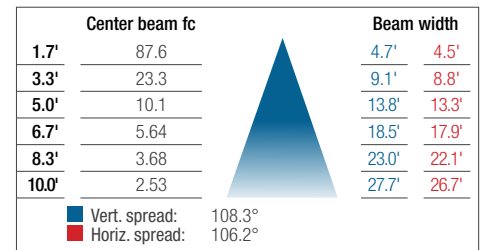
Polar candela distribution



Zonal lumen summary

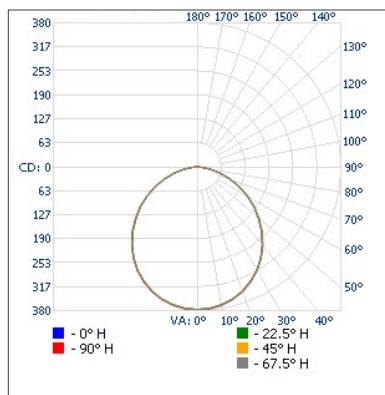
Zone	Lumens	% Fixture
0-30	195.5	28.4%
0-40	318.1	46.3%
0-60	550.1	80%
60-90	133.2	19.4%
70-100	55.7	8.1%
90-120	2.2	0.3%
0-90	683.3	99.4%
90-180	4.0	0.6%
0-180	687.4	100%

Illuminance at a distance



67801 • LPDL6/RND/12W/5CCT/WH/STD (30K) • 1 028.8 lm

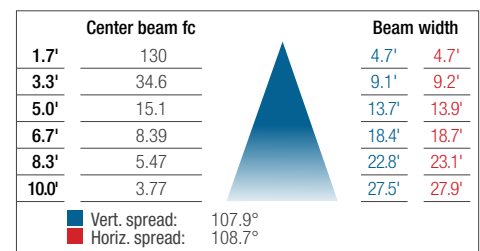
Polar candela distribution



Zonal lumen summary

Zone	Lumens	% Fixture
0-30	291.2	28.3%
0-40	474.3	46.1%
0-60	823.6	80.1%
60-90	202.2	19.7%
70-100	82.3	8%
90-120	1.1	0.1%
0-90	1 025.8	99.7%
90-180	3.0	0.3%
0-180	1 028.8	100%

Illuminance at a distance



¹ Complete IES files available on our website.

Data is based upon tests performed in a controlled environment. Actual performance can vary depending on operating conditions. All products are subject to change or may be discontinued any time without notice.