



Main

Range of product	Modicon X80
Product or component type	Discrete input module
Discrete input number	8
Discrete input type	Isolated per channel
Input type	Capacitive
Discrete input voltage	100...120 V AC
Discrete input current	5 mA

Complementary

Input compatibility	2-wire proximity sensor IEC 60947-5-2 2-wire proximity sensor IEC 61131-2 type 3
Network frequency	50/60 Hz
Network frequency limits	47...63 Hz
Sensor power supply	85...132 V
Current state 1 guaranteed	≥ 2.5 mA
Current state 0 guaranteed	≤ 1 mA
Input impedance	13000 Ohm
Insulation resistance	> 10 MOhm 500 V DC
Power dissipation in W	2.35 W
AC activation response time	10 ms
AC deactivation response time	20 ms
Typical current consumption	61 mA 3.3 V DC
MTBF reliability	1700000 H
Protection type	1 external fuse per channel 0.25 A fast blow
Status LED	1 LED (green)module operating (RUN) 1 LED per channel (green)channel diagnostic Module error (ERR) 1 LED Red 1 LED (red)module I/O
Net Weight	0.25 lb(US) (0.115 kg)

Environment

IP degree of protection	IP20
Directives	2014/35/EU - low voltage directive 2014/30/EU - electromagnetic compatibility 2012/19/EU - WEEE directive
Dielectric strength	1780 V AC at 50/60 Hz 1 min
Vibration resistance	3 gn
Shock resistance	30 gn
Ambient air temperature for storage	-40...185 °F (-40...85 °C)
Ambient air temperature for operation	32...140 °F (0...60 °C)
Relative humidity	5...95 % 131 °F (55 °C) without condensation
Operating altitude	0...2000 m 2000...5000 m with derating factor

Ordering and shipping details

Category	18160 - MODICON M340
Discount Schedule	PC34
GTIN	00785901754466
Nbr. of units in pkg.	1
Package weight(Lbs)	0.33 lb(US) (0.15 kg)
Returnability	Yes
Country of origin	FR

Packing Units

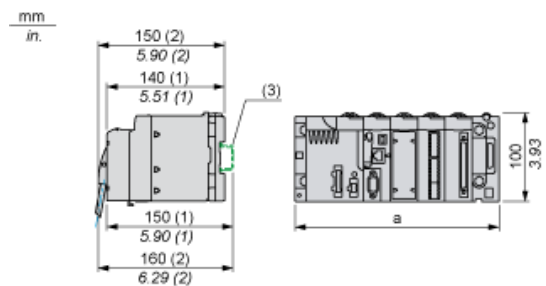
Package 1 Height	2.13 in (54.000 mm)
Package 1 width	4.33 in (110.000 mm)
Package 1 Length	4.53 in (115.000 mm)

Offer Sustainability

Sustainable offer status	Green Premium product
California proposition 65	WARNING: This product can expose you to chemicals including: Lead and lead compounds, which is known to the State of California to cause cancer and birth defects or other reproductive harm. For more information go to www.P65Warnings.ca.gov
REACH Regulation	REACH Declaration
REACH free of SVHC	Yes
EU RoHS Directive	Pro-active compliance (Product out of EU RoHS legal scope) EU RoHS Declaration
Mercury free	Yes
RoHS exemption information	Yes
China RoHS Regulation	China RoHS Declaration
Environmental Disclosure	Product Environmental Profile
Circularity Profile	End Of Life Information
WEEE	The product must be disposed on European Union markets following specific waste collection and never end up in rubbish bins.

Modules Mounted on Racks

Dimensions

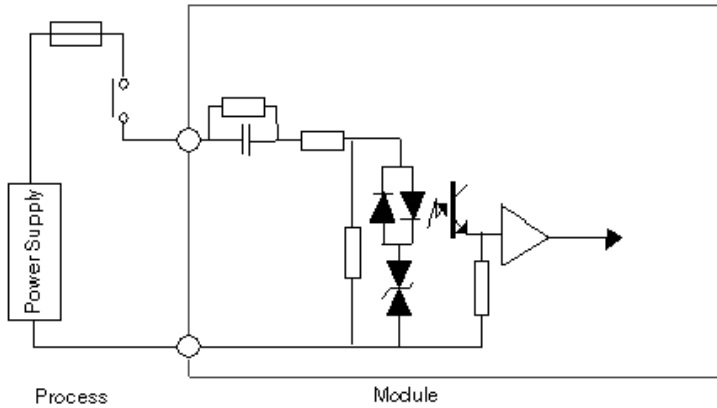


- (1) with removable terminal block (cage, screw or spring)
- (2) with FCN connector
- (3) on AM1 ED rail: 35 mm wide, 15 mm deep. Only possible with BMEXBP0400/0400H/0800/0800H/1200/1200H rack.

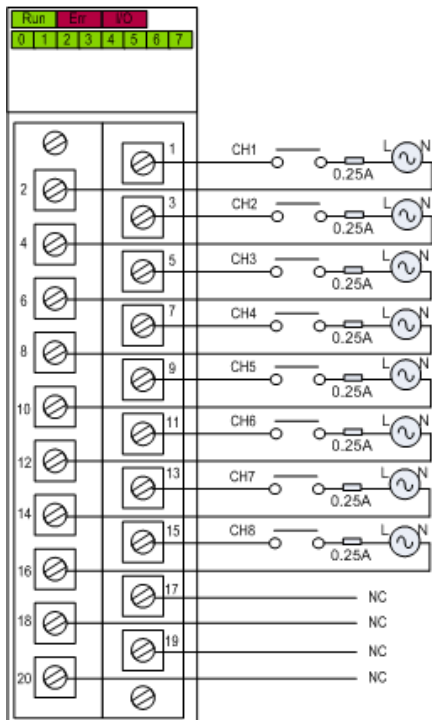
	a (in mm)	a (in in.)
BMEXBP0400 and BMEXBP0400H	242.4	09.54
BMEXBP0800 and BMEXBP0800H	372.8	14.68
BMEXBP1200 and BMEXBP1200H	503.2	19.81

Connecting the Module

Input Circuit Diagram



Module Connection



power100...120 VAC
supply:
fuse: fast blow fuse of 0.25A
NC not connected