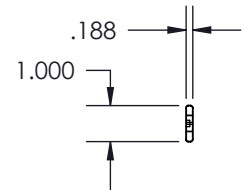
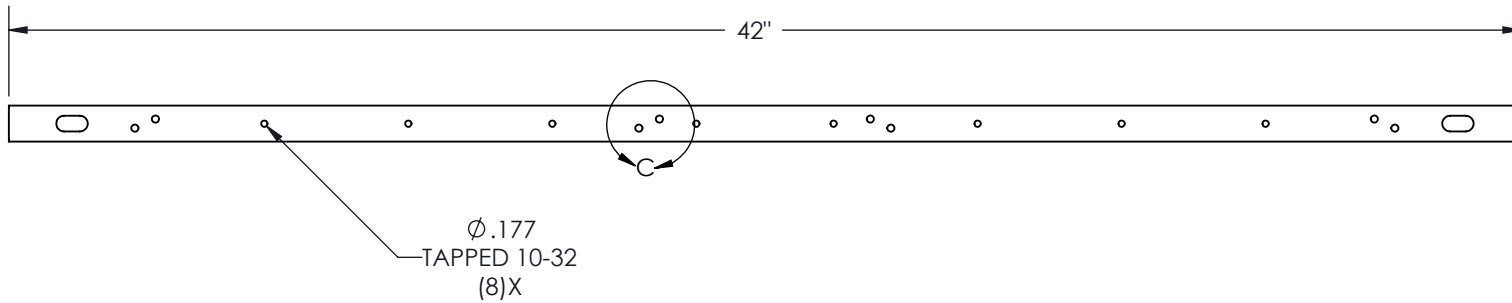
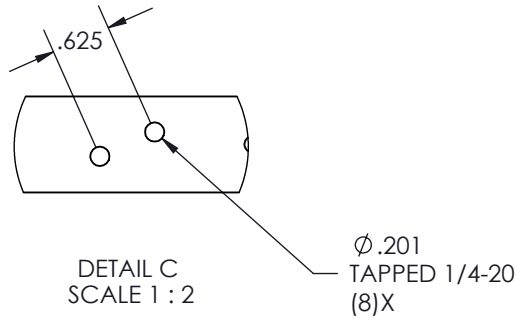



PART NO.
ELEGV2-002400



REV.	DESCRIPTION	DATE	APPR.
REVISIONS			


ELECTRON METAL
 A.I.G. Inc.

PROPRIETARY AND CONFIDENTIAL
 THE INFORMATION CONTAINED IN THIS DRAWING IS THE SOLE PROPERTY OF A.I.G. ELECTRON METAL INC. ANY REPRODUCTION IN PART OR AS A WHOLE WITHOUT THE WRITTEN PERMISSION OF A.I.G. ELECTRON METAL INC IS PROHIBITED.

DRAWN BY: E.D.	Title: COPPER BAR (42) TAPPED 1/4-20 & 10-32
CHECKED BY: E.D.	
PROJECT: Accessories\Electrical\MALT	FILE: BarreMALTVerticalCosse2Trous42_1305031215_Eng
MATL: COPPER BAR 1 x 3/16	DRAWING NO.: 1305031215
REV.: -	SCALE: 3:16
DATE: 2012-05-09	SHEET: 1 / 1